

FORGE X-LARGE SHORT PENDANT

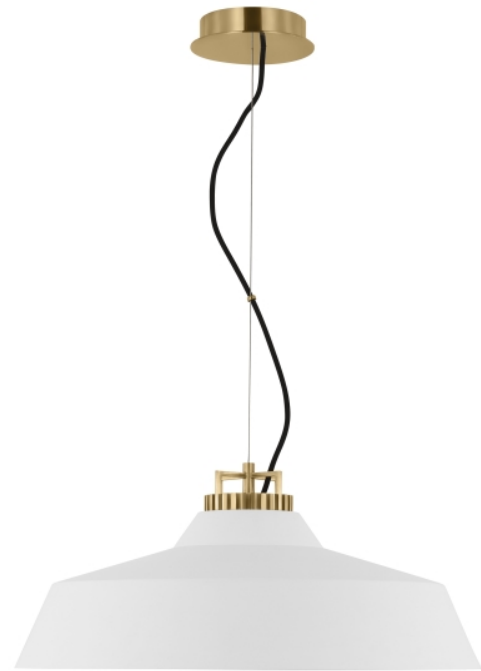
VISUAL COMFORT & CO.

PRODUCT FEATURES

- Large Scale Spun Metal Shades that works well over tables, kitchen islands, bars and a host of other applications
- Available in modern finishes
- This item is made of natural brass. It is a living finish that will patina and warm with age which adds richness. If it gets an uneven patina or spots, a brass cleaner can restore the finish
- Fully dimmable LED lighting to create the desired ambiance
- Fixture provided with six feet of field-cutable lazy black cloth cord
- The LED Driver is housed within the canopy for this product.

LAMPING

Includes 19.2 watts, 1175 total delivered lumens, 2700K LED modules. Dimmable with most LED compatible ELV, TRIAC and 0-10V dimmers. Ships with 12 feet of field-cutable black cloth cord. 120V-277V.



Matte White/Natural Brass



Matte White/Natural Brass Nightshade Black/Natural Black

ORDERING INFORMATION

| SLPD130 | COLOR TEMP | COLOR | FINISH |
|---------|------------|-------------------------------------|------------------|
| | 27 2700K | W MATTE WHITE B NIGHTSHADE BLACK | NB NATURAL BRASS |

SLPD130 _____

JOB NAME _____

NOTES _____

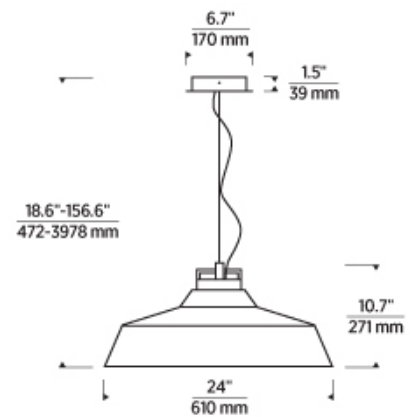


FORGE X-LARGE SHORT PENDANT

VISUAL COMFORT & Co.

SPECIFICATIONS

| | |
|-------------------------------|-------------|
| PRIMARY MATERIAL | Brass |
| SHADE MATERIAL | Aluminum |
| NET WEIGHT | 17 lbs |
| HEIGHT | 10.7in |
| WIDTH | 24in |
| LENGTH | 24in |
| UP LIGHT / DOWN LIGHT / BOTH? | |
| WET LISTED | |
| DAMP LISTED | |
| DRY LISTED | |
| MIN. HANGING HEIGHT | 18.6in |
| MAX HANGING HEIGHT | 156.6in |
| TOTAL CORD LENGTH | 144in |
| TOTAL STEM LENGTH | |
| STEM QTY | |
| SLOPED CEILING ADAPTABLE? | Yes 45° Max |
| GENERAL LISTING | ETL Listed |
| INCLUDES | |



LAMPING SPECIFICATIONS

| | LED LAMP | INTEGRATED LED | NON LED | NO LAMP |
|-----------------------|----------|--------------------------------------|---------|---------|
| DELIVERED LUMENS | | 1175 | | |
| WATTS | | 19.2 | | |
| MAX WATTAGE PER BULB | | 19.2W | | |
| | | Universal 120V-277V 0-10, ELV, TRIAC | | |
| CCT | | 2700K | | |
| CRI | | 90 CRI | | |
| LED LIFETIME | | >50000 | | |
| L70 | | | | |
| AVERAGE BULB HOURS | | | | |
| FIELD SERVICEABLE LED | | | | |
| LAMP BASE | | Integrated LED | | |
| LAMP SHAPE | | Integrated LED | | |
| LAMP INCLUDED? | | True | | |
| WARRANTY** | | 5 Years | | |

* Dimming information available at www.techlighting.com/Downloads#dimming

** Visit techlighting.com for specific warranty limitations and details.

T20 / T24 / JA8 INFORMATION

| | Integrated LED | Replacement LED Lamp | No Lamp * |
|---|----------------|----------------------|-----------|
| This product can be used to comply with California Building Energy Efficiency Standards 2016 Title 24 Part 6 / JA8. | Yes | | |
| This product can be used to comply with California Appliance Efficiency Standards 2016 Title 20 and may be shipped to and sold in California. | | | |

* If a light fixture or component does not include a lamp or light source, it is the responsibility of the customer to select a lamp that meets the T24 and T20 requirements.

