

PRODUCT FEATURES

- A modern rectangle shape and super slim frame maximize your outdoor living space and create a trendy urban area
- Modern finishes available
- Stunning option for a hall, vanity, or larger bathroom, and can be used in any room
- Die-cast aluminum structure, powder coat finish, and stainless steel hardware for robust durability in harsh elements
- This item is made of natural brass. It is a living finish that will patina and warm with age which adds richness. If it gets an uneven patina or spots, a brass cleaner can restore the finish.
- The LED Driver is housed within the junction box for this product



Clear/Natural Brass

LAMPING

Includes 10.6 watt, 296 delivered lumens, 2700K LED module.
Dimmable with most LED compatible ELV, TRIAC and 0-10V dimmers.
Mounts vertically only. Up and downlight. 120V-277V.



Clear/Natural Brass

Transparent
Smoke/Natural
Brass

Clear/Natural Brass
Alt

Transparent
Smoke/Natural
Brass Alt

ORDERING INFORMATION

SLWS106	COLOR TEMP	COLOR	FINISH
	27 2700K	C CLEAR TSM TRANSPARENT SMOKE	NB NATURAL BRASS

SLWS106 _____

JOB NAME _____

NOTES _____

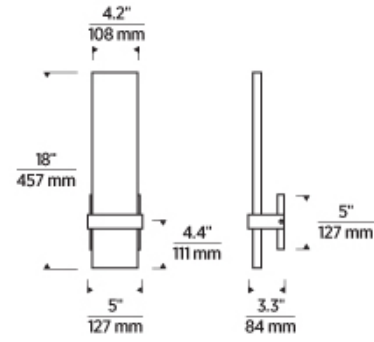


FLYTA MEDIUM SCONCE

VISUAL COMFORT & Co.

SPECIFICATIONS

PRIMARY MATERIAL	Brass
SHADE MATERIAL	Glass
NET WEIGHT	8.5 lbs
HEIGHT	18in
WIDTH	3.3in
LENGTH	5in
MIN. EXTENSION FROM WALL	3.3in
UP LIGHT / DOWN LIGHT / BOTH?	
WET LISTED	
DAMP LISTED	
DRY LISTED	
UP / DOWN	
HORIZONTAL / VERTICAL	
WALL / CEILING MOUNT	
GENERAL LISTING	ETL Listed
ADA COMPLIANT	
INCLUDES	



LAMPING SPECIFICATIONS

	LED LAMP	INTEGRATED LED	NON LED	NO LAMP
DELIVERED LUMENS		296		
WATTS		10.6		
MAX WATTAGE PER BULB		10.6W		
		Universal 120V-277V 0-10, ELV, TRIAC		
CCT		2700K		
CRI		90 CRI		
LED LIFETIME				
L70		>50000		
AVERAGE BULB HOURS				
FIELD SERVICEABLE LED				
LAMP BASE		Integrated LED		
LAMP SHAPE		Integrated LED		
LAMP INCLUDED?		True		
WARRANTY**		5 Years		

* Dimming information available at www.techlighting.com/Downloads#dimming

** Visit techlighting.com for specific warranty limitations and details.

T20 / T24 / JA8 INFORMATION

	Integrated LED	Replacement LED Lamp	No Lamp *
This product can be used to comply with California Building Energy Efficiency Standards 2016 Title 24 Part 6 / JA8.	Yes		
This product can be used to comply with California Appliance Efficiency Standards 2016 Title 20 and may be shipped to and sold in California.	N/A		

* If a light fixture or component does not include a lamp or light source, it is the responsibility of the customer to select a lamp that meets the T24 and T20 requirements.

