

Crosby Medium Wall

700WSCRBY_ 1.0

VISUAL COMFORT & Co.

MODERN COLLECTION

GENERAL PRODUCT INFORMATION:

These fixtures are intended to be installed utilizing NEC compliant junction boxes.

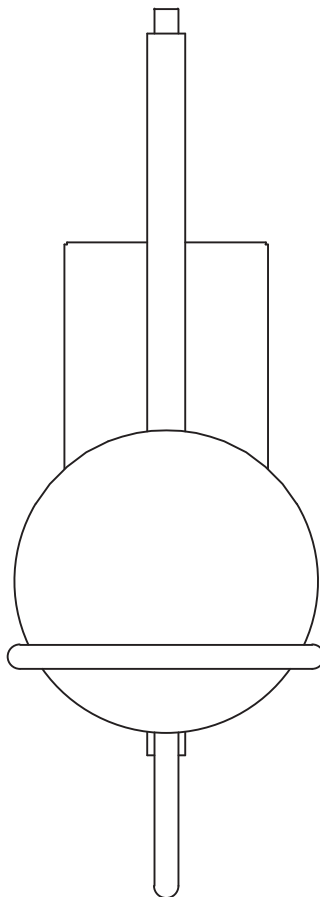
This product is suitable for damp locations.

This instruction shows a typical installation.



CAUTION - RISK OF FIRE
This product must be installed in accordance with the applicable installation code by a person familiar with the construction and operation of the product and the hazards involved.
Use minimum 90°C supply conductors.

SAVE THESE INSTRUCTIONS!



VISUAL COMFORT & Co.

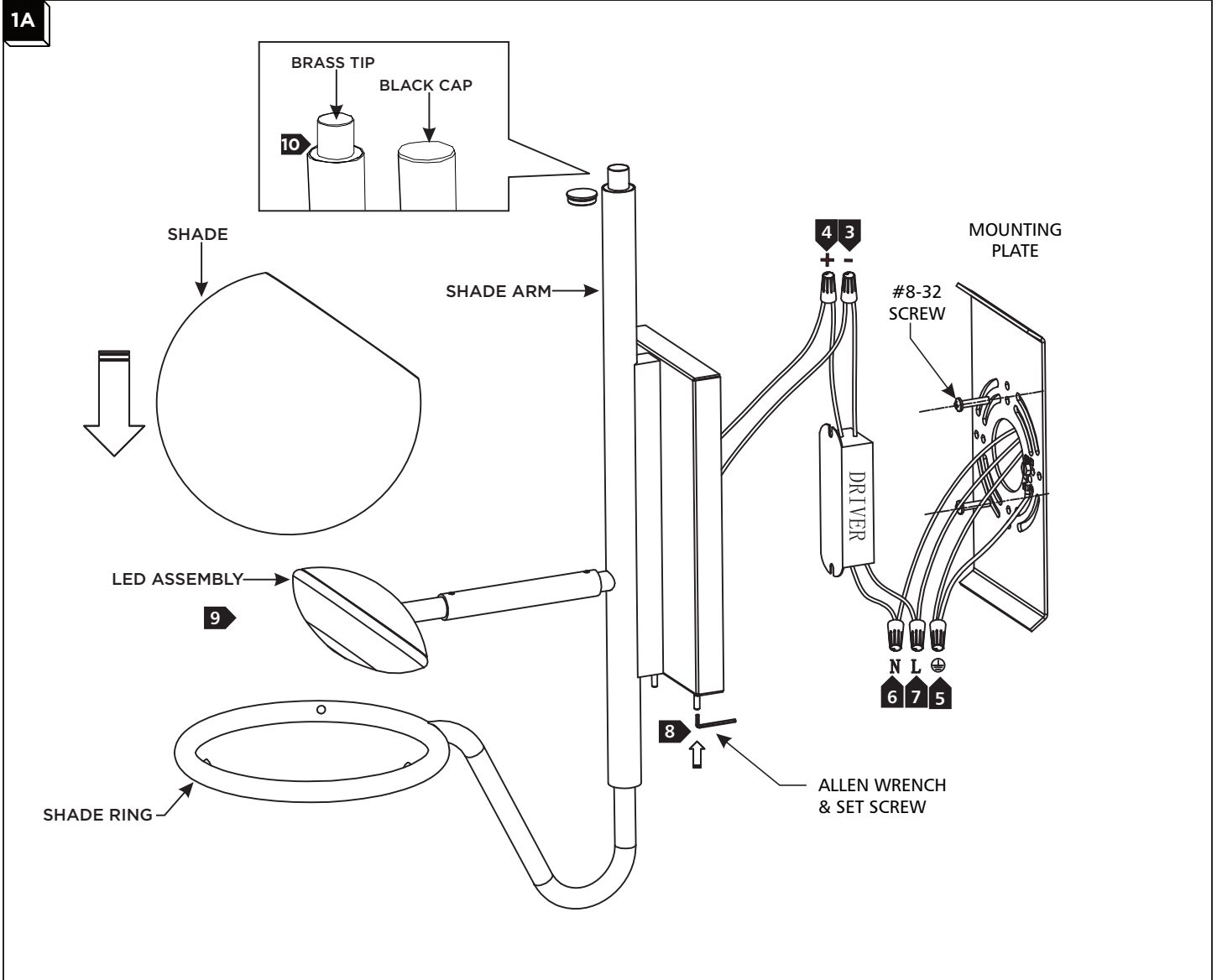
7400 Linder Ave., Skokie, IL 60077

T 847.410.4400 | F

847.410.4500

www.visualcomfort.com

Install the Fixture



- 1** With the provided Allen wrench, loosen (do not remove) the set screws on the fixture base.
- 2** Remove the mounting plate from the fixture base and secure it to the junction box with the two provided #8-32 screws.
- 3** Connect the negative (-) fixture wire to the negative (-) driver input wire with a wire nut.
- 4** Connect the positive (+) fixture wire to the positive (+) driver input wire with a wire nut.
- 5** Connect the fixture to a suitable ground in accordance with local electrical codes.
- 6** Connect the white driver output wire to the neutral power line with a wire nut.
- 7** Connect the black driver output wire to the hot power line with a wire nut.
- 8** Properly place the driver, all wires, and wire nut connections into the fixture/junction box, mount the fixture base onto the mounting plate and secure it in place by tightening the set screws using the provided Allen wrench.
- 9** Install the shades onto the LED assemblies and place them securely in the shade ring.
- 10** The brass tip on top of the shade arms may be replaced with the black caps if desired.