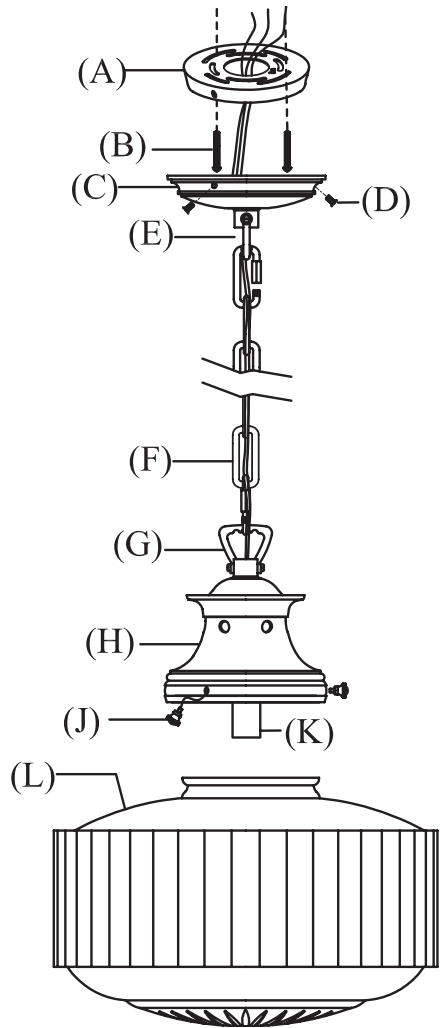


ASSEMBLY INSTRUCTIONS



Milton Road Flush Mount

Item # TOB5150

WE RECOMMEND INSTALLATION OF THIS LIGHTING FIXTURE BE DONE BY A LICENSED ELECTRICIAN.

WARNING * SWITCH OFF THE MAIN ELECTRICAL SUPPLY FROM THE MAIN FUSE BOX/CIRCUIT BREAKER BEFORE INSTALLATION.**

INSPECT ITEM CAREFULLY BEFORE ATTEMPTING TO INSTALL. IF THERE IS ANY DAMAGE OR OBVIOUS DEFECT, DO NOT INSTALL.

ITEM MAY NOT BE RETURNED ONCE IT HAS BEEN INSTALLED.

TO USE AS A PENDANT:

1. Remove mounting plate (A) from canopy (C) by unscrewing the canopy screws (D). Attach chain (F) to top loop (G) on shade holder (H) by opening/closing end link of chain. Attach chain (F) to mounting loop (E) of canopy (C).
2. Feed wire through chain (F) and loop (E).
3. Attach mounting plate (A) to ceiling outlet box using mounting screws (B). Gently pull the wiring from the ceiling outlet box and allow the wires to hang. Thread the wires through the center hole in the mounting plate.
4. Attach the ground wire (silver or brass in color) from the fixture to the ground junction box wire (usually green or copper wire). Fasten together with a plastic wire connector and wrap the connection with electrical tape. BE SURE NO WIRE STRANDS ARE EXPOSED. IT IS IMPERATIVE THAT THE OUTLET BOX IN YOUR HOME BE PROPERLY GROUNDED.
5. Connect the neutral wire from the fixture (ridged moled wire) to the neutral wire from the junction box (usually white). Fasten together with a plastic wire connector and wrap the connection with electrical tape. BE SURE NO WIRE STRAND ARE EXPOSED.
6. Connect the hot wire from the fixture (smooth wire) to the hot wire (usually black) from the junction box. Fasten each together and wrap the connection with electrical tape. BE SURE NO WIRE STRAND ARE EXPOSED. DO NOT REVERSE THE HOT NEUTRAL CONNECTIONS OR SAFETY WILL BE COMPROMISED.
7. Attach mounting canopy (C) to mounting plate (A) and secure with canopy screws (D).



VISUAL COMFORT & Co. Est. 1987

ASSEMBLY INSTRUCTIONS

Milton Road Flush Mount

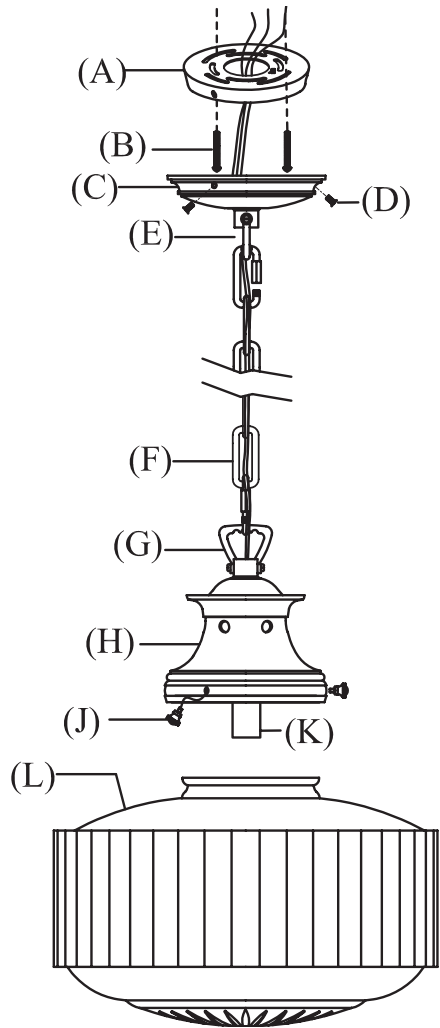
Item # TOB5150

WE RECOMMEND INSTALLATION OF THIS LIGHTING FIXTURE BE DONE BY A LICENSED ELECTRICIAN.

WARNING * SWITCH OFF THE MAIN ELECTRICAL SUPPLY FROM THE MAIN FUSE BOX/CIRCUIT BREAKER BEFORE INSTALLATION.**

INSPECT ITEM CAREFULLY BEFORE ATTEMPTING TO INSTALL. IF THERE IS ANY DAMAGE OR OBVIOUS DEFECT, DO NOT INSTALL.

ITEM MAY NOT BE RETURNED ONCE IT HAS BEEN INSTALLED.



8. Insert light bulb (not included) into the socket (K).
9. Loosen thumbscrews (J) on shadeholder (H), attach glass shade (L) to shade holder (H) and secure with thumbscrews (J)
NOTE: For adjustment purpose, there are three concave sections on top loop (G), if the glass shade is not balancing, change end of link of chain (F) to the next concave section.

ASSEMBLY INSTRUCTIONS

Milton Road Flush Mount

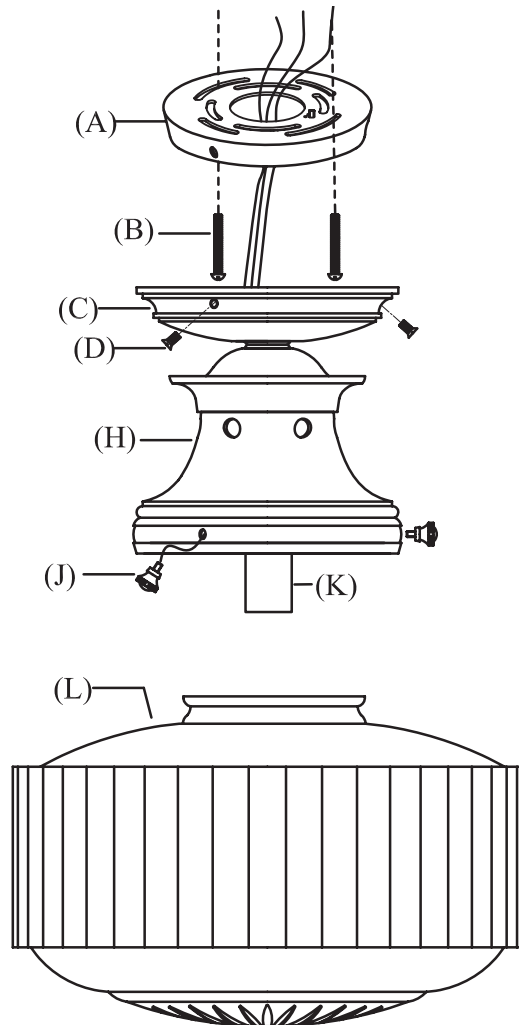
Item # TOB5150

WE RECOMMEND INSTALLATION OF THIS LIGHTING FIXTURE BE DONE BY A LICENSED ELECTRICIAN.

WARNING * SWITCH OFF THE MAIN ELECTRICAL SUPPLY FROM THE MAIN FUSE BOX/CIRCUIT BREAKER BEFORE INSTALLATION.**

INSPECT ITEM CAREFULLY BEFORE ATTEMPTING TO INSTALL. IF THERE IS ANY DAMAGE OR OBVIOUS DEFECT, DO NOT INSTALL.

ITEM MAY NOT BE RETURNED ONCE IT HAS BEEN INSTALLED.



TO USE AS A FLUSH MOUNT:

1. Remove mounting loop (E), top loop (G) and chain (F).
2. Attach mounting canopy (C) to top of shade holder (H) with hex screw.
3. Remove mounting plate (A) from canopy (C) by unscrewing the canopy screws (D).
4. Follow steps 3 – 9 from "TO USE AS A PENDANT" assembly instructions.