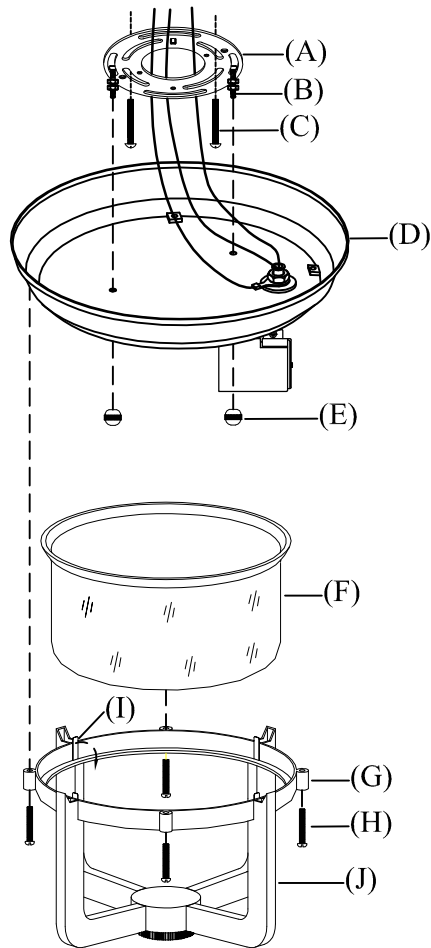


TOB4011

ASSEMBLY & INSTALLATION GUIDE



WE RECOMMEND INSTALLATION OF THIS LIGHTING FIXTURE BE DONE BY A LICENSED ELECTRICIAN.

WARNING * SWITCH OFF THE MAIN ELECTRICAL SUPPLY FROM THE MAIN FUSE BOX/CIRCUIT BREAKER BEFORE INSTALLATION.**

INSPECT ITEM CAREFULLY BEFORE ATTEMPTING TO INSTALL. IF THERE IS ANY DAMAGE OR OBVIOUS DEFECT, DO NOT INSTALL.

ITEM MAY NOT BE RETURNED ONCE IT HAS BEEN INSTALLED.

1. Remove glass holder (J) from fixture base (D) by unscrewing screws (H).
2. Remove mounting plate (A) from fixture base (D) by unscrewing cap nuts (E).
3. Affix mounting plate (A) to ceiling outlet box and secure with mounting screws (C).
4. Attach ground (green) wire to ground wire from wall outlet box (usually green or copper in color), fasten together with a plastic wire connector.
5. Tightly wrap the wire connector with electrical tape so the end of the connector is sealed.

IT IS IMPERATIVE THAT THE OUTLET BOX IN YOUR HOME BE PROPERLY GROUNDED.

6. Connect neutral (white) fixture wire coming from fixture base to neutral (usually white) outlet wire.
7. Fasten both wires together with a plastic wire (D) connector and tightly wrap the wire connector with electrical tape.
8. Repeat the procedure with the hot (black) wires. Always make sure that no wire strands are left outside the connectors.

DO NOT REVERSE THE HOT AND NEUTRAL CONNECTIONS OTHERWISE SAFETY WILL BE COMPROMISED.

9. Attach fixture base (D) to affixed mounting plate (A), letting rods (B) pass through the holes on fixture base (D), and secure with cap nuts (E).
10. Place glass shade (F) into glass holder (J), bending tabs (I) downwards to secure glass shade.
11. Insert light bulb into socket. Attach glass holder (J) with glass shade to fixture base (D), aligning the holes on parts (G) with the bottom holes on fixture base (D) and secure with set screws (H).

12. INSTRUCTIONS FOR MOUNTING FIXTURE OUTDOORS AND/OR IN WET LOCATION:

Mounting surface should be clean, dry, flat and 1 1/4" larger than canopy/fixture base on all sides. Any gaps between the mounting surface and canopy exceeding 3/16" should be corrected as required.

With silicone (ex. GE-108) caulking compound, caulk completely around where back of canopy meets the wall surface to prevent water from seeping into outlet box.

13. TO CHANGE THE LIGHT BULB:

Remove the glass holder (J) with glass shade (F) by unscrewing the set screws (H). Insert the light bulb into socket, and replace the screws and glass holder.