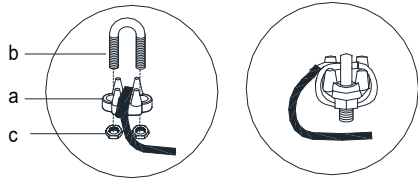
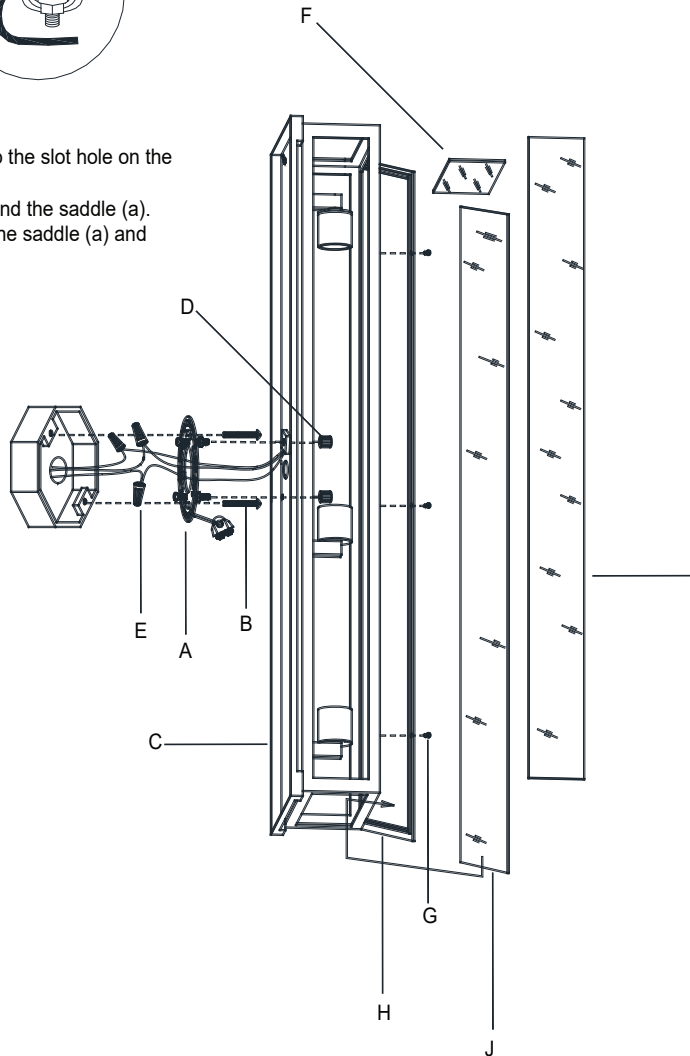


ASSEMBLY INSTRUCTIONS



Install safety cable:

1. Wrap the safety cable into the slot hole on the mounting plate (A).
2. Wrap the safety cable round the saddle (a).
3. Insert U-boit clip (b) into the saddle (a) and secure with the nuts (c).



Mercer Long Box Light Sconce

Item # TOB2005

WE RECOMMEND INSTALLATION OF THIS LIGHTING FIXTURE BE DONE BY A LICENSED ELECTRICIAN.

WARNING*SWITCH OFF THE MAIN ELECTRICAL SUPPLY FROM THE MAIN FUSE BOX/CIRCUIT BREAKER BEFORE INSTALLATION.**

INSPECT ITEM CAREFULLY BEFORE ATTEMPTING TO INSTALL. IF THERE IS ANY DAMAGE OR OBVIOUS DEFECT. DO NOT INSTALL.

ITEM MAY NOT BE RETURNED ONCE IT HAS BEEN INSTALLED.

NOTE: CAREFULLY UNPACK EACH PIECE IN TOP LAYER OF PACKING PRIOR TO REMOVING. RETAIN ALL PACKING MATERIAL UNTIL INSPECTION AND INSTALLATION ARE FINAL.

1. Carefully remove all parts from the box.
2. Remove the mounting plate (A) from the fixture body (C) by loosening the knurled nuts (D).
3. Install the mounting plate (A) to the junction box with the mounting screws (B) provided.
4. Install the glass panels (F) & (I) to the sides of the fixture body (C) and secure by bending metal tabs inside.
5. Connect the safety cable as shown in figure.
6. Wrap the fixture ground wire to the green ground screw on the mounting plate (A) and secure, then connect to the ground wire in the junction box using the wire nut (E).
IT IS IMPERATIVE THAT THIS FIXTURE BE GROUNDED.
7. Connect the fixture white wire to the neutral wire in the junction box using the wire nut (E).
8. Connect the fixture black wire to the hot wire in the junction box using the wire nut (E).
DO NOT REVERSE THE HOT AND NEUTRAL CONNECTIONS OTHERWISE SAFETY WILL BE COMPROMISED.
9. Tuck the wire connections neatly into the junction box carefully.
10. Install the fixture body (C) to the mounting plate (A) and secure with the knurled nuts (D).
11. Open the door (H) by loosening the screws (G).
12. Insert light bulbs (not included) into the sockets.
13. Insert the glass (J) to the door (H).
14. Close the door (H) and secure with the screws (G).
15. Installation is complete, turn on power at fuse or circuit breaker.

***Clean with a dry, soft cloth only. Use no harsh abrasives or chemical agents.