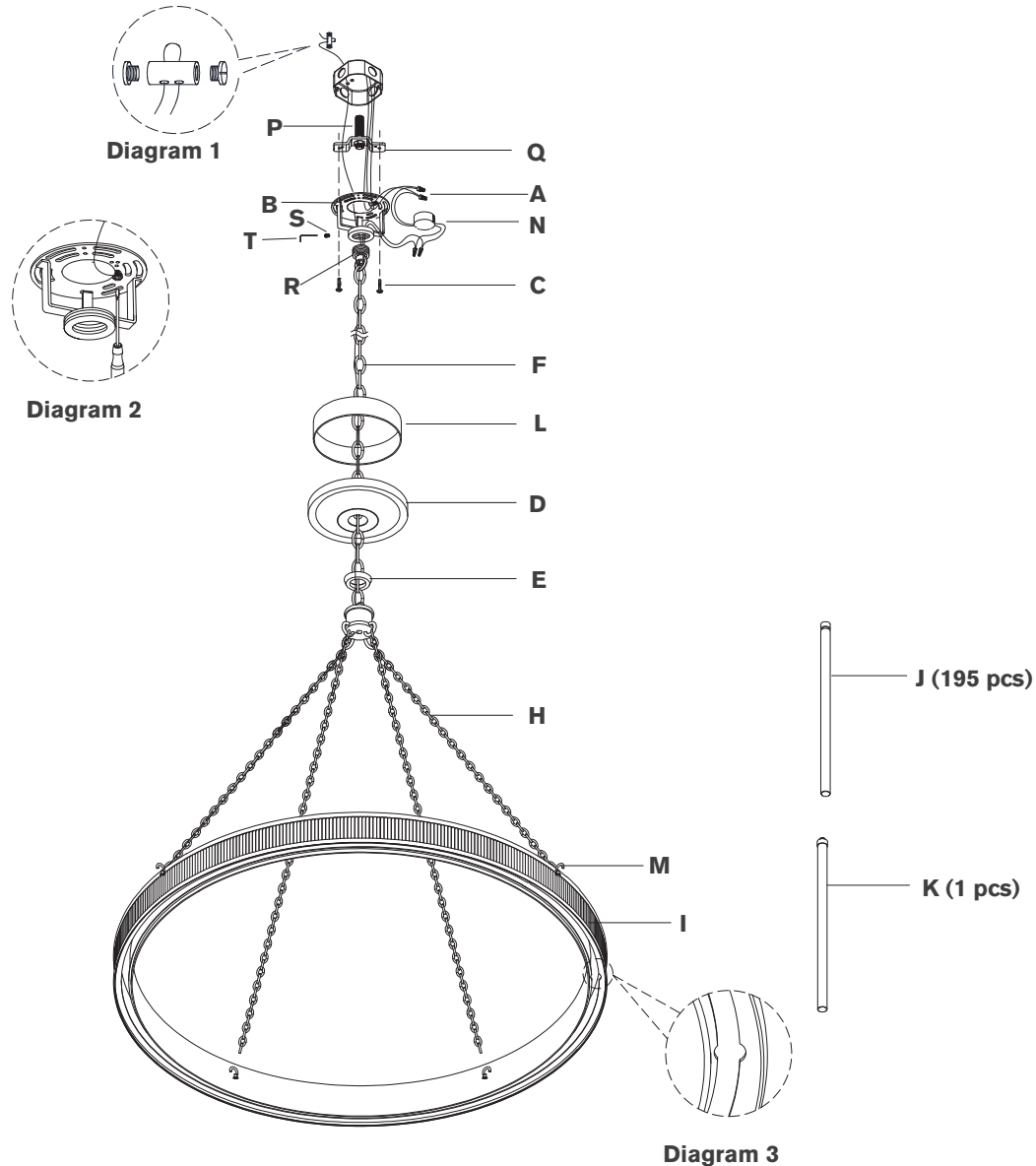


ASSEMBLY INSTRUCTIONS

Option 1: Canopy Mounted Driver



Menil Large Chandelier

Item # S5172

NOTICE:

This light fixture should be installed in accordance with all applicable, local installation codes, and by a person familiar with the construction and operation of it, as well as the hazards involved. Inspect item and contents carefully. If any damage or defect is found, do not install. Retain all packaging material until installation is complete and approved.

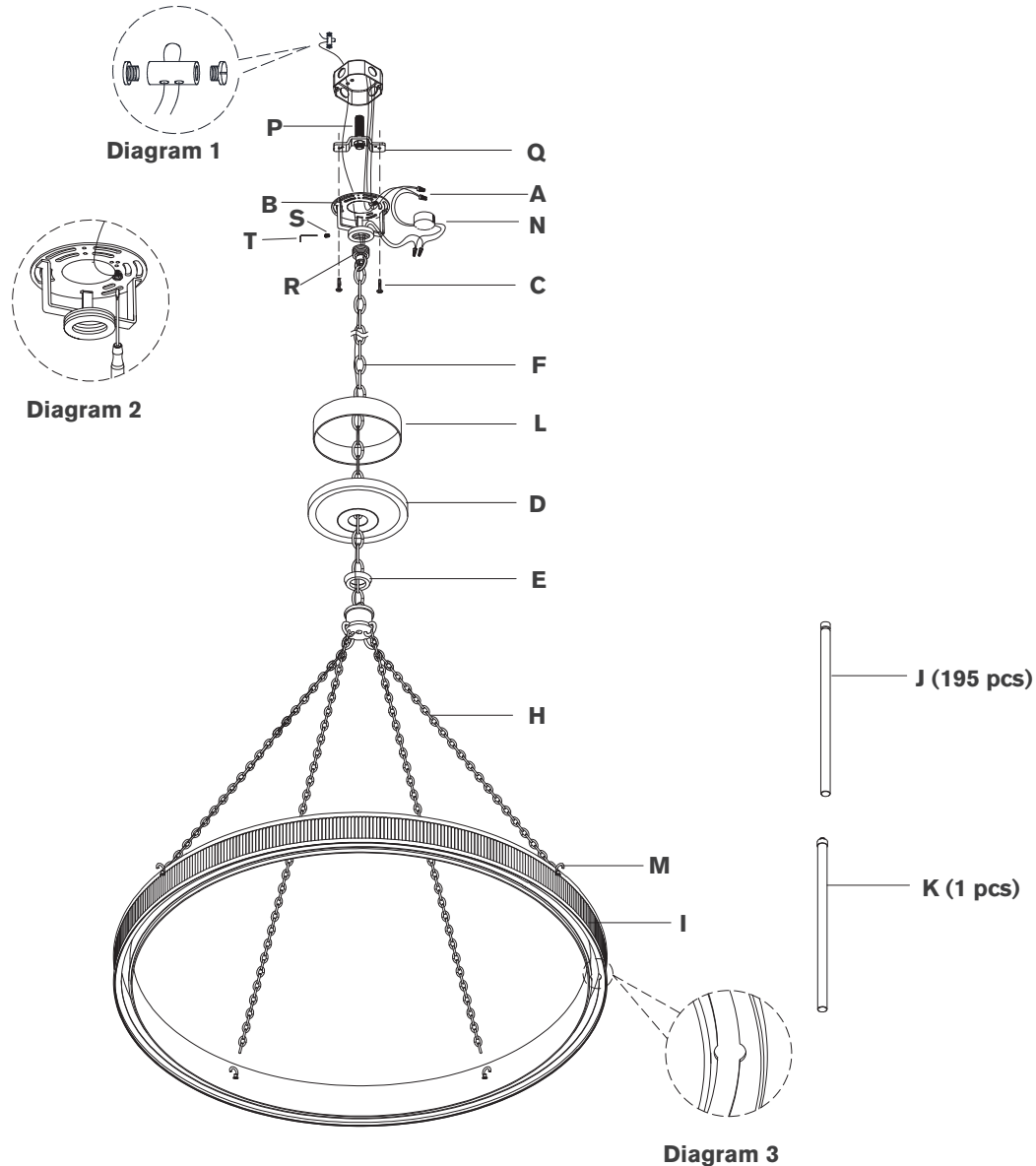
TOOLS REQUIRED (NOT INCLUDED):

Phillips Screwdriver	Slotted Screwdriver	Chain Pliers
Slip Joint Pliers	Measuring Tape	Wire Cutters
Wire Strippers		

- Carefully remove all parts from the box. Place on a clean, soft surface.
- It is recommended to install a 1/4 IPS (1/2" dia) threaded pipe, secured to a structural member of the building (not included). Then install threaded receiver (P) on top of fixture to threaded pipe and tighten with wrench.
- Install mounting bracket (Q) to threaded receiver (P) and secure with hex nut.
- Install mounting plate (B) to mounting bracket (Q) and secure with screws (C).
- Determine desired overall length, and amount of chain (F) needed. Shorten chain (F) using chain pliers (Keep extra chain).
- Add collar ring (E), canopy (D) and driver housing (L) to chain (F) and slip down carefully.
- Thread collar loop (R) to mounting plate (B) and secure using set screw (S) with provided wrench (T).
- Install driver housing (L) and canopy (D) to mounting plate (B) and secure with collar ring (E).
- Attach chains (H) to hooks (M) on fixture body (I).
- Thread safety cable, fixture wire and ground wire through chain (F).
NOTE: When you reach the collar loop, ensure there is no tension on the wires. Cut excess wires, being sure to leave enough to reach the junction box.

ASSEMBLY INSTRUCTIONS

Option 1: Canopy Mounted Driver



Menil Large Chandelier

Item # S5172

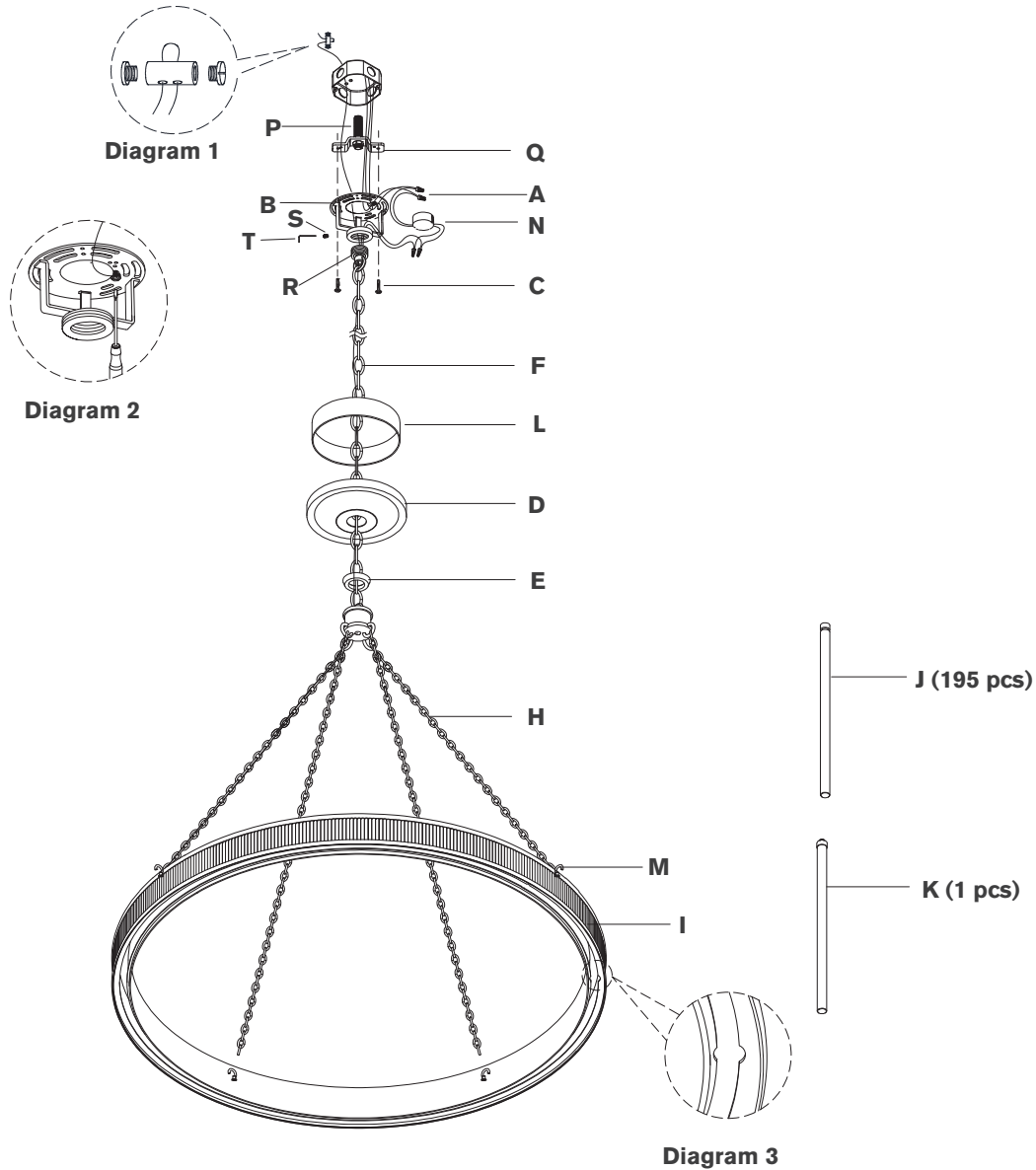
NOTICE:

This light fixture should be installed in accordance with all applicable, local installation codes, and by a person familiar with the construction and operation of it, as well as the hazards involved. Inspect item and contents carefully. If any damage or defect is found, do not install. Retain all packaging material until installation is complete and approved.

11. Separate two sides of molded wire, and strip insulation on each 5/8".
12. Loosen collar ring (**E**) and let driver housing (**L**) and canopy (**D**) slip down chain (**F**) carefully.
13. Twist all fixture wires together and slip through center hole of collar loop (**R**).
NOTE: Untwist wires and separate to prepare for connection.
14. Loosen cable lock and install to end of safety cable. Run safety cable through junction box and around structural member of building. Insert cable through cable lock and tighten the ends with a screwdriver to secure. (See diagram 1)
15. Connect fixture neutral wire (ribbed) to the driver output neutral wire (black) using wire nut (**A**).
16. Connect fixture hot wire (smooth with markings) to the driver output hot wire (red) using wire nut (**A**).
17. Connect supply ground wire (usually green or bare copper) around the green grounding screw (see diagram 2). Tighten.
NOTE: It is imperative that the fixture is grounded.
18. Connect driver input neutral wire (white) to the supply neutral wire (usually white) using wire nut (**A**).
19. Connect the driver input hot wire (black) to the supply hot wire (usually black) using wire nut (**A**).
CAUTION: Do not reverse the hot and neutral connections.
20. Make sure all wire connections are tight, then carefully tuck into the junction box.
21. Insert driver (**N**) into mounting plate bracket.

ASSEMBLY INSTRUCTIONS

Option 1: Canopy Mounted Driver



Menil Large Chandelier

Item # S5172

NOTICE:

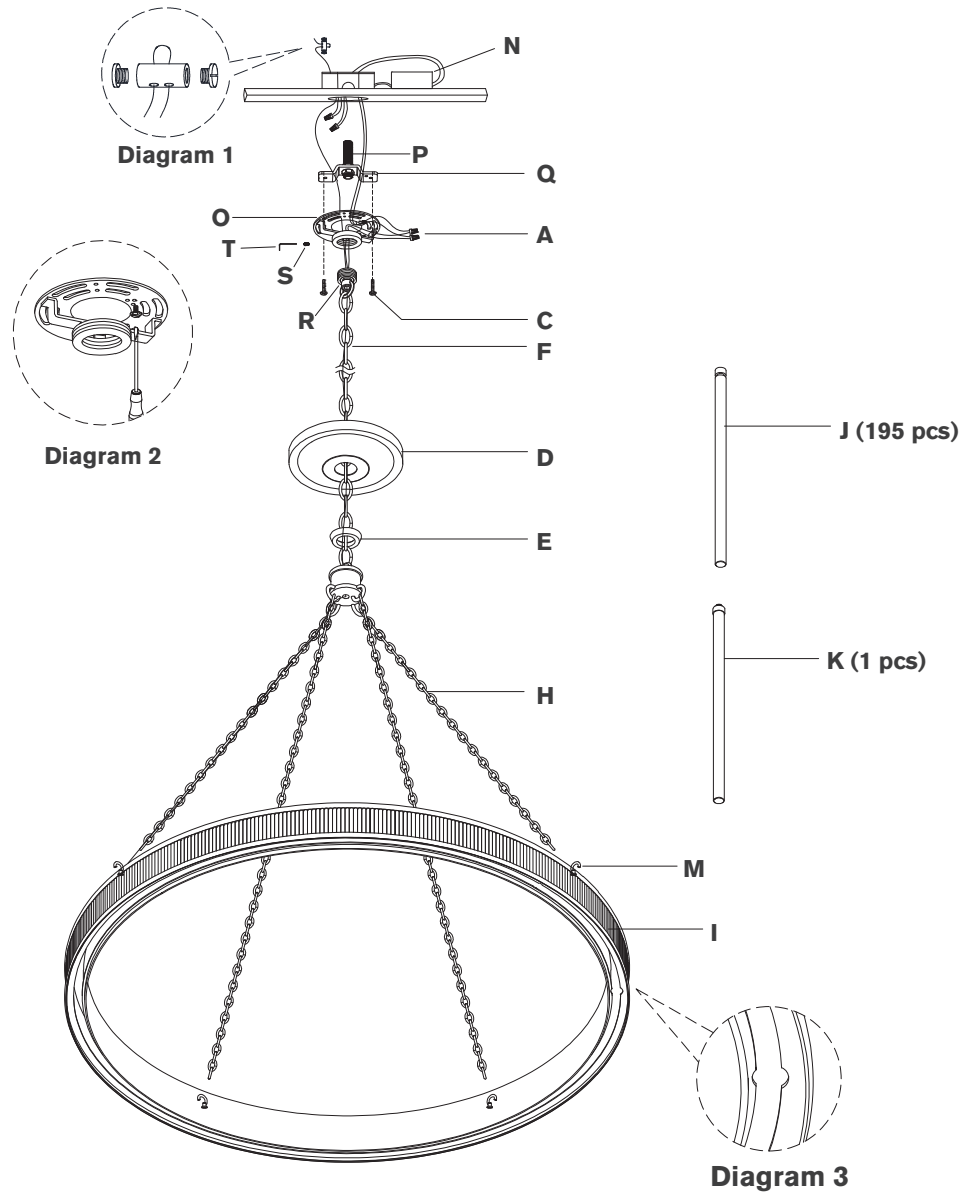
This light fixture should be installed in accordance with all applicable, local installation codes, and by a person familiar with the construction and operation of it, as well as the hazards involved. Inspect item and contents carefully. If any damage or defect is found, do not install. Retain all packaging material until installation is complete and approved.

22. Install driver housing (L) and canopy (D) to mounting plate (B) and secure with collar ring (E).
23. To install glass rods (J) insert into hole on bottom of fixture frame, align with groove in rod and slide over.
24. Once all glass rods (J) are installed, align glass rod (K) with hole on bottom of fixture frame and thread to secure. (see diagram 3)

Care Instructions: Clean only with a soft dry cloth or feather duster. Do not use abrasive or chemical agents.

ASSEMBLY INSTRUCTIONS

Option 2: Ceiling Mounted Driver



Menil Large Chandelier

Item # S5172

NOTICE:

This light fixture should be installed in accordance with all applicable, local installation codes, and by a person familiar with the construction and operation of it, as well as the hazards involved. Inspect item and contents carefully. If any damage or defect is found, do not install. Retain all packaging material until installation is complete and approved.

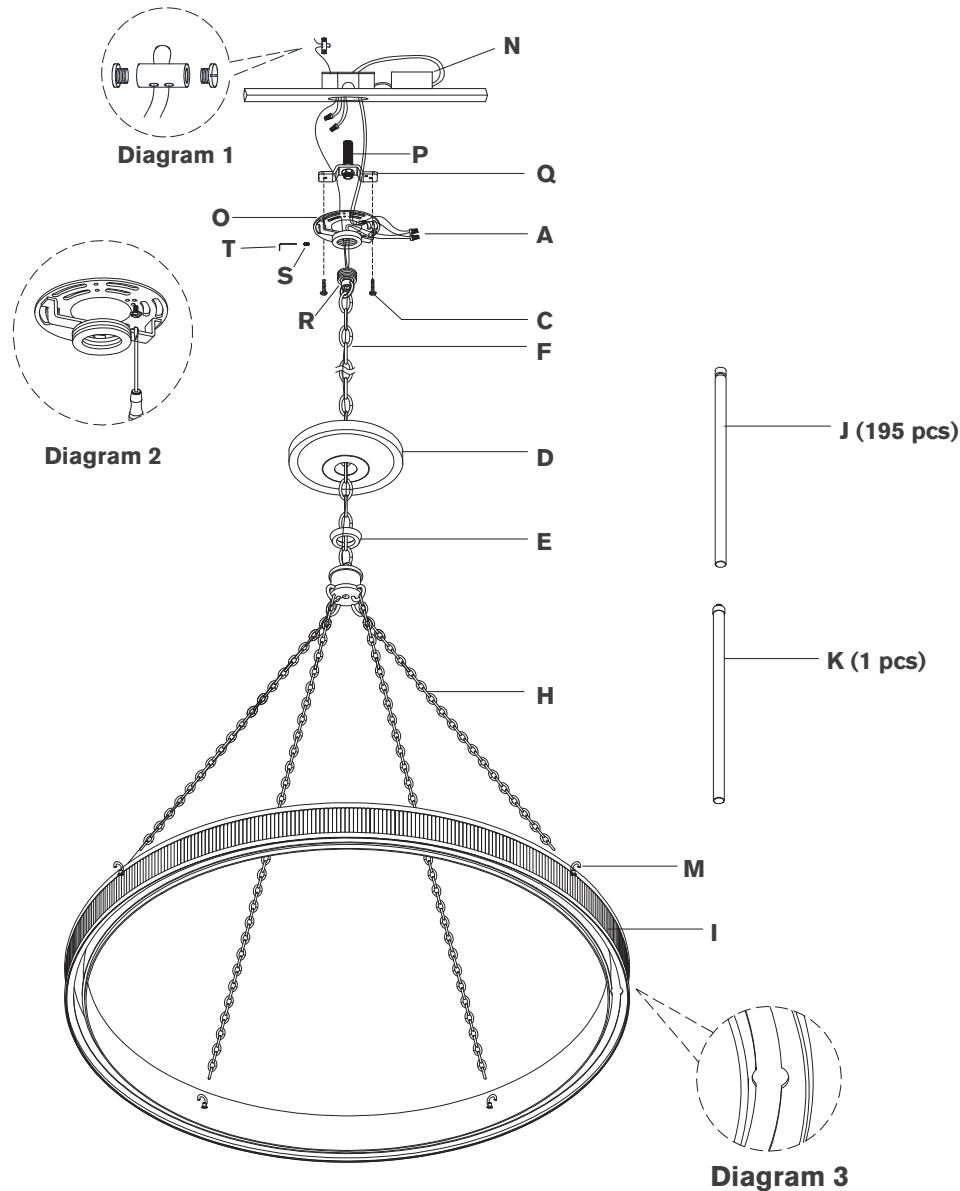
TOOLS REQUIRED (NOT INCLUDED):

Phillips Screwdriver	Slotted Screwdriver	Chain Pliers
Slip Joint Pliers	Measuring Tape	Wire Cutters
Wire Strippers		

1. Carefully remove all parts from the box. Place on a clean, soft surface.
2. Place driver (**N**) into ceiling and route all wires through one of the knockouts in the junction box.
3. Locate shorter profile mounting plate (**O**) for option 2 mounting.
4. It is recommended to install a 1/4 IPS (1/2" dia) threaded pipe, secured to a structural member of the building (not included). Then install threaded receiver (**P**) on top of fixture to threaded pipe and tighten with wrench.
3. Install mounting bracket (**Q**) to threaded receiver (**P**) and secure with hex nut.
4. Install shorter mounting plate (**O**) to mounting bracket (**Q**) and secure with screws (**C**).
5. Determine desired overall length, and amount of chain (**F**) needed. Shorten chain (**F**) using chain pliers (Keep extra chain).
6. Add collar ring (**E**) and canopy (**D**) to chain (**F**) and slip down carefully.
7. Thread collar loop (**R**) to shorter mounting plate (**O**) and secure using set screw (**S**) with provided wrench (**T**).
8. Install driver housing (**L**) and canopy (**D**) to mounting plate (**B**) and secure with collar ring (**E**).
9. Attach chains (**H**) to hooks (**M**) on fixture body (**I**).

ASSEMBLY INSTRUCTIONS

Option 2: Ceiling Mounted Driver



Menil Large Chandelier

Item # S5172

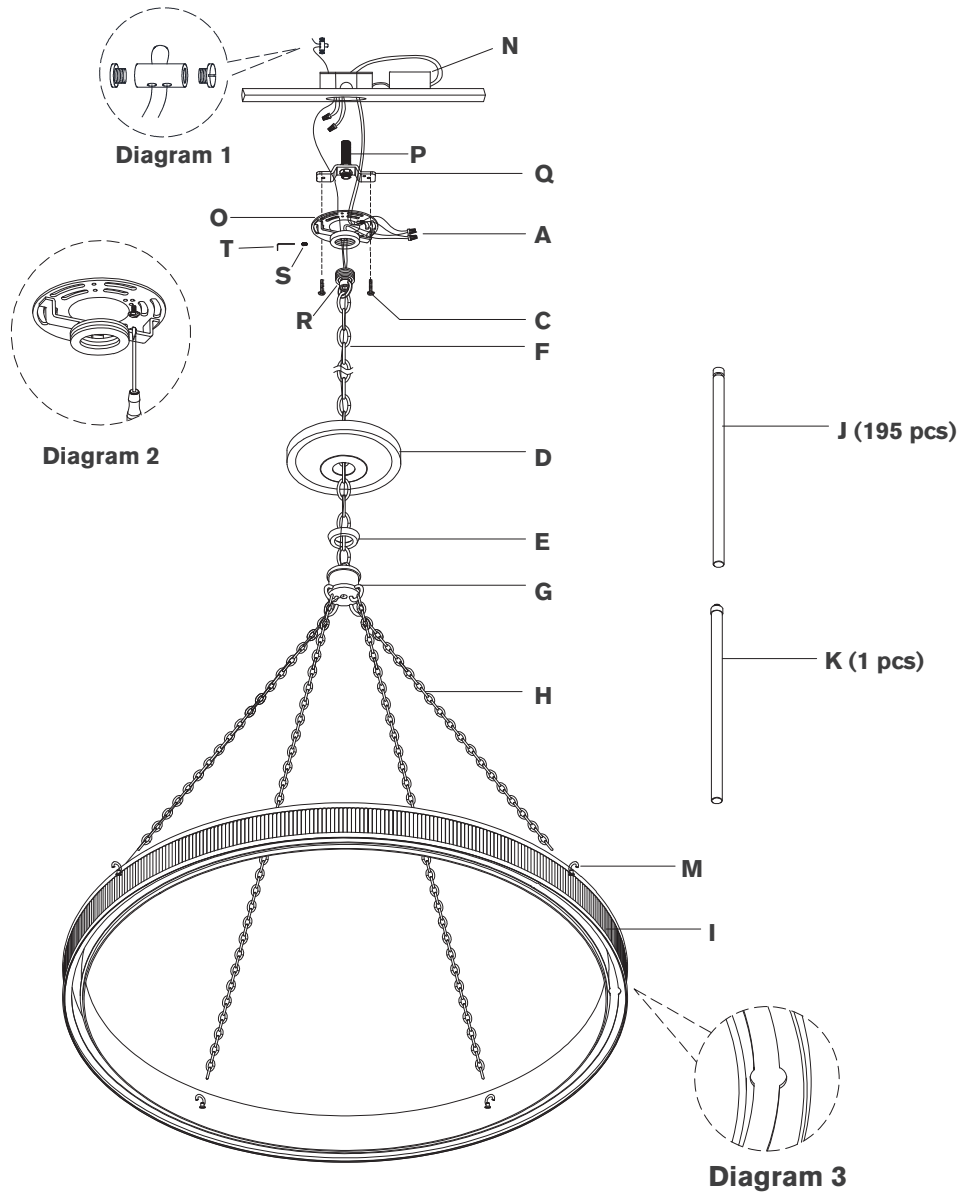
NOTICE:

This light fixture should be installed in accordance with all applicable, local installation codes, and by a person familiar with the construction and operation of it, as well as the hazards involved. Inspect item and contents carefully. If any damage or defect is found, do not install. Retain all packaging material until installation is complete and approved.

10. Thread safety cable fixture wire and ground wire through chain (**F**).
NOTE: When you reach the collar loop, ensure there is no tension on the wires. Cut excess wires, being sure to leave about **12"** to reach the junction box.
11. Separate two sides of molded wire, and strip insulation on each 5/8".
12. Loosen collar ring (**E**) and let canopy (**D**) slip down chain (**F**) carefully.
13. Twist all fixture wires together. Slip through center hole of collar loop (**R**).
NOTE: Untwist wires and separate to prepare for connection.
14. Loosen cable lock and install to end of safety cable. Run safety cable through junction box and around structural member of building. Insert cable through cable lock and tighten the ends with a screwdriver to secure. (See diagram 1)
15. Connect fixture neutral wire (ribbed) to the driver output neutral wire (black) using wire nut (**A**).
16. Connect fixture hot wire (smooth with markings) to the driver output hot wire (red) using wire nut (**A**).
17. Connect supply ground wire (usually green or bare copper) around the green grounding screw . Tighten.
NOTE: It is imperative that the fixture is grounded.
18. Connect supply ground wire (usually green or bare copper) around the green grounding screw (see diagram 2). Tighten.
NOTE: It is imperative that the fixture is grounded.
19. Connect driver input neutral wire (white) to the supply neutral wire (usually white) using wire nut (**A**).

ASSEMBLY INSTRUCTIONS

Option 2: Ceiling Mounted Driver



Menil Large Chandelier

Item # S5172

NOTICE:

This light fixture should be installed in accordance with all applicable, local installation codes, and by a person familiar with the construction and operation of it, as well as the hazards involved. Inspect item and contents carefully. If any damage or defect is found, do not install. Retain all packaging material until installation is complete and approved.

20. Connect the driver input hot wire (black) to the supply hot wire (usually black) using wire nut **(A)**.
- CAUTION:** Do not reverse the hot and neutral connections.
21. Make sure all wire connections are tight, then carefully tuck into the junction box.
22. Install canopy **(D)** to mounting plate **(B)** and secure with collar ring **(E)**.
23. To install glass rods **(J)** insert into hole on bottom of fixture frame, align with groove in rod and slide over.
24. Once all glass rods **(J)** are installed, align glass rod **(K)** with hole on bottom of fixture frame and thread to secure. (see diagram 3)

Care Instructions: Clean only with a soft dry cloth or feather duster. Do not use abrasive or chemical agents.