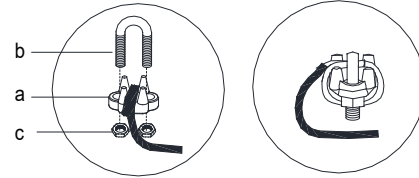
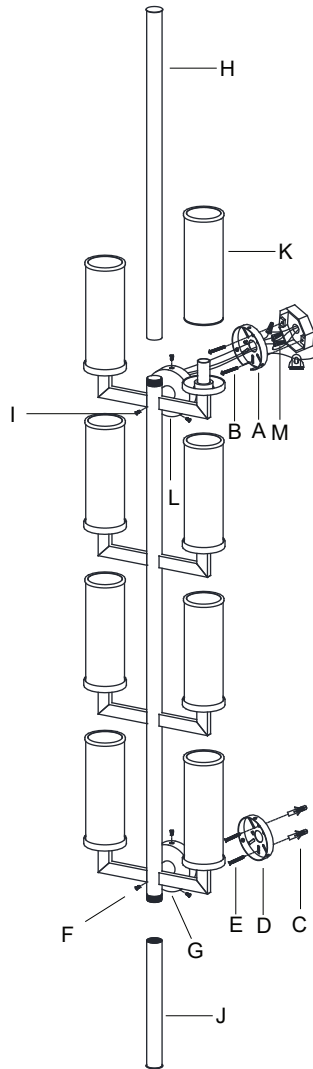


## ASSEMBLY INSTRUCTIONS



- Install safety cable:
1. Wrap the safety cable into the slot hole on the mounting plate (A).
  2. Wrap the safety cable around the saddle (a).
  3. Insert U-bolt clip (b) into the saddle (a) and secure with the nuts (c).

## Liaison Statement Sconce

Item # KW 2204

**WE RECOMMEND INSTALLATION OF THIS LIGHTING FIXTURE BE DONE BY A LICENSED ELECTRICIAN.**

**WARNING\*\*\*SWITCH OFF THE MAIN ELECTRICAL SUPPLY FROM THE MAIN FUSE BOX/CIRCUIT BREAKER BEFORE INSTALLATION.**

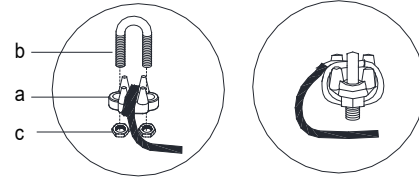
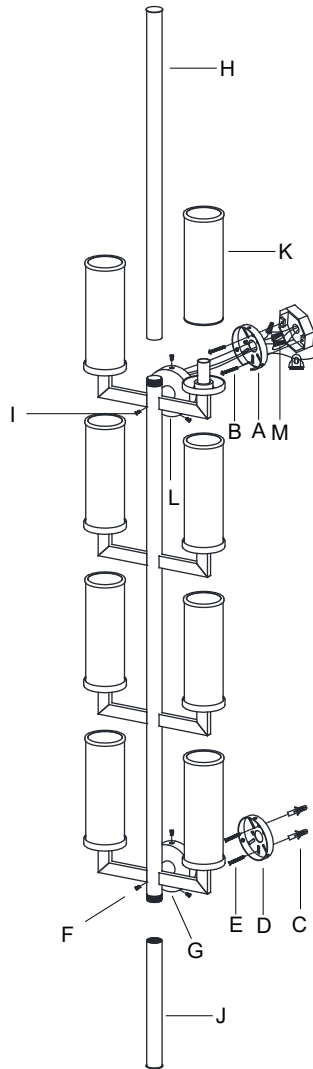
**INSPECT ITEM CAREFULLY BEFORE ATTEMPTING TO INSTALL. IF THERE IS ANY DAMAGE OR OBVIOUS DEFECT. DO NOT INSTALL.**

**ITEM MAY NOT BE RETURNED ONCE IT HAS BEEN INSTALLED.**

**NOTE: CAREFULLY UNPACK EACH PIECE IN TOP LAYER OF PACKING PRIOR TO REMOVING. RETAIN ALL PACKING MATERIAL UNTIL INSPECTION AND INSTALLATION ARE FINAL.**

1. Carefully remove all parts from the box.
2. Remove the mounting plate (A) from the fixture base (L) by unscrewing the side screws (I).
3. Remove the fixed plate (D) from the fixture base (G) by unscrewing the side screws (F).
4. Install the mounting plate (A) to the junction box and secure with the mounting screws (B).
5. Install the fixture base (L) to the mounting plate (A) and secure with side screws (I).
6. Draw an outer line for fixture base (G), make sure fixture base (L) is vertical to fixture base (G).
7. Remove the fixture base (L) from the mounting plate (A) by unscrewing the side screws (I).
8. Put the fixed plate (D) on the wall, mark the anchor holes position with pencil (not included). Drill holes on the wall and insert the anchors (C) into the holes.
9. Install the fixed plate (D) to the wall and then secure the wood screws (E) into the anchors (C).
10. Connect the safety cables as shown in figure.
11. Wrap the fixture ground wire to the green ground screw on the mounting plate (A) and secure, then connect to the ground wire in the junction box using the wire nut (M).  
IT IS IMPERATIVE THAT THIS FIXTURE BE GROUNDED.
12. Connect the fixture white wire to the neutral wire in the junction box using the wire nut (M).
13. Connect the fixture black wire to the hot wire in the junction box using the wire nut (M).  
DO NOT REVERSE THE HOT AND NEUTRAL CONNECTIONS OTHERWISE SAFETY WILL BE COMPROMISED.
14. Install the fixture base (L) to the mounting plate (A) and secure with the side screws (I).

## ASSEMBLY INSTRUCTIONS



Install safety cable:

1. Wrap the safety cable into the slot hole on the mounting plate (A).
2. Wrap the safety cable around the saddle (a).
3. Insert U-bolt clip (b) into the saddle (a) and secure with the nuts (c).

## Liaison Statement Sconce

Item # KW 2204

**WE RECOMMEND INSTALLATION OF THIS LIGHTING FIXTURE BE DONE BY A LICENSED ELECTRICIAN.**

**WARNING\*\*\*SWITCH OFF THE MAIN ELECTRICAL SUPPLY FROM THE MAIN FUSE BOX/CIRCUIT BREAKER BEFORE INSTALLATION.**

**INSPECT ITEM CAREFULLY BEFORE ATTEMPTING TO INSTALL. IF THERE IS ANY DAMAGE OR OBVIOUS DEFECT. DO NOT INSTALL.**

**ITEM MAY NOT BE RETURNED ONCE IT HAS BEEN INSTALLED.**

**NOTE: CAREFULLY UNPACK EACH PIECE IN TOP LAYER OF PACKING PRIOR TO REMOVING. RETAIN ALL PACKING MATERIAL UNTIL INSPECTION AND INSTALLATION ARE FINAL.**

15. Install the fixture base (G) to the fixed plate (D) and secure with the side screws (F).
16. Thread the rod (H) to the top of fixture body, then thread the rod (J) to the bottom of fixture body.
17. Insert bulbs (not included) into the sockets.
18. Carefully place shade (K) to the shade holder.
19. Installation is complete, turn on power at fuse or circuit breaker.

\*\*\*Clean with a dry, soft cloth only. Use no harsh abrasives or chemical agents.