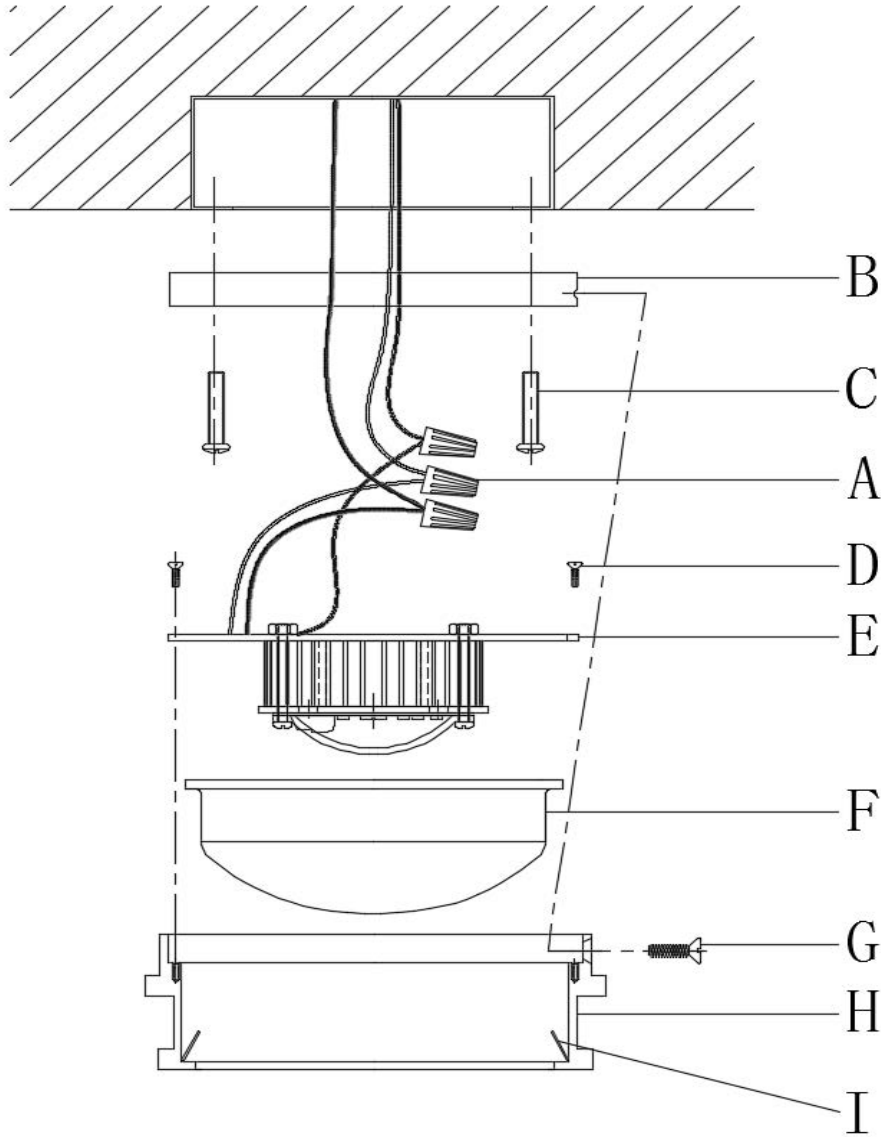


ASSEMBLY INSTRUCTIONS



Launceton Petite Flush Mount

Item # CHC 4600

WE RECOMMEND INSTALLATION OF THIS LIGHTING FIXTURE BE DONE BY A LICENSED ELECTRICIAN.

WARNING***SWITCH OFF THE MAIN ELECTRICAL SUPPLY FROM THE MAIN FUSE BOX/CIRCUIT BREAKER BEFORE INSTALLATION.

INSPECT ITEM CAREFULLY BEFORE ATTEMPTING TO INSTALL. IF THERE IS ANY DAMAGE OR OBVIOUS DEFECT. DO NOT INSTALL.

ITEM MAY NOT BE RETURNED ONCE IT HAS BEEN INSTALLED.

NOTE: CAREFULLY UNPACK EACH PIECE IN TOP LAYER OF PACKING PRIOR TO REMOVING. RETAIN ALL PACKING MATERIAL UNTIL INSPECTION AND INSTALLATION ARE FINAL.

1. Carefully remove all parts from the box.
2. Remove the mounting plate (B) from the fixture (H) by unscrewing the screws (G).
3. Install the mounting plate (B) to the outlet box with the mounting screws (C) provided.
4. Remove the LED model (E) from the fixture(H) by unscrewing the screws (D) .
5. Install the glass shade (F) to the fixture (H) and hold it with the metal tabs(I).
6. Insert the LED model (E) to the fixture (H) and fix it with screws (D).
7. Connect the hot wire (BLACK)from the fixture to the hot wire from ceiling outlet box (usually BLACK). Fasten them together with a plastic wire connector provided.
8. Repeat this procedure for the neutral wire (WHITE) from the light fixture to the wire from ceiling Outlet box(usually WHITE).

DO NOT REVERSE THE HOT AND NEUTRAL CONNECTIONS, OR SAFETY WILL BE COMPROMISED.

9. Connect ground wire from the light fixture (bare copper) to ground wire from ceiling outlet Box (usually green or copper in color).

IT IS IMPERATIVE THAT THIS FIXTURE BE GROUNDED.

10. Tuck these wire connections neatly into the ceiling outlet box.
11. Install the fixture (H) to the mounting plate (B) with side screws (G).
12. Installation is complete, turn on power at fuse or circuit breaker.

***Clean with a dry, soft cloth only. Use no harsh abrasives or chemical agents.

