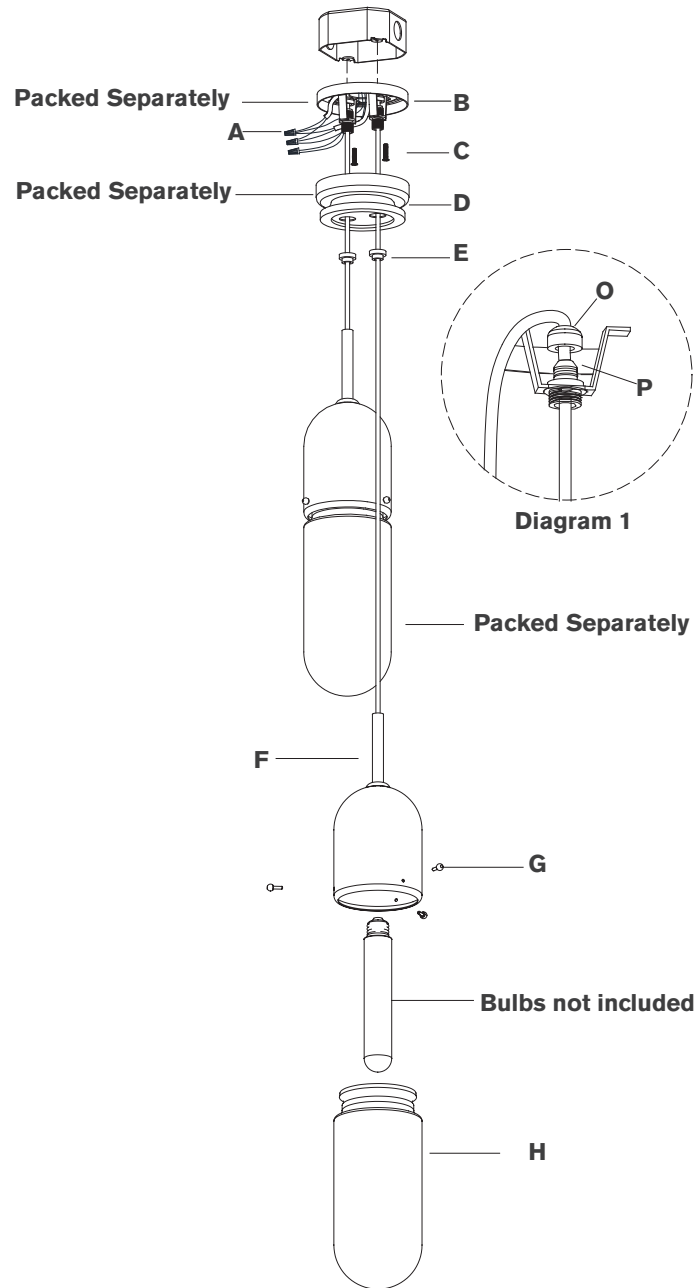


ASSEMBLY INSTRUCTIONS



Junio 2-Light Pendant

Item # TOB 5645-2

NOTICE:

This light fixture should be installed in accordance with all applicable, local installation codes, and by a person familiar with the construction and operation of it, as well as the hazards involved. Inspect item and contents carefully. If any damage or defect is found, do not install. Retain all packaging material until installation is complete and approved.

TOOLS REQUIRED (NOT INCLUDED):

Phillips Screwdriver	Slotted Screwdriver	Wire Cutters
Wire Strippers	Hammer	Pencil
Drill		

- Carefully remove all parts from the box. Place on a clean, soft surface.
- Remove mounting plate **(B)** from canopy **(D)** by removing collar rings **(E)**.
- Install mounting plate **(B)** to junction box and secure with mounting screws **(C)**.
- Feed fixture wires through collar rings **(E)** and canopy **(D)**.
- Holding fixture upright, slide collar rings **(E)** and canopy **(D)** down and rest on fixture body **(F)**.

NOTE: Slide components down slowly to avoid damages.

- Remove threaded caps **(O)** from mounting brackets **(P)**, then insert fixture wires through the center hole of cord holders **(P)** and threaded caps **(O)**.

NOTE: Slide components down slowly to avoid damages.

- Adjust fixture wire to desired height then secure with cap **(O)** (see diagram 1). repeat steps with remaining fixture wires.

NOTE: Ensure the hole of canopy align with collar loop to avoid wires twist together.

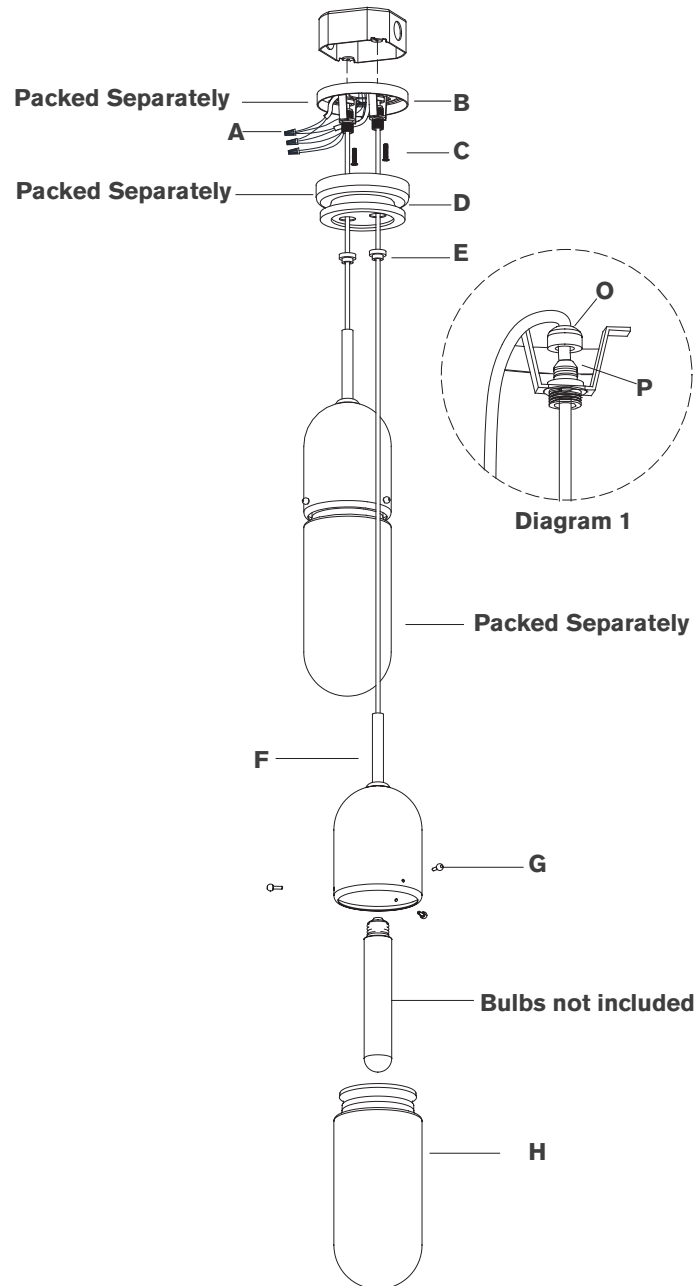
NOTE: Make sure there is no tension on the electrical wire when fixture is fully extended.

- Cut excess wires, being sure to leave enough to reach the junction box. Separate wires, and strip insulation on each 5/8".

VISUAL COMFORT



ASSEMBLY INSTRUCTIONS



Junio 2-Light Pendant

Item # TOB 5645-2

NOTICE:

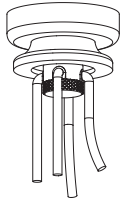
This light fixture should be installed in accordance with all applicable, local installation codes, and by a person familiar with the construction and operation of it, as well as the hazards involved. Inspect item and contents carefully. If any damage or defect is found, do not install. Retain all packaging material until installation is complete and approved.

9. Wrap supply ground wire (bare copper) around the green grounding screw. Tighten. Continue fixture ground wire and connect to supply ground wire (usually green or bare copper) using wire nut **(A)**.
NOTE: It is imperative that the fixture is grounded.
10. Connect fixture neutral wire (white) to the supply neutral wire (usually white) using wire nut **(A)**.
11. Connect fixture hot wire (black) to the supply hot wire (usually black) using wire nut **(A)**.
CAUTION: Do not reverse the hot and neutral connections.
12. Install canopy **(D)** to mounting plate **(B)** and secure with collar rings **(E)**.
13. Install light bulbs into the sockets.
14. Install glass shades **(H)** to fixture body **(F)** and secure with thumbscrews **(G)**.
NOTE: Do not overtighten otherwise shade could become damaged.

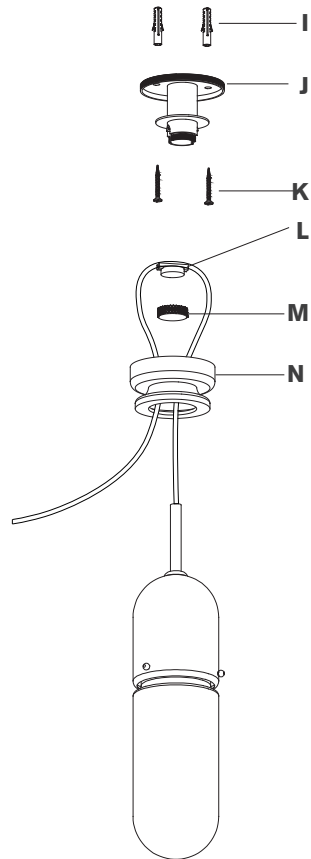
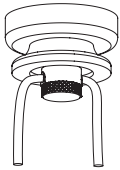
Care Instructions: Clean only with a soft dry cloth or feather duster. Do Not use abrasive or chemical agents.

ASSEMBLY INSTRUCTIONS

Cord Mount Option 1



Cord Mount Option 2



Junio 2-Light Pendant

Item # TOB 5645-2

NOTICE:

This light fixture should be installed in accordance with all applicable, local installation codes, and by a person familiar with the construction and operation of it, as well as the hazards involved. Inspect item and contents carefully. If any damage or defect is found, do not install. Retain all packaging material until installation is complete and approved.

Cord Mount Option

1. Remove canopy (**N**) from mounting plate (**J**) by unscrewing, then remove collar ring (**M**) and wire mount (**L**) from mounting plate.
2. Using the mounting plate (**J**) as a guide, line up with the junction box and mark anchor positions.
3. Using a drill bit slightly smaller than the anchor, drill holes in the marked positions. Install anchors (**I**) into the holes using the hammer.
4. Install mounting plate (**J**) to ceiling and secure with wood screws (**K**) to anchors (**I**).
5. Place fixture wire on slot of wire mount (**L**), then pass through canopy (**N**) as shown in line diagram.
6. Adjust fixture wire to desired height, then install wire mount (**L**) to mounting plate (**J**) and secure with collar ring (**M**).
7. Thread canopy (**N**) to mounting plate (**J**).

Care Instructions: Clean only with a soft dry cloth or feather duster. Do Not use abrasive or chemical agents.