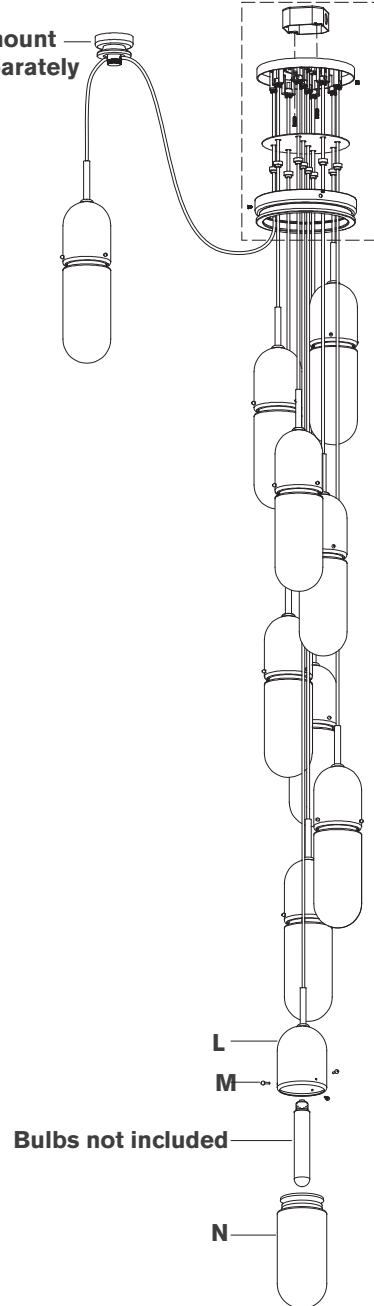


ASSEMBLY INSTRUCTIONS

Cord mount
sold separately



Bulbs not included

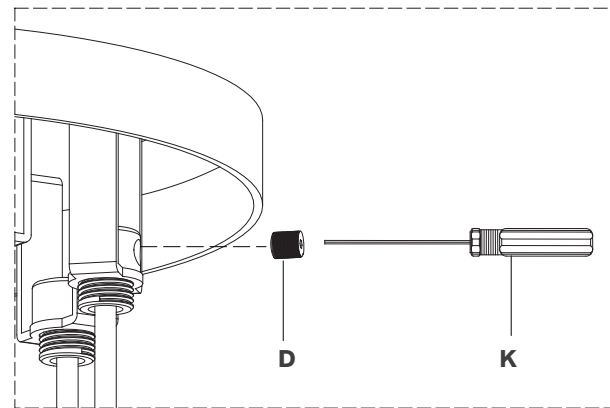
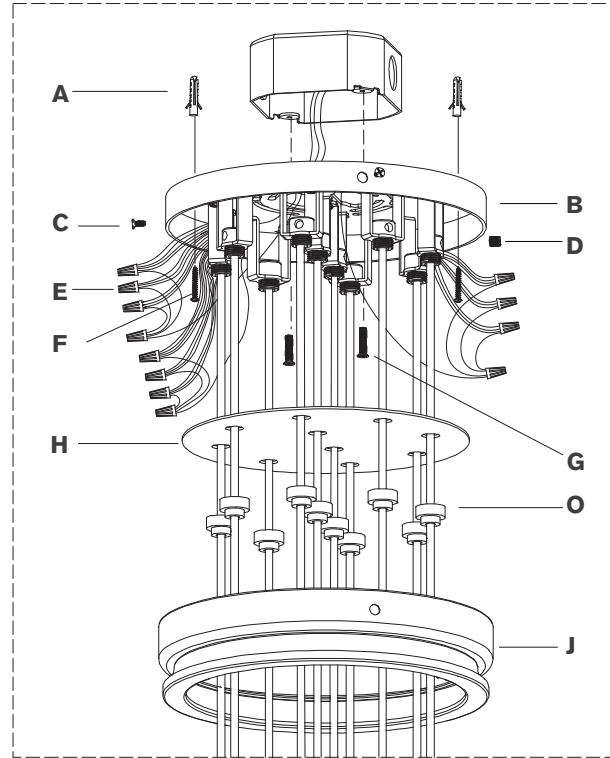


Diagram 1

Junio 10-Light Pendant

Item # TOB5645-10

NOTICE:

This light fixture should be installed in accordance with all applicable, local installation codes, and by a person familiar with the construction and operation of it, as well as the hazards involved. Inspect item and contents carefully. If any damage or defect is found, do not install. Retain all packaging material until installation is complete and approved.

TOOLS REQUIRED (NOT INCLUDED):

Phillips Screwdriver	Slotted Screwdriver	Wire Cutters
Wire Strippers	Hammer	Pencil
Drill		

- Carefully remove all parts from the box. Place on a clean, soft surface.
- Remove mounting plate (B) from canopy (J) by removing screws (C).
- Remove metal plate (H) from mounting plate (B) by removing collar rings (L).
- Using mounting plate (I) as a guide, line up with the junction box and mark anchor positions.
- Using a drill bit slightly smaller than the anchor, drill holes in the marked positions. Install anchors (A) into holes using hammer.
- Install mounting plate (B) to junction box and secure with mounting screws (G), then secure wood screws (F) to anchors (A).
- Feed fixture wires through collar rings (O) and metal plate (H).
- Insert fixture wires through the center hole of mounting bracket and secure with set screws (D) using provided wrench (K).
See diagram 1.
- Cut excess wires, being sure to leave enough to reach the junction box. Separate wires, and strip insulation on each 5/8".

VISUAL COMFORT



ASSEMBLY INSTRUCTIONS

Cord mount
sold separately

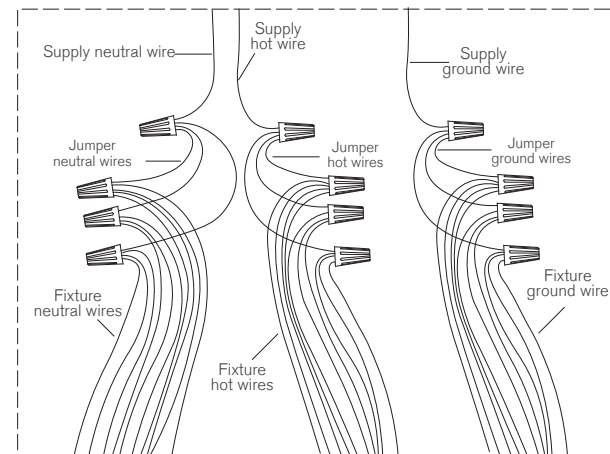
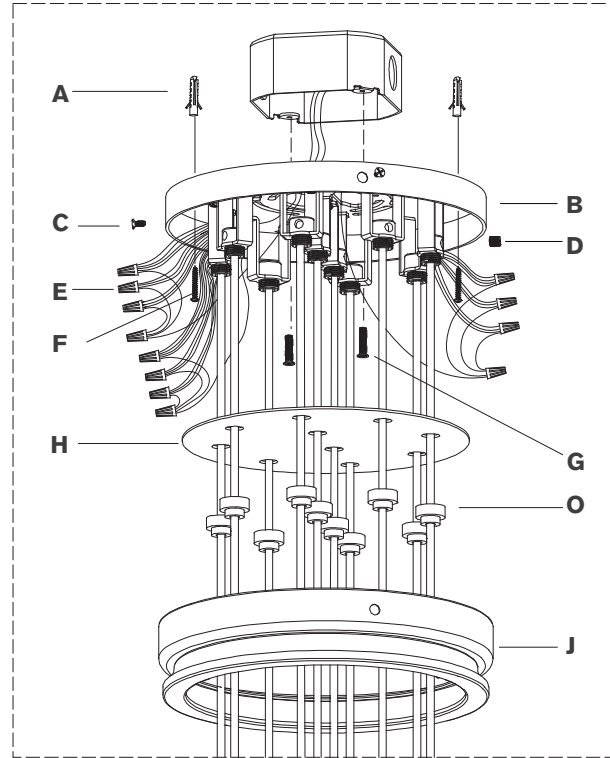
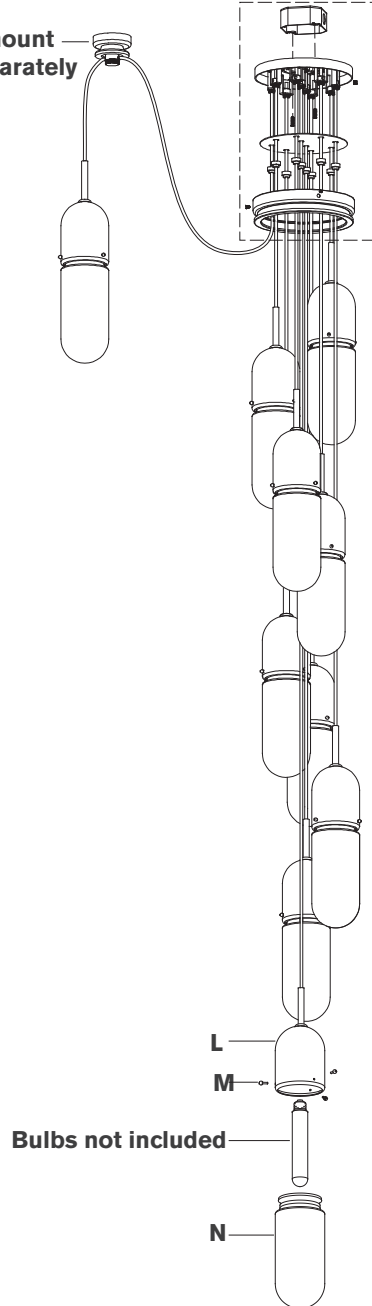


Diagram 2

Junio 10-Light Pendant

Item # TOB5645-10

NOTICE:

This light fixture should be installed in accordance with all applicable, local installation codes, and by a person familiar with the construction and operation of it, as well as the hazards involved. Inspect item and contents carefully. If any damage or defect is found, do not install. Retain all packaging material until installation is complete and approved.

10. Wrap supply ground wire (bare copper) around the green grounding screw. Tighten. Connect 3 jumper wires to supply ground wire (usually green or bare copper) and secure using wire nut **(E)**. Divide fixture ground wires (green) by section and connect to jumper ground wires, securing with wire nut **(E)**. See diagram 2.

NOTE: Divide sections of ground wire evenly to jumper wires as shown in diagram 2.

NOTE: It is imperative that the fixture is grounded.

11. Connect 3 jumper neutral wires to supply neutral wire (usually white) and secure using wire nut **(E)**. Divide fixture neutral wires (white) by section and connect to jumper neutral wires, securing with wire nut **(E)**. See diagram 2.

NOTE: Divide sections of neutral wire evenly to jumper wires as shown in diagram 2.

12. Connect 3 jumper hot wires to supply hot wire (usually black) and secure using wire nut **(E)**. Divide fixture hot wires (black) by section and connect to jumper hot wires, securing with wire nut **(E)**. See diagram 2.

NOTE: Divide sections of hot wire evenly to jumper wires as shown in diagram 2.

CAUTION: Do not reverse the hot and neutral connections.

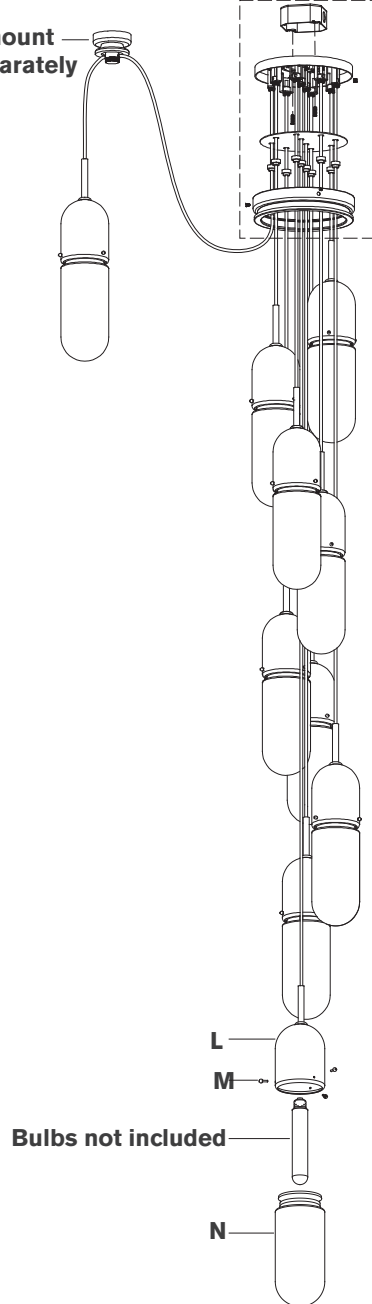
13. Install metal plate **(H)** to mounting plate **(B)** and secure with collar rings **(O)**.

14. Install canopy **(J)** to mounting plate **(B)** and secure with screws **(C)**.

15. Install light bulbs into the sockets.

ASSEMBLY INSTRUCTIONS

Cord mount
sold separately



Bulbs not included

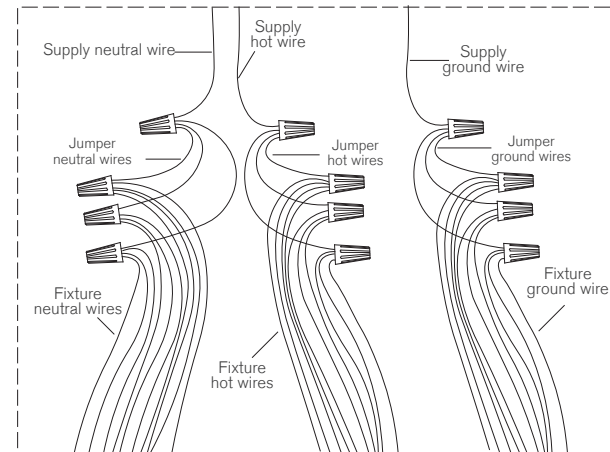
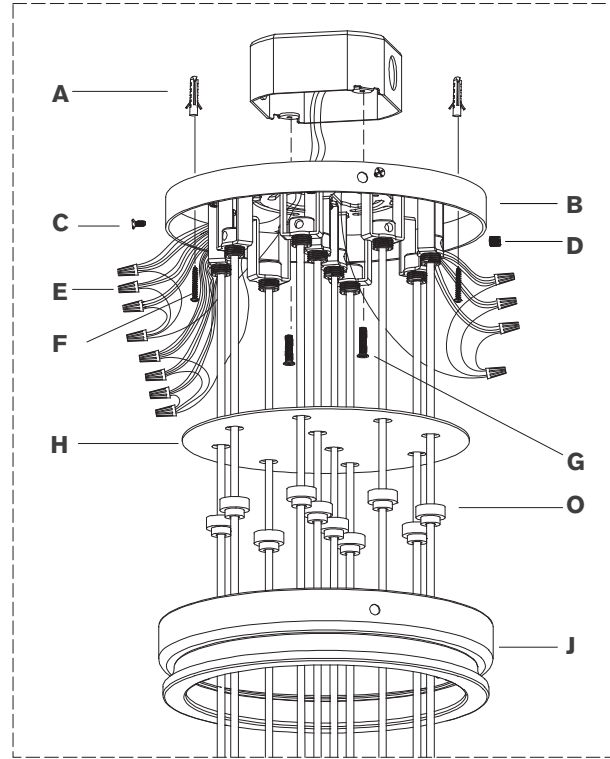


Diagram 2

Junio 10-Light Pendant

Item # TOB5645-10

NOTICE:

This light fixture should be installed in accordance with all applicable, local installation codes, and by a person familiar with the construction and operation of it, as well as the hazards involved. Inspect item and contents carefully. If any damage or defect is found, do not install. Retain all packaging material until installation is complete and approved.

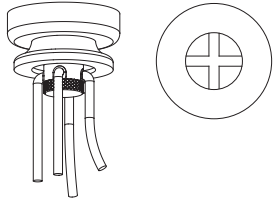
16. Install glass shades (N) to fixture body (L) and secure with thumbscrews (M).

NOTE: Thread thumbscrews (M) in evenly to ensure glass is properly secured. Do not overtighten.

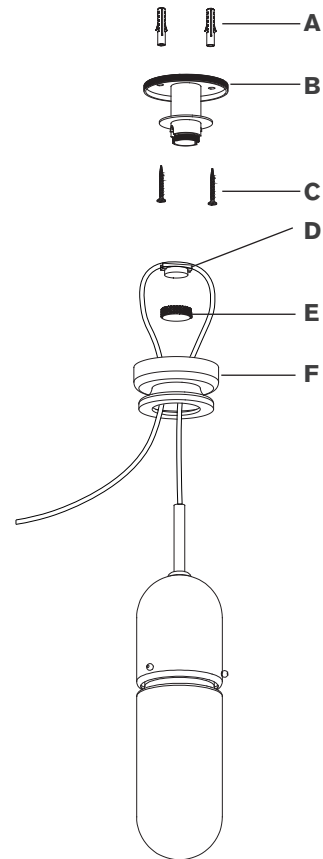
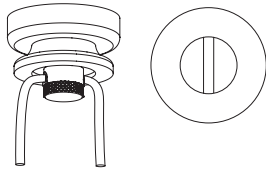
Care Instructions: Clean only with a soft dry cloth or feather duster. Do Not use abrasive or chemical agents.

ASSEMBLY INSTRUCTIONS

Cord Mount Option 1



Cord Mount Option 2



Junio Cord Mount

Item # TOB5645-PRT

NOTICE:

This light fixture should be installed in accordance with all applicable, local installation codes, and by a person familiar with the construction and operation of it, as well as the hazards involved. Inspect item and contents carefully. If any damage or defect is found, do not install. Retain all packaging material until installation is complete and approved.

CORD MOUNT OPTION (SOLD SEPARATELY)

1. Carefully remove all parts from the box. Place on a clean, soft surface.
2. Remove canopy (**F**) from mounting plate (**B**) by unscrewing, then remove collar ring (**E**) and wire mount (**D**) from mounting plate.
3. Using the mounting plate (**B**) as a guide, line up with ceiling and mark anchor positions.
4. Using a drill bit slightly smaller than the anchor, drill holes in the marked positions. Install anchors (**A**) into the holes using hammer.
5. Install mounting plate (**B**) to ceiling and secure with wood screws (**C**) to anchors (**A**).
6. Place fixture wire into slot of wire mount (**D**), then pass through canopy (**F**) as shown in line diagram.
Note: Cord mount is supplied with parts inside box to install one or two cords. See Cord Mount Options on line diagram.
7. Adjust fixture wire to desired height, then install wire mount (**D**) to mounting plate (**B**) and secure with collar ring (**E**).
8. Thread canopy (**F**) to mounting plate (**B**).

Care Instructions: Clean only with a soft dry cloth or feather duster. Do Not use abrasive or chemical agents.