

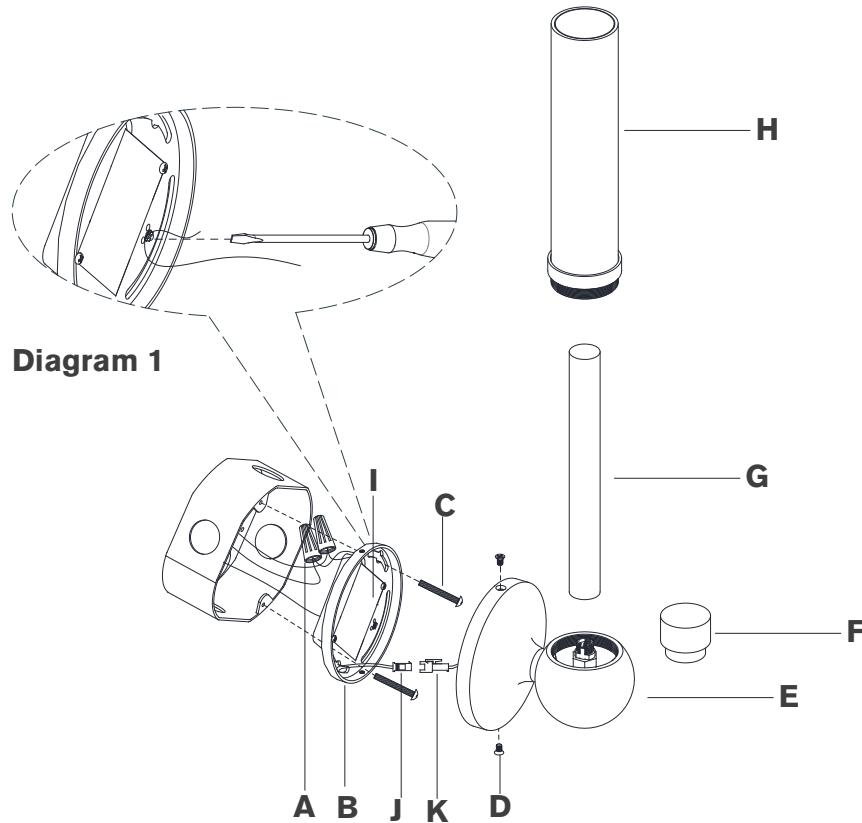
ASSEMBLY INSTRUCTIONS

Jeffery Small Bath Sconce

Item # TOB 2775

NOTICE:

This light fixture should be installed in accordance with all applicable, local installation codes, and by a person familiar with the construction and operation of it, as well as the hazards involved. Inspect item and contents carefully. If any damage or defect is found, do not install. Retain all packaging material until installation is complete and approved.



TOOLS REQUIRED (NOT INCLUDED):

Phillips Screwdriver

Slotted Screwdriver

1. Carefully remove all parts from the box. Place on a clean, soft surface.
2. Remove mounting plate **(B)** from fixture by removing screws **(D)**.
3. Connect fixture ground wire (bare copper) around the green grounding screw (see diagram 1). Tighten.
4. Connect driver **(I)** input neutral wire (white) to the supply neutral wire (usually white) using wire nut **(A)**.
5. Connect driver **(C)** input fixture hot wire (black) to the supply hot wire (usually black) using wire nut **(A)**.

CAUTION: Do not reverse the hot and neutral connections.

6. Make sure all wire connections are tight, then carefully tuck into the junction box.
7. Install mounting plate **(B)** to junction box and secure with mounting screws **(C)**.
8. Connect quick connectors **(J & K)** together.
9. Install fixture to mounting plate **(B)** and secure with screws **(D)**.
10. Remove protective cover **(F)** from socket **(E)**.
11. Thread rod **(G)** and shade **(H)** to socket **(E)**.

NOTE: Do not overtighten otherwise shade could become damaged.

Care Instructions: Clean only with a soft dry cloth or feather duster. Do not use abrasive or chemical agents.