

ASSEMBLY INSTRUCTIONS

PORTABLE MOUNTING OPTION

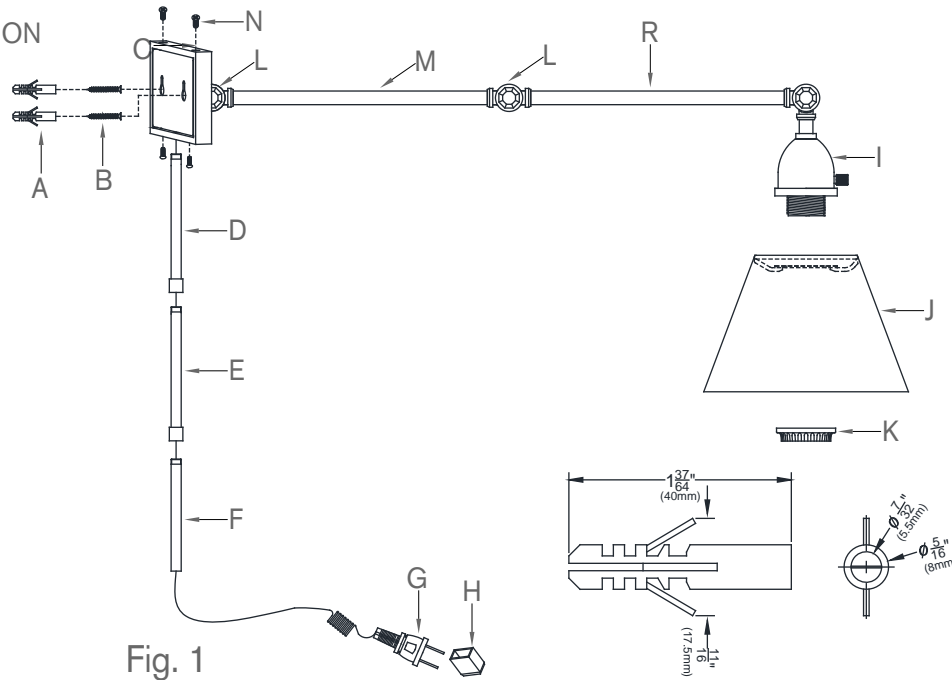


Fig. 1

HARD WIRE MOUNTING OPTION

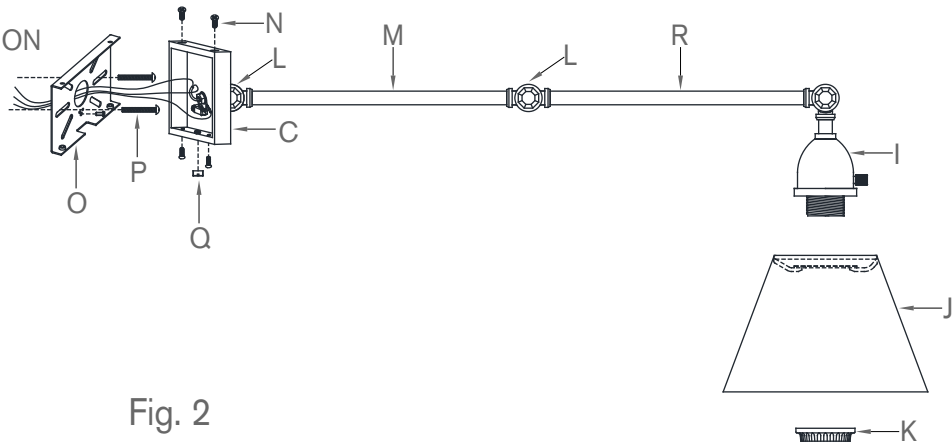


Fig. 2

Jane Double Library Light
Item # AH 2330

WE RECOMMEND INSTALLATION OF THIS LIGHTING FIXTURE BE DONE BY A LICENSED ELECTRICIAN.

WARNING * SWITCH OFF THE MAIN ELECTRICAL SUPPLY FROM THE MAIN FUSE BOX/CIRCUIT BREAKER BEFORE INSTALLATION.**

INSPECT ITEM CAREFULLY BEFORE ATTEMPTING TO INSTALL. IF THERE IS ANY DAMAGE OR OBVIOUS DEFECT, DO NOT INSTALL.

ITEM MAY NOT BE RETURNED ONCE IT HAS BEEN INSTALLED.

TO ASSEMBLE:

*** (PORTABLE ASSEMBLY) *** (See Fig. 1)

1. Remove all parts carefully from the box.
2. Screw threaded nipple of cord cover (D) into bottom threaded opening of fixture base (C). Thread cord cover (E) into cord cover (D) and thread cord cover (F) into cord cover (E) by hand.
3. Remove the key hole mounting plate from fixture base (C) by removing side screws (N). Put this plate on the wall where your desired install, mark the key hole position on the wall with a pencil. Attach the plate to the fixture base (C) and secure with side screws (N).
4. Drill two 8 mm holes in the wall, the holes should be big enough to be accommodated with plastic anchors (A). Install plastic anchors (A) into the holes in the wall.
5. Insert wood screws (B) into plastic anchors (A), make sure screwhead with 1/8" threads are visible.
6. Hook fixture (C) onto both screws (B).
7. Remove socket ring (K) from socket (I). Attach shade (J) onto socket (I) and secure socket ring (K).
8. Insert the specified light bulb (not included) into socket.
9. Remove plastic cover (G) from plug (H).
10. Plug lamp into wall outlet.

*** (HARD WIRE INSTALLATION) *** (See Fig. 2)

We strongly recommend that a professional electrician install the fixture.

Switch off the main electrical supply from the main fuse box/circuit breaker before installation.

1. Remove the key hole mounting plate from fixture base (C) by removing side screws (N).
2. Attach mounting plate (O) to wall outlet box with mounting screws (P) provided. Guide wiring from wall outlet through center hole in mounting plate (O).
3. Cut fixture cord twelve inches away from fixture base (C) and remove by grasping plug (F) and pulling out of cord cover (D, E & F).
4. Insert the DW plug (Q) to the threaded hole vacated by the cord.
5. Connect the ground screw (green color) of the fixture to the bare copper ground wire in the box. The insulation on the fixture cord that was cut to twelve inches in step 3 has a smooth side and a ribbed side. Connect the smooth wire to the black wire in the outlet box (not shown in diagram). Connect the ribbed wire to the white wire in the outlet box.
6. Attach fixture base (C) to the affixed mounting plate (O) and secure with side screws (N).
7. Remove socket ring (K) from socket (I). Attach shade (J) onto socket (I) and secure socket ring (K).
8. Insert the specified light bulb (not included) into socket.

To Adjustment:

1. Loosen adjustment keys (L)
2. Swing lamp arm (M), (R) or socket (I) to the desired angles.
3. Tighten adjustment keys (L)

*** Clean with a dry, soft cloth only. Use no harsh abrasives or chemical agents.



VISUAL COMFORT & Co. Est. 1987