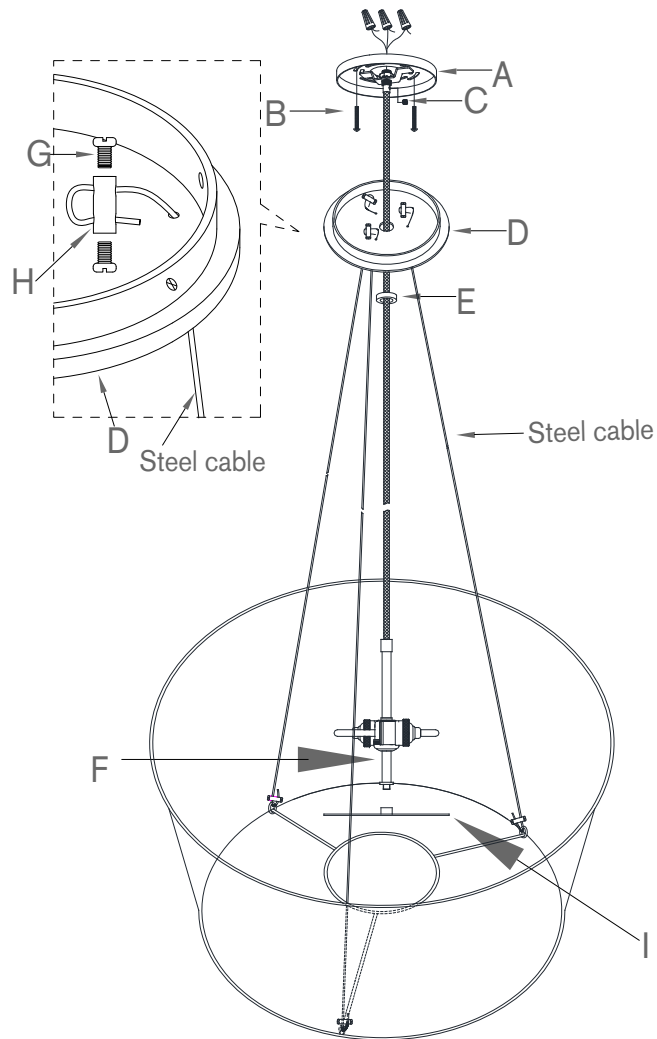


## ASSEMBLY INSTRUCTIONS



### Hoop Medium Pendant

Item # BBL 5115

**WE RECOMMEND INSTALLATION OF THIS LIGHTING FIXTURE BE DONE BY A LICENSED ELECTRICIAN.**

**WARNING \*\*\* SWITCH OFF THE MAIN ELECTRICAL SUPPLY FROM THE MAIN FUSE BOX/CIRCUIT BREAKER BEFORE INSTALLATION.**

**INSPECT ITEM CAREFULLY BEFORE ATTEMPTING TO INSTALL. IF THERE IS ANY DAMAGE OR OBVIOUS DEFECT, DO NOT INSTALL.**

**ITEM MAY NOT BE RETURNED ONCE IT HAS BEEN INSTALLED.**

1. Carefully remove all parts from the carton.
2. Remove mounting plate (A) from canopy (D) by removing collar ring (E).
3. To determine the hanging length for the pendant, and adjust the length per below:
  - a. Loosen screws (G) on both ends of cable lock nut (H), feed the 3 steel cables through the holes on canopy (D) and lock nut (H).
  - b. Adjust the 3 steel cables to desired length, and cut the extra length of the steel cables.
  - c. Secure the 3 steel cables with screws (G).
4. Affix mounting plate (A) to ceiling outlet box with mounting screws (B) provided.
5. Loosen set screw (C), adjust the wires to the desired hanging height and secure by tighten set screw (C).
6. Gently pull the wires from the ceiling outlet and allow the wires to hang. Feed the wires through the center hole of mounting plate (A).
7. Attach ground (green) wire to ground wire from wall outlet box (usually green or copper in color), fasten together with a plastic wire connector. Tightly wrap the wire connector with electrical tape, so the end of the connector is sealed. IT IS IMPERATIVE THAT THE OUTLET BOX IN YOUR HOME BE PROPERLY GROUNDED.
8. Connect neutral (white) fixture wire coming from fixture base to neutral (usually white) outlet wire. Fasten both wires together with a plastic wire connector and tightly wrap the wire connector with electrical tape.
9. Repeat the procedure with the hot (black) wires. Always make sure that no wire strands are left outside the connectors. DO NOT REVERSE THE HOT AND NEUTRAL CONNECTIONS OTHERWISE SAFETY WILL BE COMPROMISED.
10. Tuck wire connections neatly into ceiling outlet box.
11. Slip canopy (D) flush to ceiling and secure with collar ring (E)
12. Thread the diffuser (I) onto the bottom of rod (F) by turning in a clockwise direction until tight.
13. Insert light bulbs (not included) into sockets.
14. Installation is complete. Restore power and test fixture.

\*\*\* Clean with a dry, soft cloth only. Use no harsh abrasives or chemical agents.