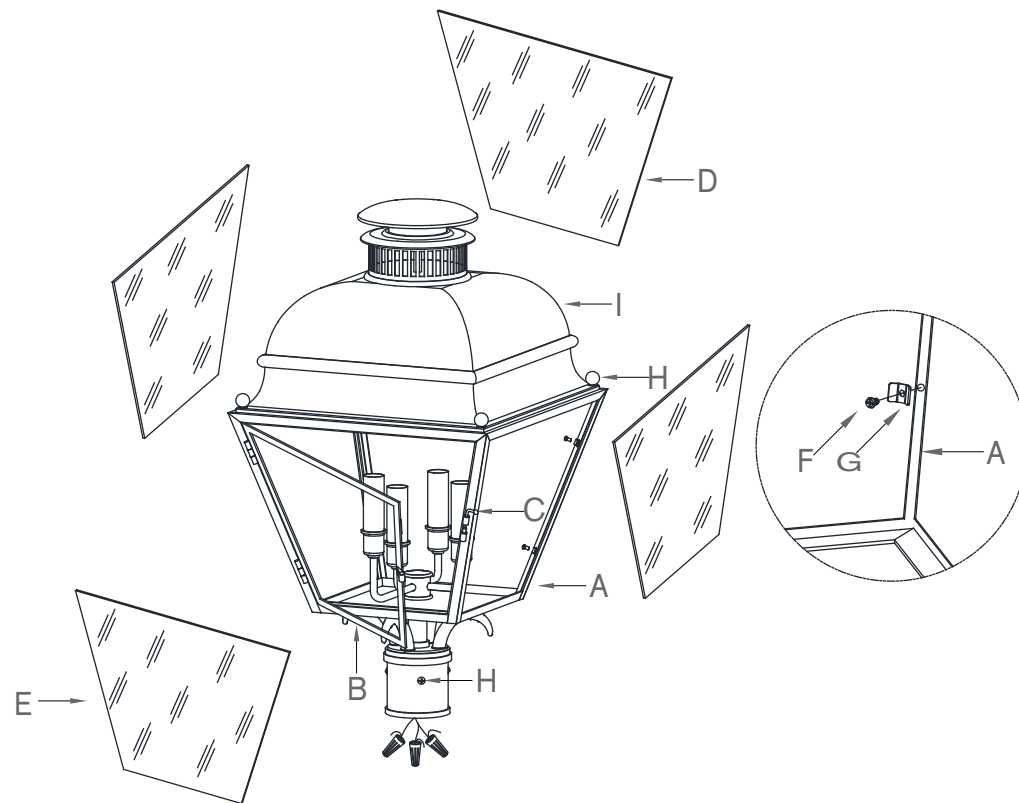


ASSEMBLY INSTRUCTIONS



Holborn Medium Post Light Item # CHO 7215

WE RECOMMEND INSTALLATION OF THIS LIGHTING FIXTURE BE DONE BY A LICENSED ELECTRICIAN.

WARNING * SWITCH OFF THE MAIN ELECTRICAL SUPPLY FROM THE MAIN FUSE BOX/CIRCUIT BREAKER BEFORE INSTALLATION.**

INSPECT ITEM CAREFULLY BEFORE ATTEMPTING TO INSTALL. IF THERE IS ANY DAMAGE OR OBVIOUS DEFECT, DO NOT INSTALL.

ITEM MAY NOT BE RETURNED ONCE IT HAS BEEN INSTALLED.

1. Carefully remove all parts from the carton.
2. Open the lantern cap (I) by removing the ball nuts (H).
3. Open the door (B) by removing lock pin (C).
4. Remove metal tabs (G) by removing screws (F), insert glass panels (D) to the frame of lantern box (A) and secure by placing metal tabs (G) to the glass panels (D), tighten with screws (F).
5. Slide the glass panel (E) to the door (B).
6. Insert light bulbs (not included) into the sockets.
7. Close the door (B) with lock pin (C).
8. Replace the lantern cap (I) to the lantern box and secure with ball nuts (H).
9. Connect neutral (white) fixture wire coming from fixture base to neutral (usually white) outlet wire. Fasten both wires together with a plastic wire connector and tightly wrap the wire connector with electrical tape.
10. Repeat the procedure with the hot (black) wires. Always make sure that no wire strands are left outside the connectors. **DO NOT REVERSE THE HOT AND NEUTRAL CONNECTIONS OTHERWISE SAFETY WILL BE COMPROMISED.**
11. Wire the lantern to outlet and secure the lantern box by loosening/tightening the screws (H).
12. INSTRUCTIONS FOR MOUNTING FIXTURE OUTDOORS AND/OR IN WET LOCATION:
 - a. Mounting surface should be clean, dry, flat and 1/4" larger than canopy/fixture base on all sides. Any gaps between the mounting surface and fixture base exceeding 3/16" should be corrected as required.
 - b. With silicone (ex. GE-108) caulking compound, caulk completely around where back of canopy/fixture base meets the wall surface to prevent water from seeping into outlet box. **TO AVOID WATER ENTERING THE FIXTURE BASE FROM THE SIDE OF FIXTURE, THIS FIXTURE MUST BE MOUNTED ABOVE 1.2M (4 FT) FROM GROUND.**

*** Clean with a dry, soft cloth only. Use no harsh abrasives or chemical agents.