

## ASSEMBLY INSTRUCTIONS

## Henry Industrial Hanging Light

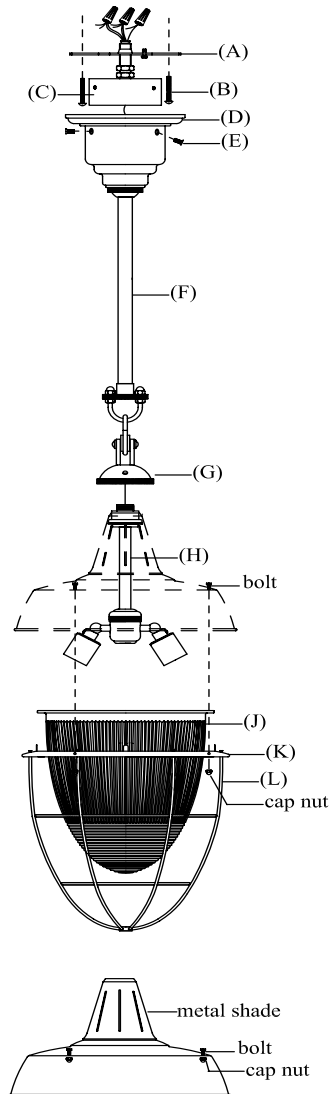
Item # TOB5042

**WE RECOMMEND INSTALLATION OF THIS LIGHTING FIXTURE BE DONE BY A LICENSED ELECTRICIAN.**

**WARNING \*\*\* SWITCH OFF THE MAIN ELECTRICAL SUPPLY FROM THE MAIN FUSE BOX/CIRCUIT BREAKER BEFORE INSTALLATION.**

**INSPECT ITEM CAREFULLY BEFORE ATTEMPTING TO INSTALL. IF THERE IS ANY DAMAGE OR OBVIOUS DEFECT, DO NOT INSTALL.**

**ITEM MAY NOT BE RETURNED ONCE IT HAS BEEN INSTALLED.**



1. Pull out the wires from lamp pole (F) and top loop (G).
2. Carefully place metal shade (pack separately) on top threaded section of socket assembly (H). Re-wires the top loop (G) and lamp pole (F).
3. Thread top of socket assembly (H) with metal shade into bottom of top loop (G).
4. Insert glass shade (J) into metal frame (L), make sure the metal tabs (K) on top edge of metal frame (L) are facing upwards before placing the glass shade. Secure the glass shade (J) by bending back metal tabs (K) to the edge of glass shade (J). Install bulb of correct type and wattage. See label on lamp.
5. Remove cap nuts from the bolts attach on metal shade, attach glass shade (J) with metal frame (L) to the metal shade, align the holes on the metal shade with the holes on top edge of metal frame (L), insert the bolt into the holes and secure with cap nuts.
6. Remove mounting strap (A) with mounting plate (C) by loosen base screws (E).
7. Attach mounting strap (A) to ceiling outlet box using mounting screws (B).
8. Attach ground (silver or copper in color) fixture wire to ground wire from ceiling outlet box (usually green or copper in color), and fasten together with a plastic wire connector. Tightly wrap the wire connector with electrical tape so the end of the connector is sealed.  

IT IS IMPERATIVE THAT THE OUTLET BOX IN YOUR HOME BE PROPERLY GROUNDED.
9. Connect the neutral (RIBBED, without any marking) fixture wire to the neutral (usually white) wire from ceiling outlet box. Fasten both wires together with a plastic wire connector and tightly wrap the wire connector with electrical tape.



## ASSEMBLY INSTRUCTIONS

## Henry Industrial Hanging Light

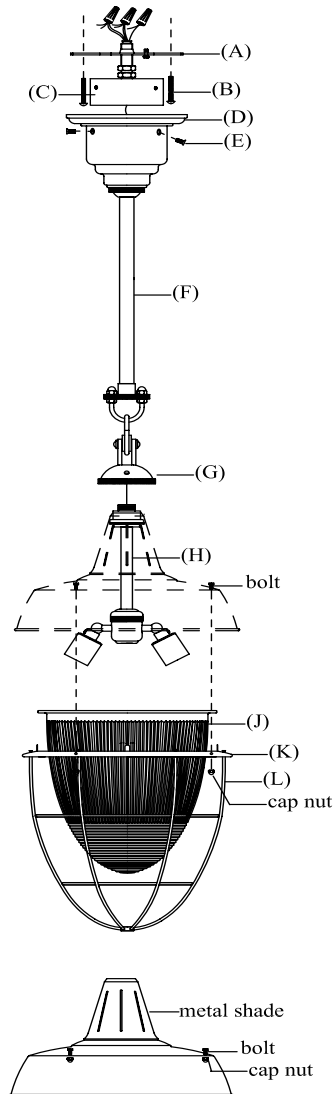
Item # TOB5042

**WE RECOMMEND INSTALLATION OF THIS LIGHTING FIXTURE BE DONE BY A LICENSED ELECTRICIAN.**

**WARNING \*\*\* SWITCH OFF THE MAIN ELECTRICAL SUPPLY FROM THE MAIN FUSE BOX/CIRCUIT BREAKER BEFORE INSTALLATION.**

**INSPECT ITEM CAREFULLY BEFORE ATTEMPTING TO INSTALL. IF THERE IS ANY DAMAGE OR OBVIOUS DEFECT, DO NOT INSTALL.**

**ITEM MAY NOT BE RETURNED ONCE IT HAS BEEN INSTALLED.**



10. Repeat the procedure with the hot (ROUND, with UL marking on) wire to hot (usually black) outlet wire. Always make sure that no wire strands are left outside of the connections.  
DO NOT REVERSE THE HOT AND NEUTRAL CONNECTIONS  
OTHERWISE SAFETY WILL BE COMPROMISED.
11. Tuck wire connection neatly into ceiling outlet box.
12. Attach canopy base (D) to mounting base (C), and secure by replacing base screws (E).