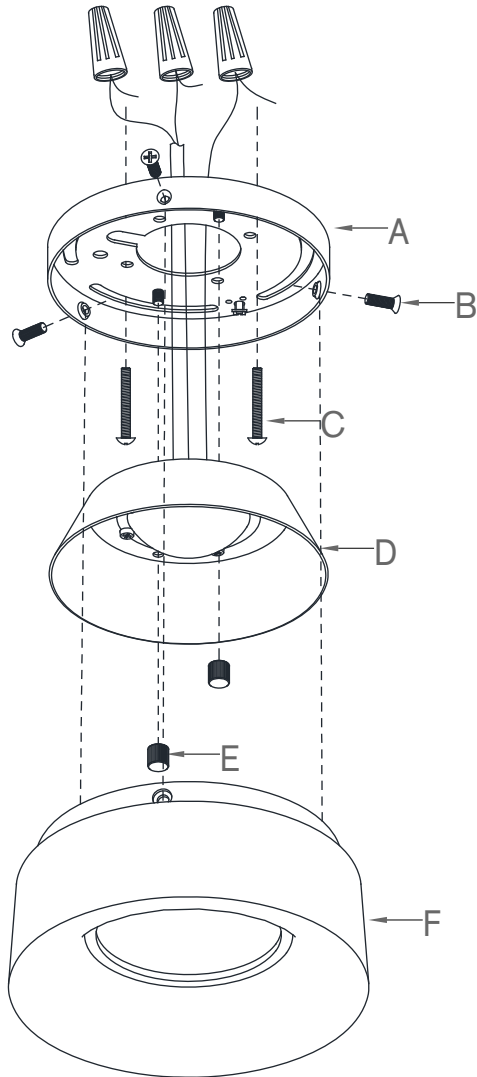


ASSEMBLY INSTRUCTIONS



Halo Petite Flush Mount Item # BBL 4090

WE RECOMMEND INSTALLATION OF THIS LIGHTING FIXTURE BE DONE BY A LICENSED ELECTRICIAN.

WARNING * SWITCH OFF THE MAIN ELECTRICAL SUPPLY FROM THE MAIN FUSE BOX/CIRCUIT BREAKER BEFORE INSTALLATION.**

INSPECT ITEM CAREFULLY BEFORE ATTEMPTING TO INSTALL. IF THERE IS ANY DAMAGE OR OBVIOUS DEFECT, DO NOT INSTALL.

ITEM MAY NOT BE RETURNED ONCE IT HAS BEEN INSTALLED.

1. Carefully remove all parts from the carton.
2. Remove fixture base (F) from mounting plate (A) by removing base screws (B).
3. Remove part (D) from mounting plate (A) by removing cap nuts (E).
4. Affix mounting plate (A) to ceiling outlet box with mounting screws (C) provided.
5. Attach ground (green or green/yellow) wire to ground wire from ceiling outlet box (usually green or copper in color), fasten together with a plastic wire connector. Tightly wrap the wire connector with electrical tape, so the end of the connector is sealed. IT IS IMPERATIVE THAT THE OUTLET BOX IN YOUR HOME BE PROPERLY GROUNDED.
6. Connect both neutral (white) fixture wire coming from fixture base to neutral (usually white) outlet wire. Fasten three wires together with a plastic wire connector and tightly wrap the wire connector with electrical tape.
7. Repeat the same procedure with the hot (black) wires. Always make sure that no wire strands are left outside the connectors. DO NOT REVERSE THE HOT AND NEUTRAL CONNECTIONS OTHERWISE SAFETY WILL BE COMPROMISED.
8. Replace part (D) to mounting plate (A), letting the rods on mounting plate (A) pass through the holes of part (D) and secure with cap nuts (E).
9. Replace fixture base (F) to mounting plate (A) and secure with base screws (B).
10. Restore power and test fixture. Installation is complete.

*** Clean with a dry, soft cloth only. Use no harsh abrasives or chemical agents.