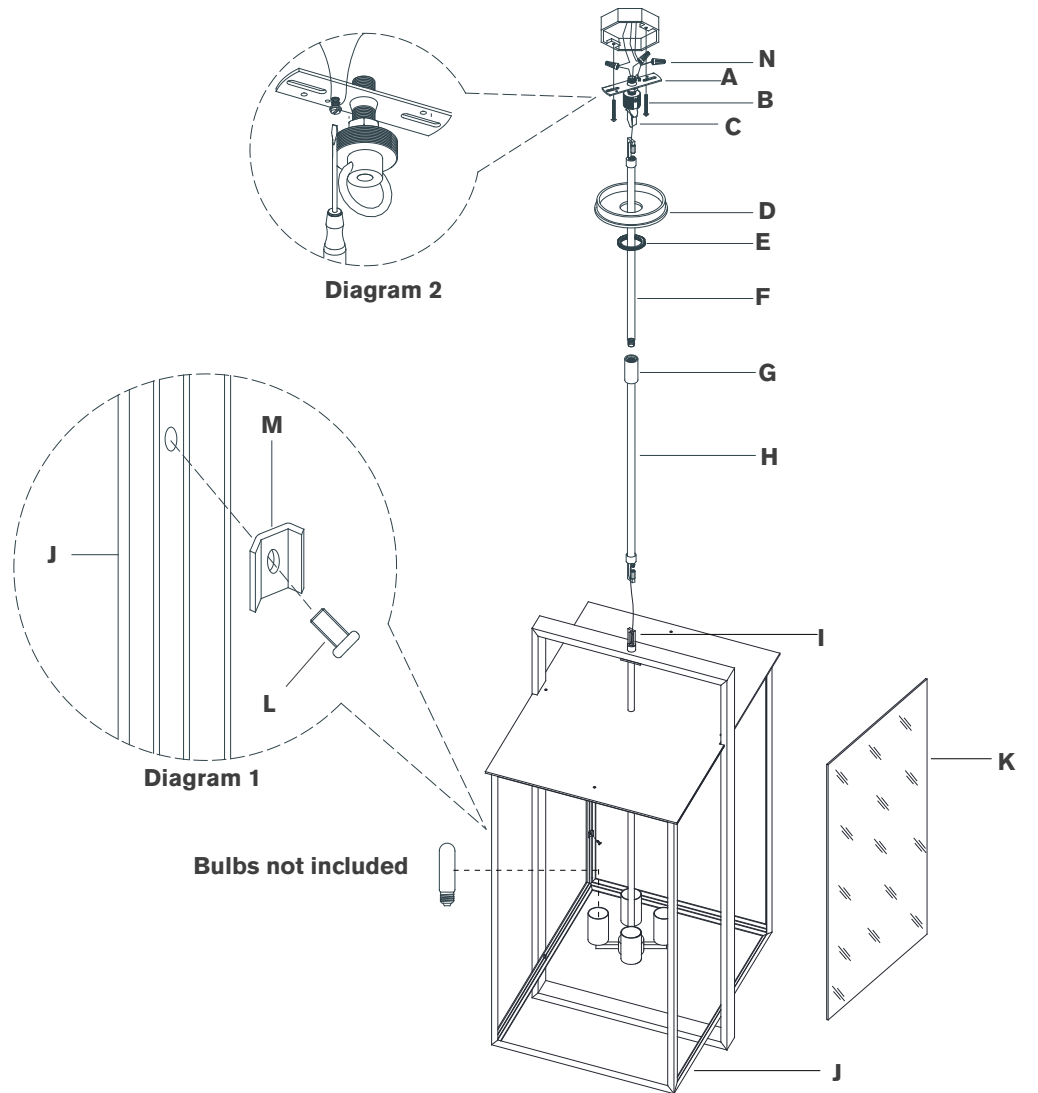


ASSEMBLY INSTRUCTIONS



Hall Medium hanging Lantern

Item # S 5793

NOTICE:

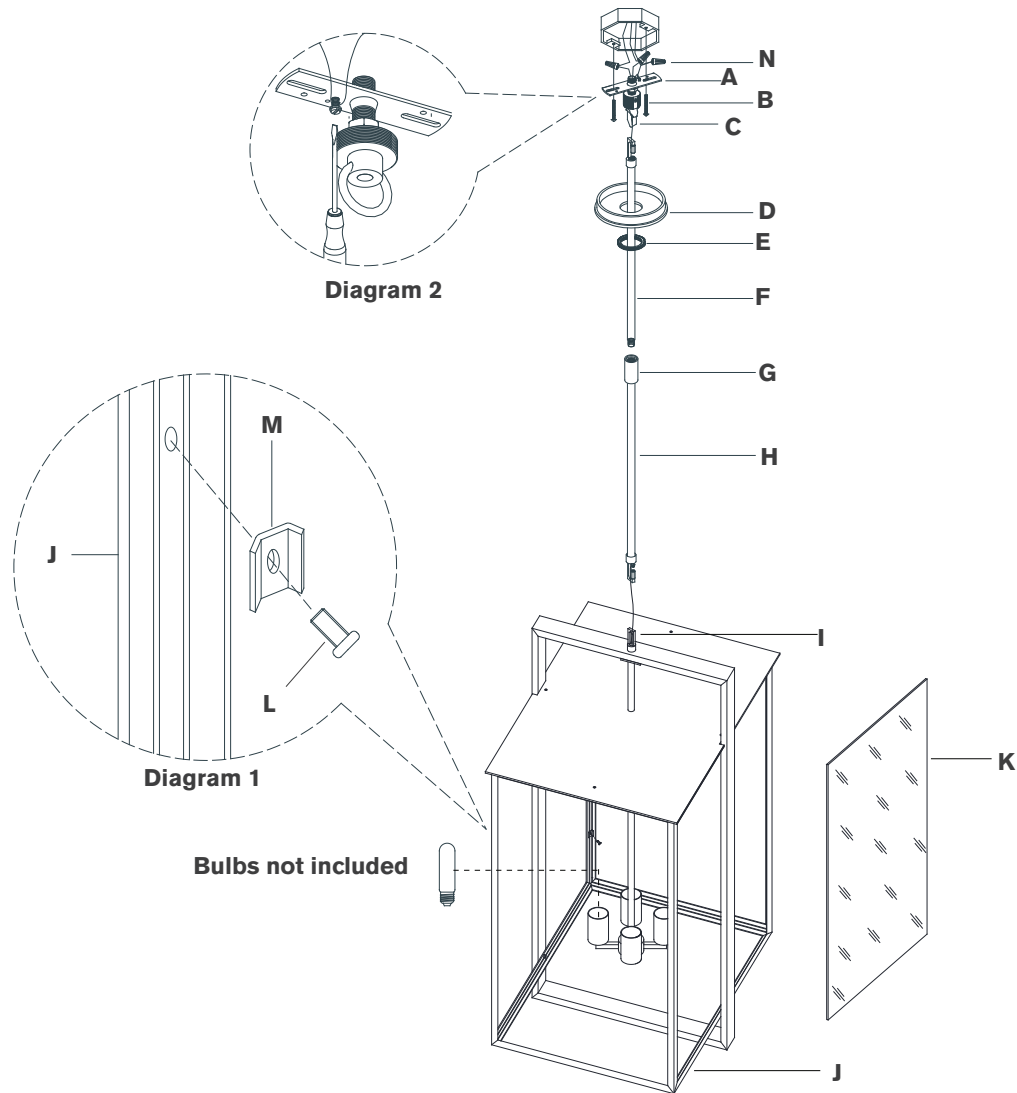
This light fixture should be installed in accordance with all applicable, local installation codes, and by a person familiar with the construction and operation of it, as well as the hazards involved. Inspect item and contents carefully. If any damage or defect is found, do not install. Retain all packaging material until installation is complete and approved.

TOOLS REQUIRED (NOT INCLUDED):

Phillips Screwdriver	Slotted Screwdriver	Wire Cutters
Slip Joint Pliers	Wire Strippers	

1. Carefully remove all parts from the box. Place on a clean, soft surface.
2. Remove collar ring (E) from collar loop (C).
3. Install mounting plate (A) to junction box and secure with mounting screws (B).
4. Secure collar loop (C) to mounting plate (A) using pliers to tighten lock nut.
5. Install canopy (D) to collar loop (C) and secure with collar ring (E).
6. Remove metal bars (M) from fixture frame (J) by removing screws (L).
7. Install light bulbs into the sockets.
8. Install glass panels (K) to fixture frame (J) and secure with metal bars (M) using screws (L) (see diagram 1).
9. Feed fixture wire and ground wire through bottom rod (H) and top rod (F).
10. Connect top rod (F) to coupling (G), then attach to fixture loop (I) and collar loop (C). Secure links at ends of rods.
NOTE: Ensure there is no tension on the wires. Cut excess wires, being sure to leave about 12" to reach the junction box.
11. Separate two sides of molded wire, and strip insulation on each 5/8".
12. Loosen collar ring (E) and let canopy (D) slip down rods carefully.

ASSEMBLY INSTRUCTIONS



Hall Medium hanging Lantern

Item # S 5793

NOTICE:

This light fixture should be installed in accordance with all applicable, local installation codes, and by a person familiar with the construction and operation of it, as well as the hazards involved. Inspect item and contents carefully. If any damage or defect is found, do not install. Retain all packaging material until installation is complete and approved.

- Twist all fixture wires together. Slip through center hole of collar loop (**C**).
- NOTE:** Untwist wires and separate to prepare for connection.
- Wrap fixture ground wire (bare copper) around the green grounding screw (see diagram 2). Tighten. Continue fixture ground wire and connect to supply ground wire (usually green or bare copper) using wire nut (**N**).
- NOTE:** It is imperative that the fixture is grounded.
- Connect fixture neutral wire (ribbed) to the supply neutral wire (usually white) using wire nut (**N**).
- Connect fixture hot wire (smooth with markings) to the supply hot wire (usually black) using wire nut (**N**).
- CAUTION:** Do not reverse the hot and neutral connections.
- Make sure all wire connections are tight, then carefully tuck into the junction box.
- Install canopy (**D**) to collar loop (**C**) and secure with collar ring (**E**).

Care Instructions: Clean only with a soft dry cloth or feather duster. Do not use abrasive or chemical agents