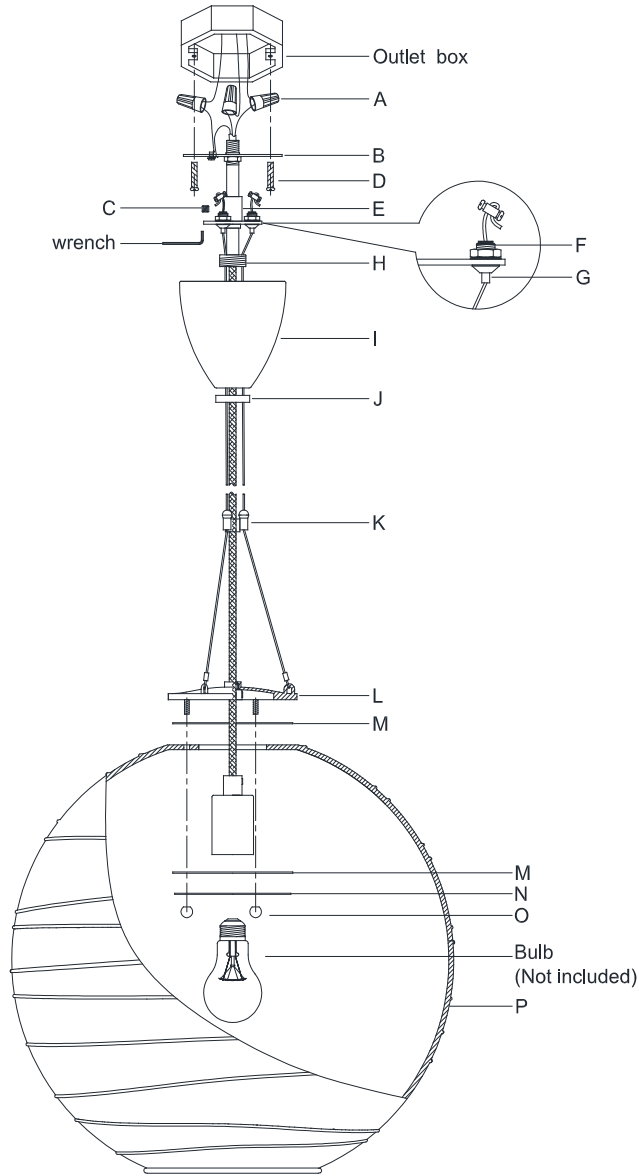


## ASSEMBLY INSTRUCTIONS



## Hailey Medium Round Pendant

Item # AH 5015

**WE RECOMMEND INSTALLATION OF THIS LIGHTING FIXTURE BE DONE BY A LICENSED ELECTRICIAN.**

**WARNING\*\*\*SWITCH OFF THE MAIN ELECTRICAL SUPPLY FROM THE MAIN FUSE BOX/CIRCUIT BREAKER BEFORE INSTALLATION. INSPECT ITEM CAREFULLY BEFORE ATTEMPTING TO INSTALL. IF THERE IS ANY DAMAGE OR OBVIOUS DEFECT. DO NOT INSTALL. ITEM MAY NOT BE RETURNED ONCE IT HAS BEEN INSTALLED.**

**NOTE: CAREFULLY UNPACK EACH PIECE IN TOP LAYER OF PACKING PRIOR TO REMOVING. RETAIN ALL PACKING MATERIAL UNTIL INSPECTION AND INSTALLATION ARE FINAL.**

1. Carefully remove all parts from the box.
2. Attach the plastic washer (M) and glass shade (P) to the center plate (L) and secure with plastic washer (M), metal washer (N), ball nuts (O).
3. Loosen the lock collar (J) and let the canopy (I) slip down.
4. Install the mounting plate (B) to the outlet box and secure with screws (D).
5. With the fixture dimension as a guide, shorten the safety cable. First, press the button (G) on the bottom of the safety cable nut (F). Second, adjust the length of the safety cable. Then loosen the button.
6. Loosen the screw (C) on the connector (E), adjust the length of the power supply wire, then secure with the screw (C) by the wrench.
7. Cut the power supply wire. Be certain to leave enough to connect inside of the outlet box.
8. Connect the fixture ground (bare) wire with the ground wire from the outlet box using wire nut (A). If your house does not have ground wire, then attach this wire to the green grounding screw inside of the outlet box.  
IT IS IMPERATIVE THAT THIS FIXTURE BE GROUNDED.
9. Connect the fixture Neutral wire (ribbed, no markings) with the neutral wire from the outlet box using wire nut (A).
10. Connect the fixture Hot wire (smooth edge, markings) with the hot wire from the outlet box using wire nut (A).  
DO NOT REVERSE THE HOT AND NEUTRAL CONNECTIONS OR SAFETY WILL BE COMPROMISED.
11. Tuck these wire connections neatly to the outlet box to secure.
12. Attach the canopy (I) to the ceiling loop (H) and secure with lock collar (J).
13. Insert the bulb (not included) to the socket .
14. Installation is complete, turn on power at fuse or circuit breaker.

\*\*\*Clean with a dry, soft cloth only. Use no harsh abrasives or chemical agents.



**VISUAL COMFORT & Co.** Est. 1987