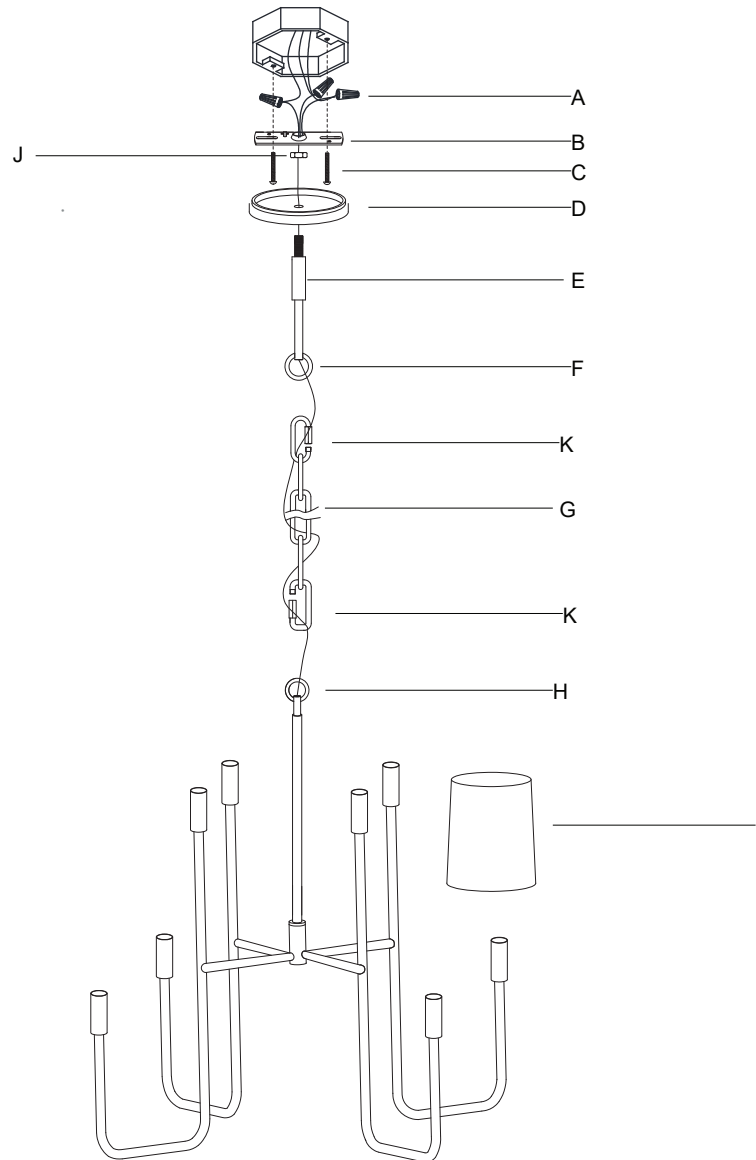


## ASSEMBLY INSTRUCTIONS



### Go Lightly Medium Chandelier

Item# BBL 5081

**WE RECOMMEND INSTALLATION OF THIS LIGHTING FIXTURE BE DONE BY A LICENSED ELECTRICIAN.**

**WARNING\*\*\*SWITCH OFF THE MAIN ELECTRICAL SUPPLY FROM THE MAIN FUSE BOX/CIRCUIT BREAKER BEFORE INSTALLATION.**

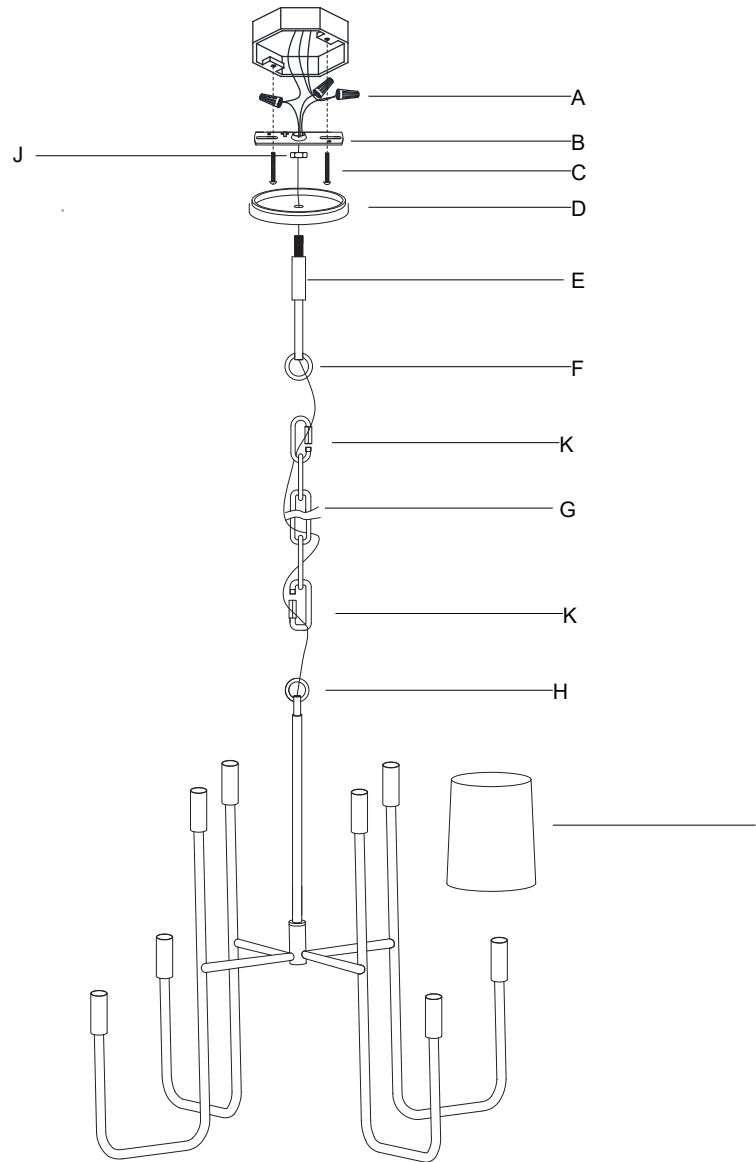
**INSPECT ITEM CAREFULLY BEFORE ATTEMPTING TO INSTALL. IF THERE IS ANY DAMAGE OR OBVIOUS DEFECT. DO NOT INSTALL.**

**ITEM MAY NOT BE RETURNED ONCE IT HAS BEEN INSTALLED.**

**NOTE: CAREFULLY UNPACK EACH PIECE IN TOP LAYER OF PACKING PRIOR TO REMOVING. RETAIN ALL PACKING MATERIAL UNTIL INSPECTION AND INSTALLATION ARE FINAL.**

1. Carefully remove all parts from the box.
2. Remove the hex nut (J) from the rod (F), then loosening the thumb tube (E) and slip down the rod (F) carefully.
3. Put the canopy (D) to the rod (F), then using a wrench (not provided) secure the mounting plate (B) to the threaded nipple on rod (F) using provided hex nuts (J).
4. Install the mounting strap (B) to junction box and secure with the mounting screws (C).
5. With the fixture dimension as a guide, shorten the chain (G) as needed using the pliers (not included)
6. Open the chain quick link (K), then attach the chain quick link (G) to the rod (F). Secure the chain quick link (K).
7. Open chain quick link (K) from the opposite side then attach to the fixture top loop (H). Secure the chain quick link (K).
8. Weave the fixture wires through the chain (G).
9. When you reach the rod (F), measure the wires then cut, be certain to leave enough length to connect the wires in the junction box.
10. Strip the insulation on the fixture wires about 5/8".
11. Twist the fixture wires together and push through the center hole of the rod (F).
12. Wrap the fixture ground wire to the green ground screw on the mounting strap (B) and secure, then connect to ground wire in the junction box using wire nut (A).  
IT IS IMPERATIVE THAT THIS FIXTURE BE GROUNDED.
13. Connect the fixture ribbed wire (no marking) to the junction box neutral wire with the wire nut (A).

## ASSEMBLY INSTRUCTIONS



## Go Lightly Medium Chandelier

Item# BBL 5081

**WE RECOMMEND INSTALLATION OF THIS LIGHTING FIXTURE BE DONE BY A LICENSED ELECTRICIAN.**

**WARNING\*\*\*SWITCH OFF THE MAIN ELECTRICAL SUPPLY FROM THE MAIN FUSE BOX/CIRCUIT BREAKER BEFORE INSTALLATION.**

**INSPECT ITEM CAREFULLY BEFORE ATTEMPTING TO INSTALL. IF THERE IS ANY DAMAGE OR OBVIOUS DEFECT. DO NOT INSTALL.**

**ITEM MAY NOT BE RETURNED ONCE IT HAS BEEN INSTALLED.**

**NOTE: CAREFULLY UNPACK EACH PIECE IN TOP LAYER OF PACKING PRIOR TO REMOVING. RETAIN ALL PACKING MATERIAL UNTIL INSPECTION AND INSTALLATION ARE FINAL.**

14. Connect the fixture smooth wire (with marking) to the junction box hot wire with the wire nut (A).  
DO NOT REVERSE THE HOT AND NEUTRAL CONNECTIONS OTHERWISE SAFETY WILL BE COMPROMISED.
15. Carefully tuck the wire connections into the junction box.
16. Install the canopy (D) to the junction box and secure with the thumb tube (E).
17. Insert bulbs (not included) into the sockets.
18. Clip the shades (I) onto the bulbs.
19. Installation is complete, turn on power at fuse or circuit breaker.

\*\*\*Clean with a dry, soft cloth only. Use no harsh abrasives or chemical agents.