

ASSEMBLY INSTRUCTIONS

GALE LIBRARY WALL LIGHT

Item # TOB 2156

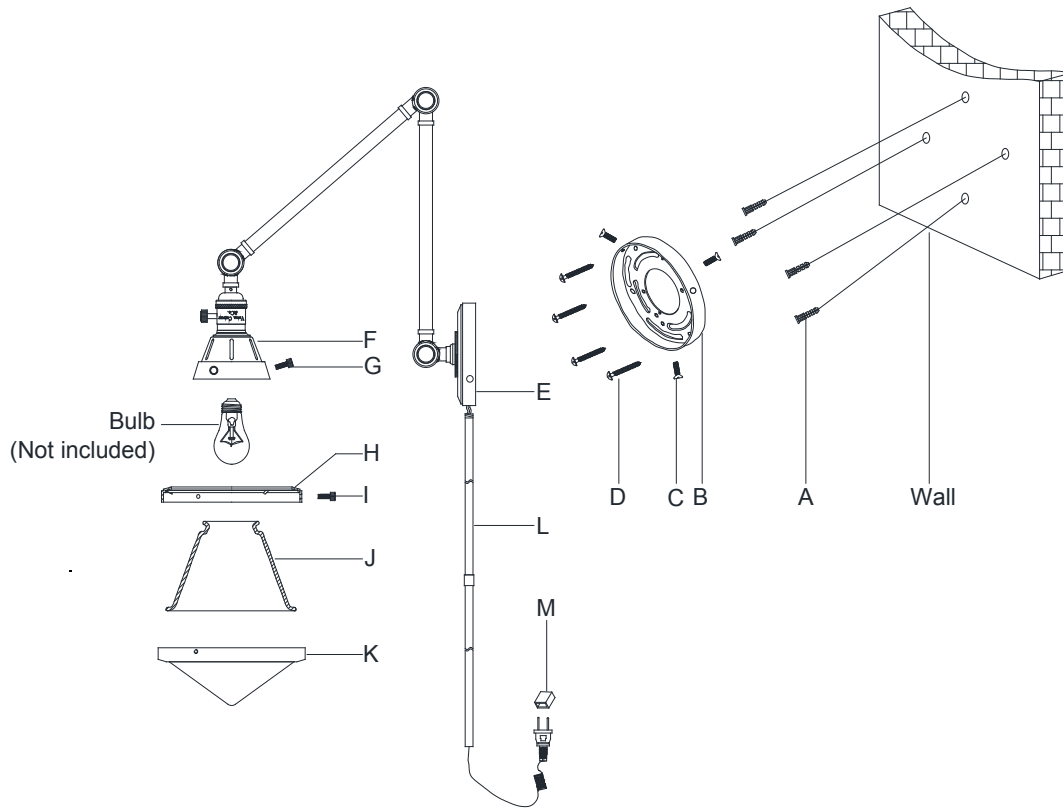
WE RECOMMEND INSTALLATION OF THIS LIGHTING FIXTURE BE DONE BY A LICENSED ELECTRICIAN.

WARNING*SWITCH OFF THE MAIN ELECTRICAL SUPPLY FROM THE MAIN FUSE BOX/CIRCUIT BREAKER BEFORE INSTALLATION.**

INSPECT ITEM CAREFULLY BEFORE ATTEMPTING TO INSTALL. IF THERE IS ANY DAMAGE OR OBVIOUS DEFECT. DO NOT INSTALL.

ITEM MAY NOT BE RETURNED ONCE IT HAS BEEN INSTALLED.

NOTE: CAREFULLY UNPACK EACH PIECE IN TOP LAYER OF PACKING PRIOR TO REMOVING. RETAIN ALL PACKING MATERIAL UNTIL INSPECTION AND INSTALLATION ARE FINAL.

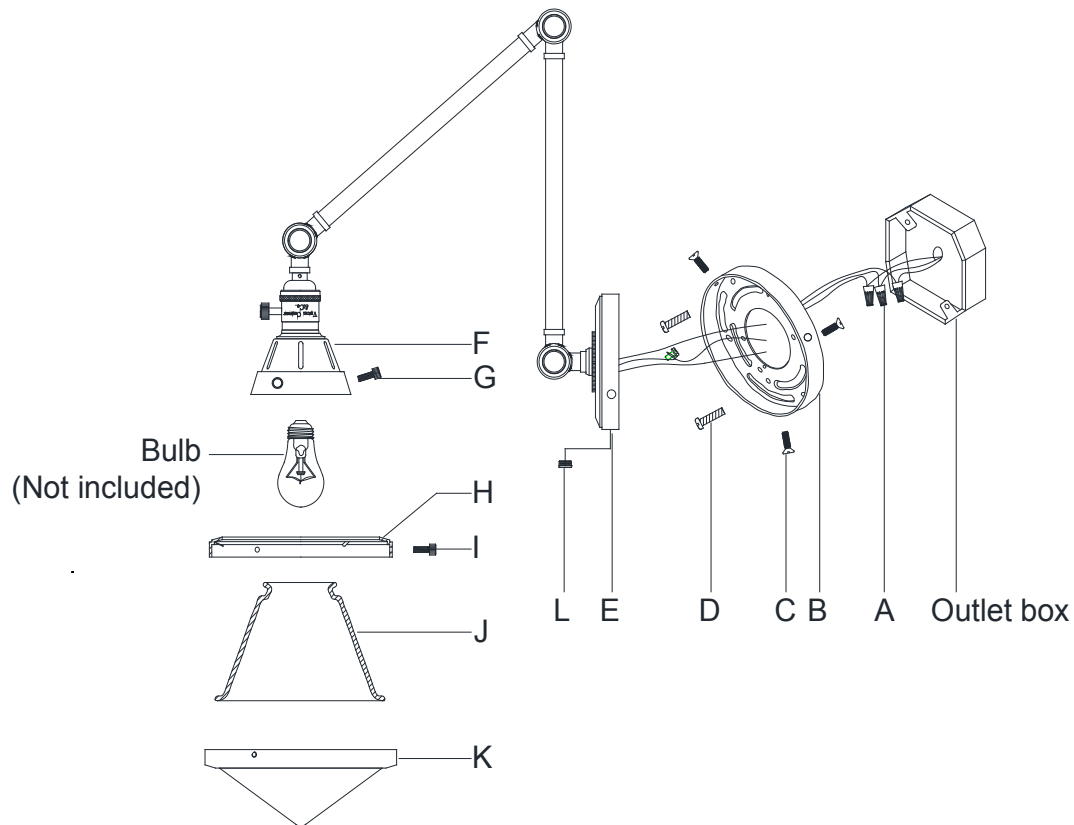


1. Carefully remove all parts from the box.
2. Remove the mounting plate (B) from fixture body (E) by loosening side screws (C).
3. Drill 4 holes on the wall and make sure the hole distance will match to the mounting plate (B) holes.
4. Knock the anchors (A) into the wall holes.
5. Affix mounting plate (B) onto the wall and secure with mounting screws (D).
6. Attach the fixture body (E) onto mounting plate (B) and secure with side screws (C).
7. Thread the cord cover (L) to the bottom of fixture body (E).
8. Attach the glass shade (J) to the metal plate (H) and secure with the metal tabs.
9. Attached the metal shade (K) to the metal plate (H) and secure with screws (I).
10. Insert bulb (not included) into the socket.
11. Attach the glass shade (J) to the metal cap (F) and secure with screws (G).
12. Remove protective plug cover (M) from the plug.
13. Plug into a proper electrical outlet and test the fixture.
14. Installation is complete, turn on power at fuse or circuit breaker.

***Clean with a dry, soft cloth only. Use no harsh abrasives or chemical agents.



ASSEMBLY INSTRUCTIONS



GALE LIBRARY WALL LIGHT

Item # TOB 2156

WE RECOMMEND INSTALLATION OF THIS LIGHTING FIXTURE BE DONE BY A LICENSED ELECTRICIAN.

WARNING*SWITCH OFF THE MAIN ELECTRICAL SUPPLY FROM THE MAIN FUSE BOX/CIRCUIT BREAKER BEFORE INSTALLATION.**

INSPECT ITEM CAREFULLY BEFORE ATTEMPTING TO INSTALL. IF THERE IS ANY DAMAGE OR OBVIOUS DEFECT. DO NOT INSTALL.

ITEM MAY NOT BE RETURNED ONCE IT HAS BEEN INSTALLED.

NOTE: CAREFULLY UNPACK EACH PIECE IN TOP LAYER OF PACKING PRIOR TO REMOVING. RETAIN ALL PACKING MATERIAL UNTIL INSPECTION AND INSTALLATION ARE FINAL.

1. Carefully remove all parts from the box.
2. Remove the mounting plate (B) from fixture body (E) by loosening side screws (C).
3. Affix mounting plate (B) onto the outlet box and secure with mounting screws (D).
4. Connect the hot wire (BLACK) from the fixture to the hot wire from the outlet box (usually BLACK). Fasten them together with a plastic wire connector (A) provided and wrap the connection with electrical tape.
5. Connect the neutral wire (WHITE) from the fixture to the wire from the outlet box (usually WHITE).

DO NOT REVERSE THE HOT AND NEUTRAL CONNECTIONS OR SAFETY WILL BE COMPROMISED.

6. Connect ground wire from the fixture (bare copper) to ground wire from the outlet box (usually green or copper in color).

IT IS IMPERATIVE THAT THIS FIXTURE BE GROUNDED.

7. Attach the fixture body (E) onto mounting plate (B) and secure with side screws (D).
8. Thread the cap (L) to the bottom of the fixture body (E).
9. Attach the glass shade (J) to the metal plate (H) and secure with the metal tabs.
10. Attached the metal shade (K) to the metal plate (H) and secure with screws (I).
11. Insert bulb (not included) into the socket.
12. Attach the glass shade (J) to the metal cap (F) and secure with screws (G).
13. Installation is complete, turn on power at fuse or circuit breaker.

***Clean with a dry, soft cloth only. Use no harsh abrasives or chemical agents.



VISUAL COMFORT & Co. Est. 1987