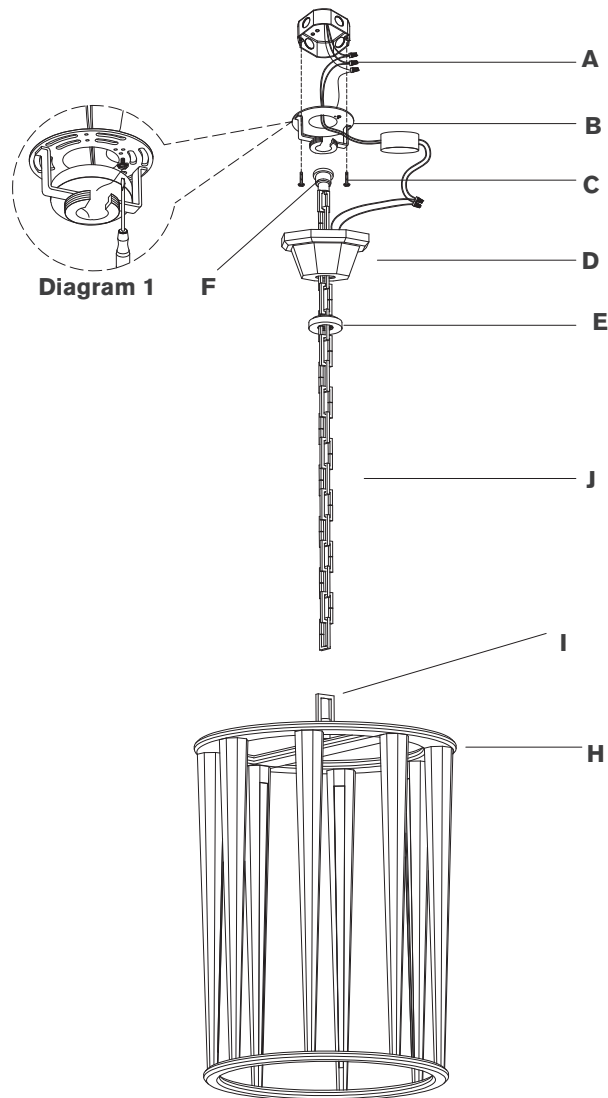


ASSEMBLY INSTRUCTIONS



Galahad Medium Lantern

Item # TOB5718

NOTICE:

This light fixture should be installed in accordance with all applicable, local installation codes, and by a person familiar with the construction and operation of it, as well as the hazards involved. Inspect item and contents carefully. If any damage or defect is found, do not install. Retain all packaging material until installation is complete and approved.

TOOLS REQUIRED (NOT INCLUDED):

Phillips Screwdriver	Slotted Screwdriver	Wire Cutters
Wire Strippers	Chain Pliers	Slip Joint Pliers
Measuring Tape		

1. Carefully remove all parts from the box. Place on a clean, soft surface.
2. Remove mounting plate (B) from canopy (D) by removing collar ring (E).
3. Install mounting plate (B) to junction box and secure with mounting screws (C).
4. Determine desired overall length, and amount of chain (J) needed. Shorten chain (J) using chain pliers (Keep extra chain).
5. Add collar ring (E) and canopy (D) to chain (J), then attach chain (J) to fixture loop (I) using chain pliers.
6. Thread fixture wire and ground wire through chain (G), collar ring (E) and canopy (D).
7. Hang fixture collar loop (F) to the center of mounting plate (B).
8. Cut excess wires, being sure to leave enough length to reach the junction box.
9. Separate two sides of molded wire, and strip insulation on each 5/8".
10. Connect fixture neutral wire (black) to the driver output neutral wire (black) using wire nut (A).
11. Connect fixture hot wire (red) to the driver output hot wire (red) using wire nut (A).
12. Connect supply ground wire (usually green or bare copper) around the green grounding screw (see diagram 1). Tighten.

NOTE: It is imperative that the fixture is grounded.

