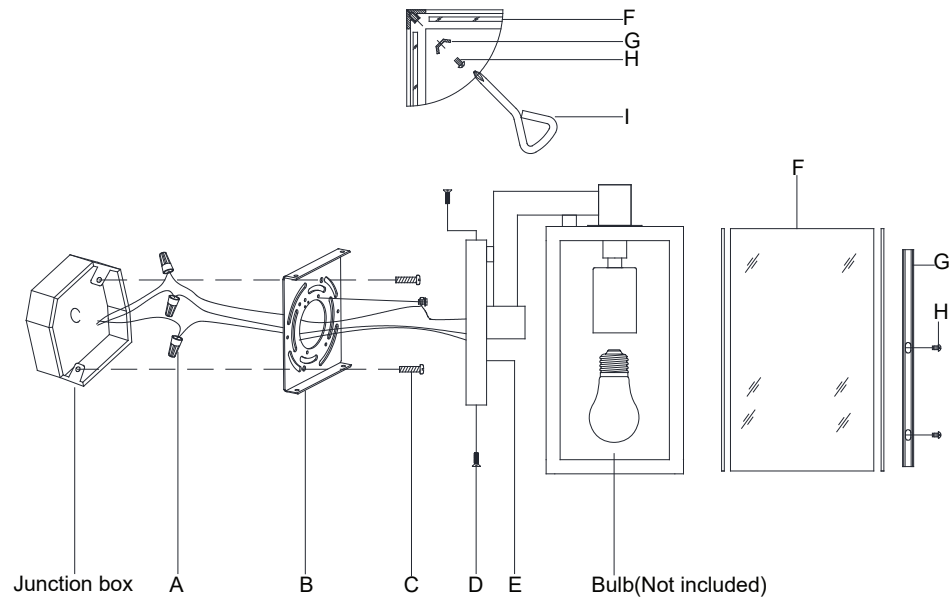


ASSEMBLY INSTRUCTIONS



Fresno Framed Short Sconce

Item # CHD 2930

WE RECOMMEND INSTALLATION OF THIS LIGHTING FIXTURE BE DONE BY A LICENSED ELECTRICIAN.

WARNING*SWITCH OFF THE MAIN ELECTRICAL SUPPLY FROM THE MAIN FUSE BOX/CIRCUIT BREAKER BEFORE INSTALLATION.**

INSPECT ITEM CAREFULLY BEFORE ATTEMPTING TO INSTALL. IF THERE IS ANY DAMAGE OR OBVIOUS DEFECT. DO NOT INSTALL.

ITEM MAY NOT BE RETURNED ONCE IT HAS BEEN INSTALLED.

NOTE: CAREFULLY UNPACK EACH PIECE IN TOP LAYER OF PACKING PRIOR TO REMOVING. RETAIN ALL PACKING MATERIAL UNTIL INSPECTION AND INSTALLATION ARE FINAL.

1. Carefully remove all parts from the box.
 2. Remove the mounting plate (B) from the fixture body (E) by unscrewing the side screws (D).
 3. Install the mounting plate (B) to the junction box and secure with the mounting screws (C).
 4. Remove the metal bars (G) from the fixture body (E) by unscrewing the screws (H) using the screwdriver (I).
 5. Attach the glass panels (F) to the fixture body (E) and secure with the metal bars (G) and screws (H) using the screwdriver (I).
DO NOT OVER-TIGHTEN . OTHERWISE THE GLASS PANELS COULD BE DAMAGED.
 6. Wrap the fixture ground wire to the green ground screw on the mounting plate (B) and secure, then connect to the ground wire in the junction box using the wire nut (A).
IT IS IMPERATIVE THAT THIS FIXTURE BE GROUNDED.
 7. Connect the fixture white wire to the neutral wire in the junction box using the wire nut (A).
 8. Connect the fixture black wire to the hot wire in the junction box using the wire nut (A).
DO NOT REVERSE THE HOT AND NEUTRAL CONNECTIONS OTHERWISE SAFETY WILL BE COMPROMISED.
 9. Install the fixture body (E) to the mounting plate (B) and secure with the side screws (D).
 10. Insert bulb (not included) into the socket.
- FOR OUTDOOR/WET LOCATION INSTALLATION:
11. With silicone caulking compound, caulk completely around where back of backplate meets the wall surface to prevent water from seeping into the junction box.
 12. Installation is complete, turn on power at fuse or circuit breaker.

***Clean with a dry, soft cloth only. Use no harsh abrasives or chemical agents.