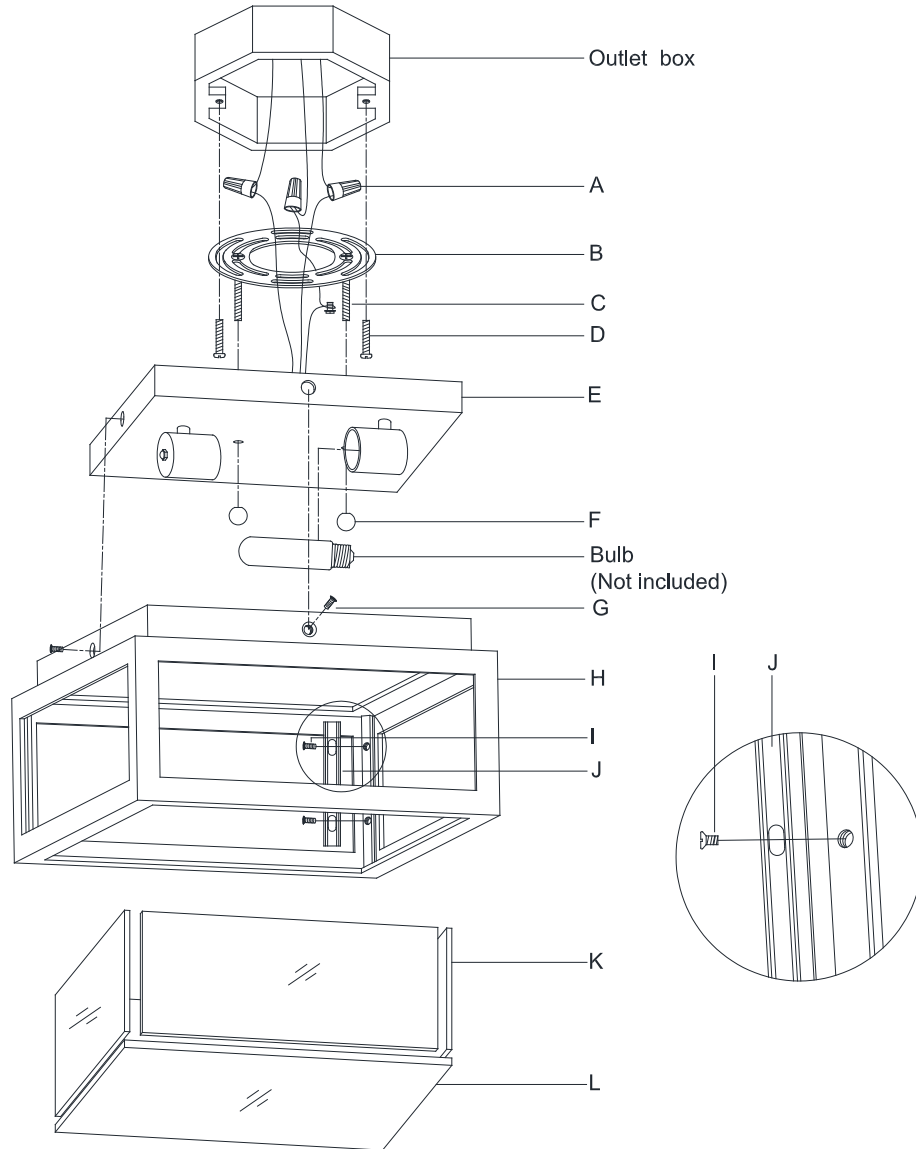


## ASSEMBLY INSTRUCTIONS



## Fresno Medium Framed Flush Mount

Item # CHC 4035

**WE RECOMMEND INSTALLATION OF THIS LIGHTING FIXTURE BE DONE BY A LICENSED ELECTRICIAN.**

**WARNING\*\*\*SWITCH OFF THE MAIN ELECTRICAL SUPPLY FROM THE MAIN FUSE BOX/CIRCUIT BREAKER BEFORE INSTALLATION.**

**INSPECT ITEM CAREFULLY BEFORE ATTEMPTING TO INSTALL. IF THERE IS ANY DAMAGE OR OBVIOUS DEFECT. DO NOT INSTALL.**

**ITEM MAY NOT BE RETURNED ONCE IT HAS BEEN INSTALLED.**

**NOTE: CAREFULLY UNPACK EACH PIECE IN TOP LAYER OF PACKING PRIOR TO REMOVING. RETAIN ALL PACKING MATERIAL UNTIL INSPECTION AND INSTALLATION ARE FINAL.**

1. Carefully remove all parts from the box.
2. Remove the backplate (E) from fixture body (H) by loosening side screws (G).
3. Remove the mounting plate (B) from backplate (E) by loosening ball nuts (F).
4. Attach the glass panel (L) to the fixture body (H), then attach the glass panels (K) to the fixture body (H) and secure with bars (J), screws (I).
- ATTENTION: DO NOT OVER TIGHTEN SCREWS.
5. Affix mounting plate (B) onto the outlet box and secure with mounting screws (D).
6. Connect the fixture Ground (bare) wire with the ground wire from the outlet box using wire nut (A). If your house does not have ground wire, then attach this wire to the green grounding screw inside of the outlet box.
- IT IS IMPERATIVE THAT THIS FIXTURE BE GROUNDED.
7. Connect the fixture Neutral wire (WHITE) with the neutral wire from the outlet box using wire nut (A).
8. Connect the fixture Hot (BLACK) wire with the hot wire from the outlet box using wire nut (A).
- DO NOT REVERSE THE HOT AND NEUTRAL CONNECTIONS OR SAFETY WILL BE COMPROMISED.
9. Attach fixture body (E) to the mounting plate (B), let rods (C) pass through the holes on the backplate (E), then secure with ball nuts (F).
10. Insert bulbs (not included) into the sockets.
11. Attach the fixture body (H) to the backplate (E) and secure with side screws (G).
12. Installation is complete, turn on power at fuse or circuit breaker.

\*\*\*Clean with a dry, soft cloth only. Use no harsh abrasives or chemical agents.



VISUAL COMFORT & Co. Est. 1987