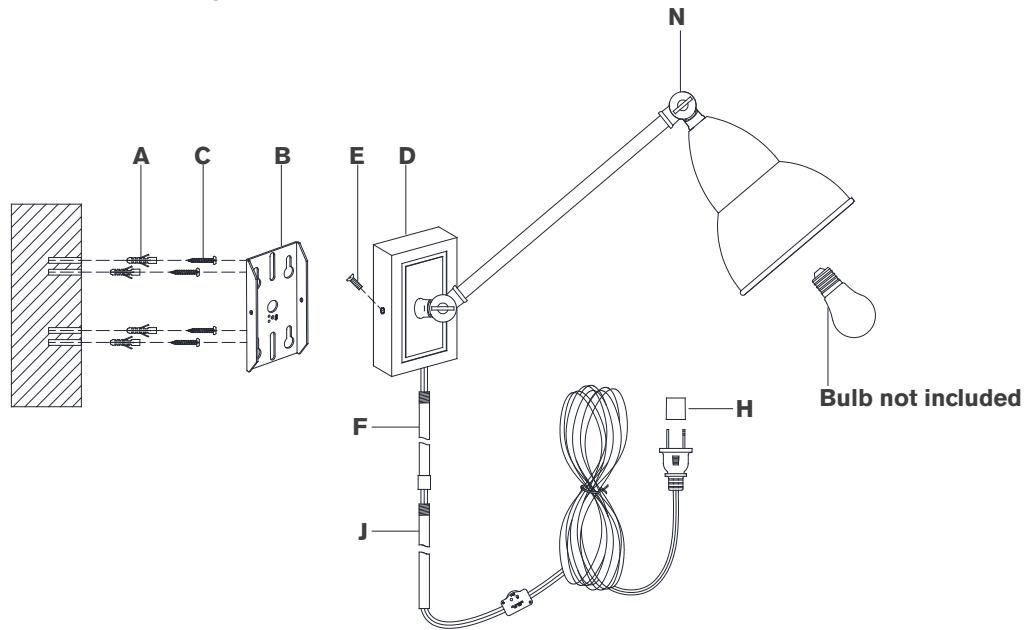


ASSEMBLY INSTRUCTIONS

Portable assembly



French Library Single Arm Wall Lamp

Item # S 2601

NOTICE:

This light fixture should be installed in accordance with all applicable, local installation codes, and by a person familiar with the construction and operation of it, as well as the hazards involved. Inspect item and contents carefully. If any damage or defect is found, do not install. Retain all packaging material until installation is complete and approved.

TOOLS REQUIRED (NOT INCLUDED):

Phillips Screwdriver	Slotted Screwdriver	Drill
Hammer	Pencil	

1. Carefully remove all parts from the box. Place on a clean, soft surface.
2. Remove mounting plate (B) from fixture (D) by removing screws (E).
3. Using the mounting plate (B) as a guide, line up with the wall and mark anchor positions.
4. Using a drill bit slightly smaller than the anchor, drill holes in the marked positions. Install anchors (A) into the holes.
5. Secure wood screws (C) to anchors (A), leaving 1/8" of exposed thread in order to hang fixture.
6. Install mounting plate (B) to fixture (D) by securing with screws (E).
7. Hang fixture (D) to wood screws (C).
8. Thread cord covers (F) & (J) to fixture (D).
9. Install light bulb into the socket.
10. Loosen adjustment knob (N) to adjust shade (B) to desired angle.
11. Remove protective cover (H) from plug.
12. Plug into electrical outlet and test the fixture.

Care Instructions: Clean only with a soft dry cloth or feather duster. Do not use abrasive or chemical agents.

ASSEMBLY INSTRUCTIONS

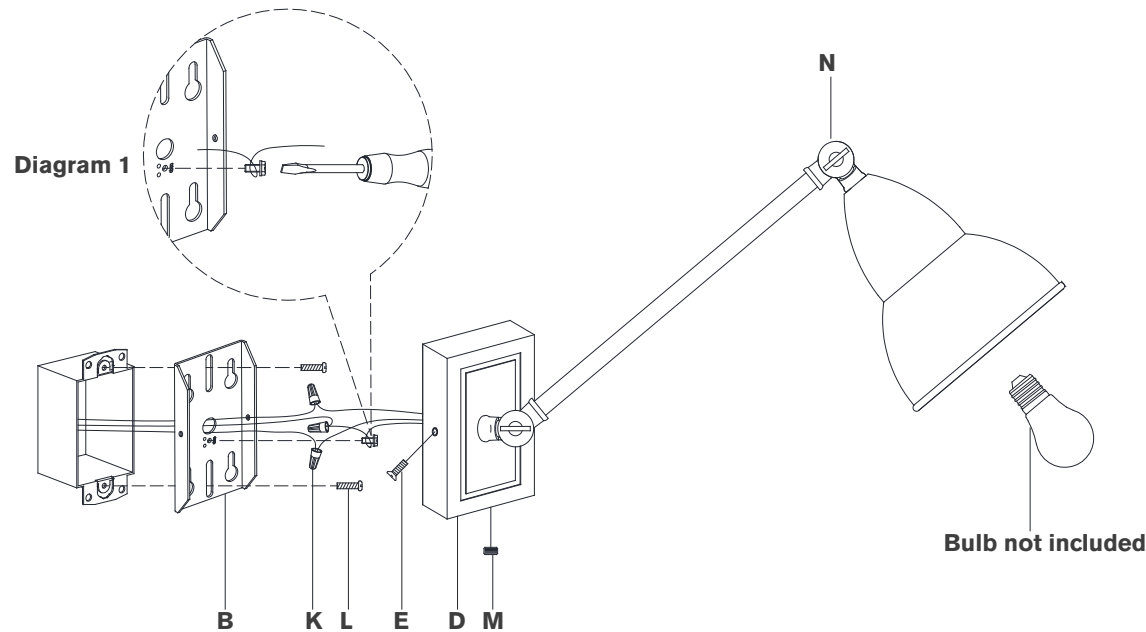
French Library Single Arm Wall Lamp

Item # S 2601

NOTICE:

This light fixture should be installed in accordance with all applicable, local installation codes, and by a person familiar with the construction and operation of it, as well as the hazards involved. Inspect item and contents carefully. If any damage or defect is found, do not install. Retain all packaging material until installation is complete and approved.

Hardwire assembly



TOOLS REQUIRED (NOT INCLUDED):

Phillips Screwdriver

Slotted Screwdriver

1. Carefully remove all parts from the box. Place on a clean, soft surface.
2. Remove mounting plate **(B)** from fixture **(D)** by removing screws **(E)**.
3. Install mounting plate **(B)** to the junction box and secure with mounting screws **(L)**.
4. Remove portable cord and cord covers by removing wire connector.
5. Insert direct wire plug **(M)** to the bottom of fixture **(D)**.
6. Wrap fixture ground wire (bare copper) around the green grounding screw (see diagram 1). Tighten. Continue fixture ground wire and connect to supply ground wire (usually green or bare copper) using wire nut **(K)**.
7. Connect fixture neutral wire (white) to the supply neutral wire (usually white) using wire nut **(K)**.
8. Connect the fixture hot wire (black) to the supply hot wire (usually black) using the wire nut **(K)**.
9. Make sure all wire connections are tight, then carefully tuck into the junction box.
10. Install fixture **(D)** to mounting plate **(B)** by securing with screws **(E)**.
11. Install light bulb into the socket.
12. Loosen adjustment knob **(N)** to adjust fixture to desired angle.

Care Instructions: Clean only with a soft dry cloth or feather duster. Do not use abrasive or chemical agents.