



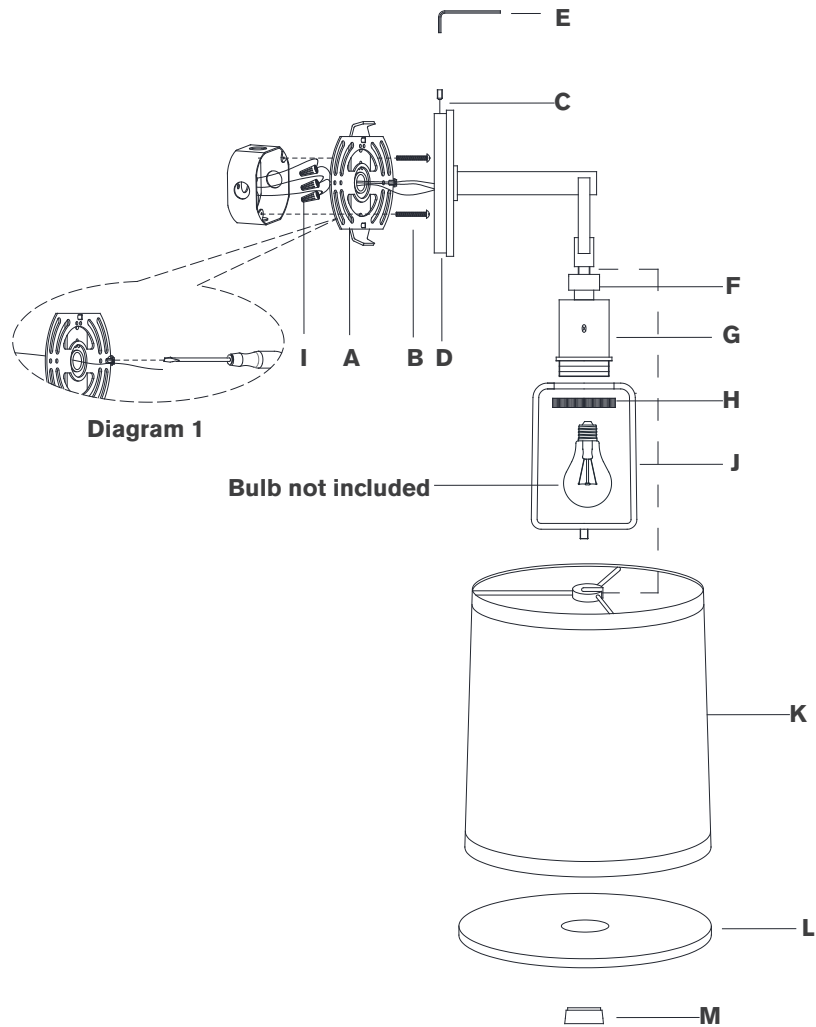
## ASSEMBLY INSTRUCTIONS

### French Cuff Sconce

Item # BBL 2035

#### NOTICE:

This light fixture should be installed in accordance with all applicable, local installation codes, and by a person familiar with the construction and operation of it, as well as the hazards involved. Inspect item and contents carefully. If any damage or defect is found, do not install. Retain all packaging material until installation is complete and approved.



9. Install shade (**K**) to fixture body and secure with check ring (**F**).

**NOTE:** If shade has additional packaging, carefully cut off from interior of shade to avoid damages.

10. Remove socket ring (**H**) from socket (**G**), install harp (**J**) to socket (**G**) and secure with socket ring (**H**).
11. Install light bulb into the socket.
12. Remove finial (**M**) from harp (**J**), install diffuser (**L**) to the nipple of harp (**J**) and secure with finial (**M**).

**Care Instructions:** Clean only with a soft dry cloth or feather duster. Do not use abrasive or chemical agents.