

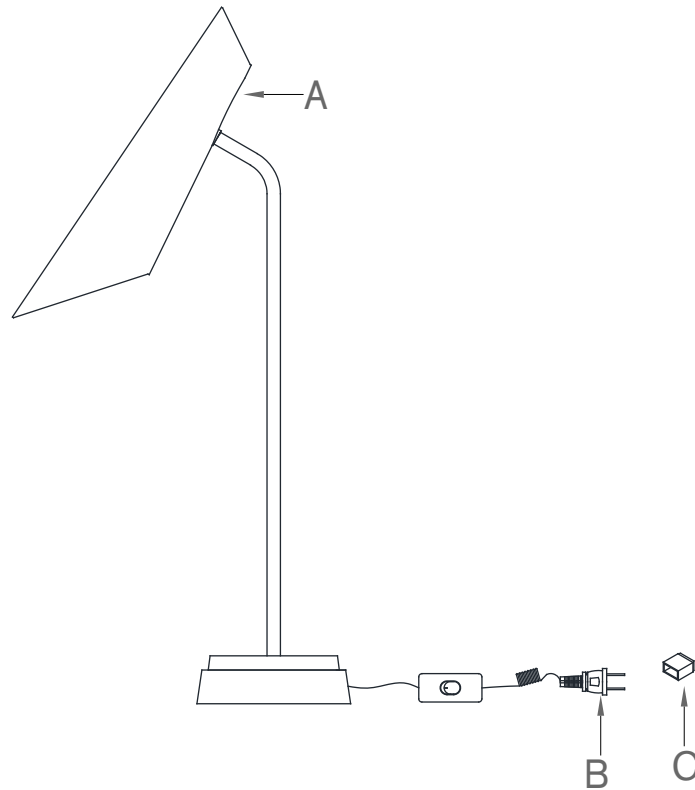
ASSEMBLY INSTRUCTIONS

Franca Single Pivoting Task Lamp Item # ARN 3401

INSPECT ITEM CAREFULLY BEFORE ATTEMPTING TO INSTALL. IF THERE IS ANY DAMAGE OR OBVIOUS DEFECT, DO NOT INSTALL.

ITEM MAY NOT BE RETURNED ONCE IT HAS BEEN INSTALLED.

1. Carefully remove all parts from the carton.
2. Insert the specified light bulb into socket (B).
3. Adjust the shade (A) to the desired angle.
4. Remove plastic cover (C) from electrical plug (B).
5. Plug lamp into wall outlet.



***Clean with a dry, soft cloth only. Use no harsh abrasives or chemical agents.