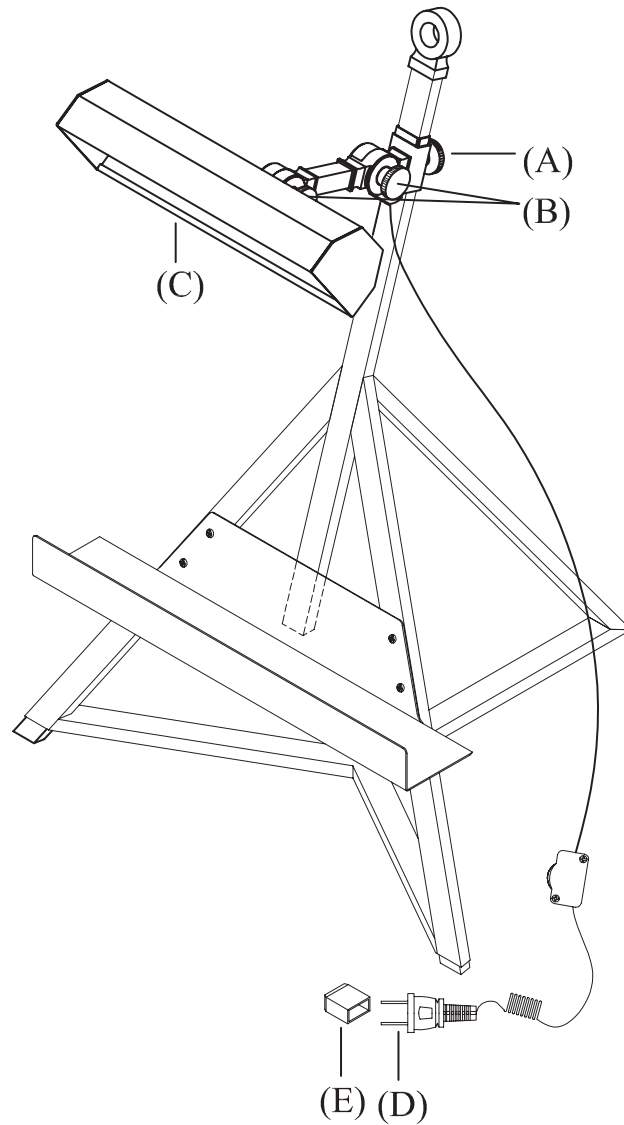


ASSEMBLY INSTRUCTIONS

Estelle Display Lamp

Item # AH3500



INSPECT ITEM CAREFULLY BEFORE ATTEMPTING TO INSTALL. IF THERE IS ANY DAMAGE OR OBVIOUS DEFECT, DO NOT INSTALL.

ITEM MAY NOT BE RETURNED ONCE IT HAS BEEN INSTALLED.

1. Insert light bulb into socket
2. Remove protective plastic (E) from electrical plug (D)
3. Plug lamp into wall outlet

ADJUSTMENT INSTRUCTIONS:

1. Loosen adjustment key (A) & (B)
2. Adjust lamp shade (C) to desired height and position
3. Tighten adjustment keys (A) & (B)