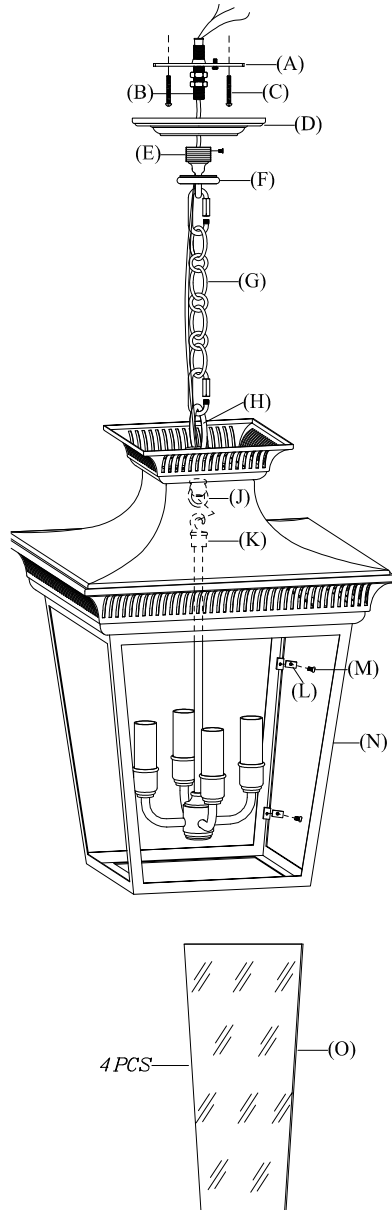


CHC5050

ASSEMBLY & INSTALLATION GUIDE



WE RECOMMEND INSTALLATION OF THIS LIGHTING FIXTURE BE DONE BY A LICENSED ELECTRICIAN.

WARNING * SWITCH OFF THE MAIN ELECTRICAL SUPPLY FROM THE MAIN FUSE BOX/CIRCUIT BREAKER BEFORE INSTALLATION.**

INSPECT ITEM CAREFULLY BEFORE ATTEMPTING TO INSTALL. IF THERE IS ANY DAMAGE OR OBVIOUS DEFECT, DO NOT INSTALL.

ITEM MAY NOT BE RETURNED ONCE IT HAS BEEN INSTALLED.

1. To install glass panel (O) to each frame of lantern box (N), removing all metal tabs (L) by unscrewing set screw (M) and set aside. Insert a glass panel into one frame and insert the second glass panel to next frame, replace metal tabs (L) and follow with set screw (M) to secure glass panels (O) to the frame.
2. Hook assembly part (K) to bottom of ring (J). (See left illustration)
3. Attach chain (G) to top loop (H) by opening I closing end link of chain.
4. Unscrewing the canopy ring (F) from chain mounting loop (E) and slide canopy (D) and canopy ring (F) on chain.
5. Feed wire through chain (G), mounting loop (E), canopy (D) and nipple (B).
6. Attach mounting strap (A) to ceiling outlet box using mounting screws (C) provided.
7. Insert threaded nipple (B) in mounting strap (A). Using pliers, thread one of hex nut to nipple (B) to secure.
8. Attach chain mounting loop (E) to thread nipple using the ceiling loop screw.
9. To determine the hanging length, shorter the height by removing the excess the
10. Attach the ground wire (silver or brass in color) from the fixture to the ground junction box wire (usually green or copper wire). Fasten together with a plastic wire connector and wrap the connection with electrical tape. Be sure no wire strands are exposed. It is imperative that the outlet box in your home be properly grounded. Be sure no wire strands are exposed.
11. Connect the neutral wire from the fixture (ridges molded wire) to the neutral wire from the junction box (usually white). Fasten together with a plastic wire connector and wrap the connection with electrical tape. Be sure no wire strands are exposed.
12. Connect the hot wire from the fixture (smooth wire) to the hot wire (usually black) from the junction box. Fasten each together with a plastic wire connector and wrap the connection with electrical tape. Be sure that no wire strands are exposed. **DO NOT REVERSE THE HOT AND NEUTRAL CONNECTIONS OTHERWISE SAFETY WILL BE COMPROMISED.**
13. Tuck wire connection neatly into ceiling outlet box.
14. Slip canopy (D) to ceiling and secure with threaded canopy ring (F).
15. Insert light bulbs into the socket