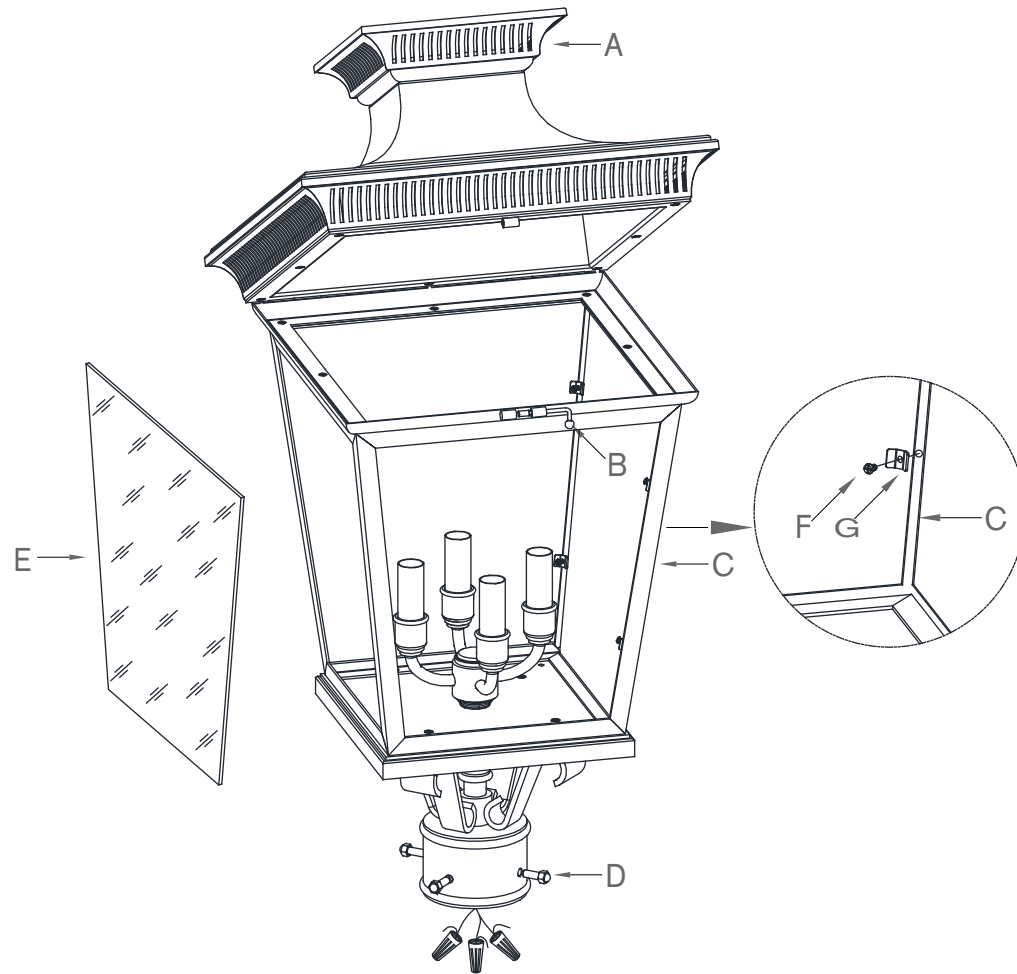


## ASSEMBLY INSTRUCTIONS



Elsinore Post Lantern  
Item # CHO 7055

**WE RECOMMEND INSTALLATION OF THIS LIGHTING FIXTURE BE DONE BY A LICENSED ELECTRICIAN.**

**WARNING \*\*\* SWITCH OFF THE MAIN ELECTRICAL SUPPLY FROM THE MAIN FUSE BOX/CIRCUIT BREAKER BEFORE INSTALLATION.**

**INSPECT ITEM CAREFULLY BEFORE ATTEMPTING TO INSTALL. IF THERE IS ANY DAMAGE OR OBVIOUS DEFECT, DO NOT INSTALL.**

**ITEM MAY NOT BE RETURNED ONCE IT HAS BEEN INSTALLED.**

1. Carefully remove all parts from the carton.
2. Open the lantern cap (A) by removing lock pin (B).
3. Remove metal tabs (G) by removing screws (F), install glass panels (E) to each frame of lantern box (C) and secure with metal tabs (G) and screws (F).
4. Insert light bulbs (not included) into the sockets.
5. Close the lantern cap (A) to lantern box and secure with lock pin (B)
6. Connect the black/white wires to outlet wires, and tightly wrapped with wire connectors.
7. Wire the lantern to outlet and secure the lantern box by loosening/tightening bolts (D).
8. INSTRUCTIONS FOR MOUNTING FIXTURE OUTDOORS AND/OR IN WET LOCATION:
  - a. Mounting surface should be clean, dry, flat and 1/4" larger than canopy/fixture base on all sides. Any gaps between the mounting surface and fixture base exceeding 3/16" should be corrected as required.
  - b. With silicone (ex. GE-108) caulking compound, caulk completely around where back of canopy/fixture base meets the wall surface to prevent water from seeping into outlet box. TO AVOID WATER ENTERING THE FIXTURE BASE FROM THE SIDE OF FIXTURE, THIS FIXTURE MUST BE MOUNTED ABOVE 1.2M (4 FT) FROM GROUND.
  - c. DO NOT INSTALL ON POST OR POLE THAT RESULTS IN A VERTICAL RISE OF 25 FEET OR HIGHER.

\*\*\* Clean with a dry, soft cloth only. Use no harsh abrasives or chemical agents.