

ASSEMBLY INSTRUCTIONS

Elsinore Bracket Lantern

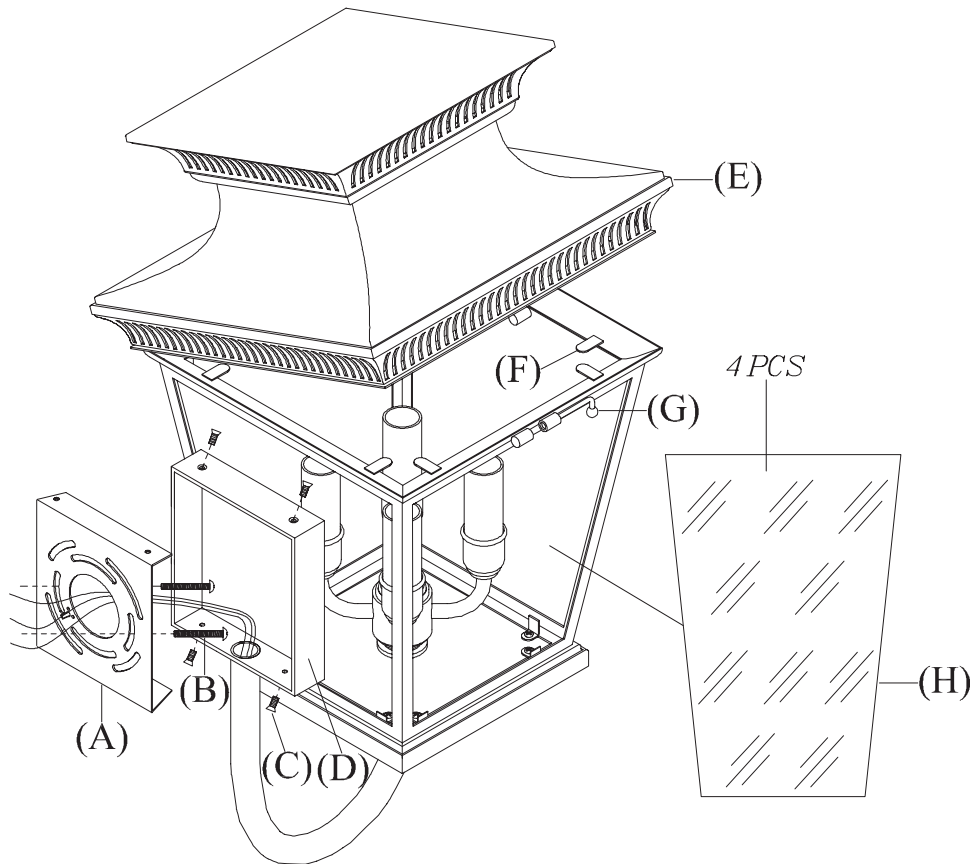
Item # CHD2952

WE RECOMMEND INSTALLATION OF THIS LIGHTING FIXTURE BE DONE BY A LICENSED ELECTRICIAN.

WARNING * SWITCH OFF THE MAIN ELECTRICAL SUPPLY FROM THE MAIN FUSE BOX/CIRCUIT BREAKER BEFORE INSTALLATION.**

INSPECT ITEM CAREFULLY BEFORE ATTEMPTING TO INSTALL. IF THERE IS ANY DAMAGE OR OBVIOUS DEFECT, DO NOT INSTALL.

ITEM MAY NOT BE RETURNED ONCE IT HAS BEEN INSTALLED.



1. Remove mounting plate (A) from fixture base (D) by unscrewing base screws (C) in counter-clockwise direction. Attach mounting plate (A) to wall outlet box and secure with mounting screws (8).
2. Attach ground (green) fixture wire to ground wire from the wall outlet box (usually green or copper in color), and fasten together with a plastic wire connector. Tightly wrap the wire connector with electrical tape so the end of the connector is sealed.
IT IS IMPERATIVE THAT THE OUTLET BOX IN YOUR HOME BE PROPERLY GROUNDED.
3. Connect neutral (white) fixture wire to neutral (usually white) wire from wall outlet box. Fasten both wires together with a plastic wire connector and tightly wrap the wire connector with electrical tape.
4. Repeat the procedure with the hot (black) wires. Always make sure that no wire strands are left outside the connectors.
DO NOT REVERSE THE HOT AND NEUTRAL CONNECTIONS OTHERWISE SAFETY WILL BE COMPROMISED.
5. Slip the key (G), and open the lamp cap (E).
6. To install glass panels (H) provided to each frame, make sure metal tabs (F) are flipped against. Place four glass panels to each frame, secure the glass panels by bending back the metal tabs (F) downwards.
7. Attach fixture base (D) onto the affixed mounting plate (A) and secure with base screws (C).
8. Insert light bulbs (not included) into sockets.
9. Close lamp cap (E) and secure by key (G).

ASSEMBLY INSTRUCTIONS

Elsinore Bracket Lantern

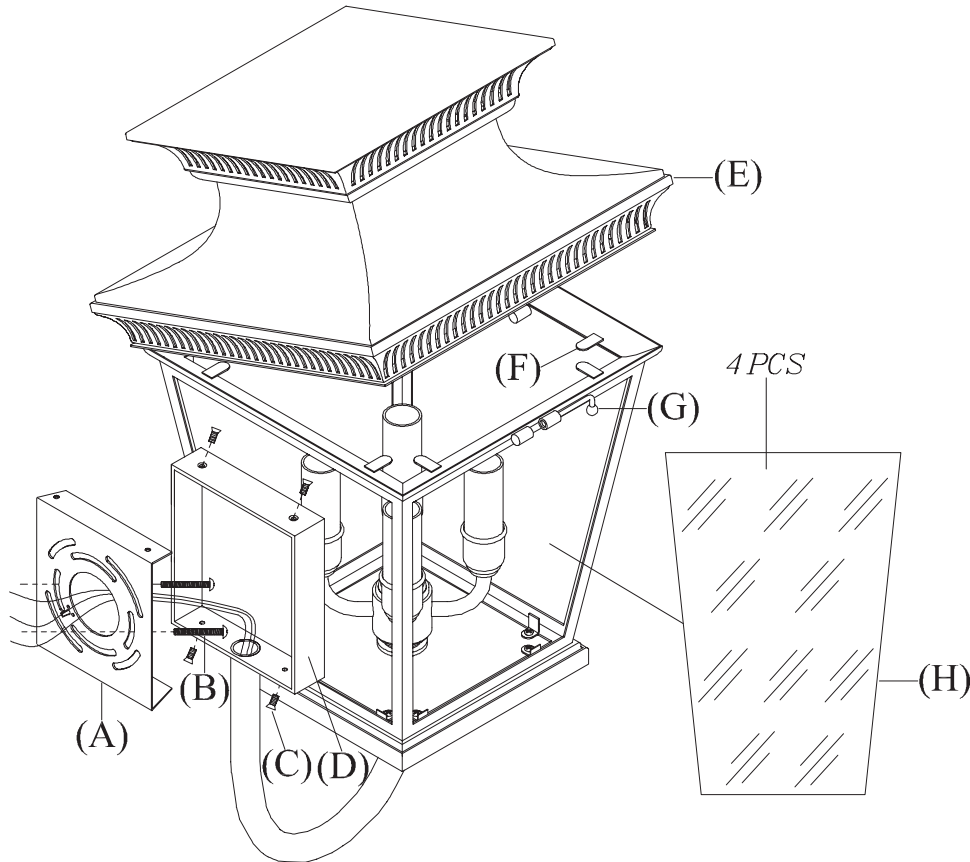
Item # CHD2952

WE RECOMMEND INSTALLATION OF THIS LIGHTING FIXTURE BE DONE BY A LICENSED ELECTRICIAN.

WARNING * SWITCH OFF THE MAIN ELECTRICAL SUPPLY FROM THE MAIN FUSE BOX/CIRCUIT BREAKER BEFORE INSTALLATION.**

INSPECT ITEM CAREFULLY BEFORE ATTEMPTING TO INSTALL. IF THERE IS ANY DAMAGE OR OBVIOUS DEFECT, DO NOT INSTALL.

ITEM MAY NOT BE RETURNED ONCE IT HAS BEEN INSTALLED.



10. INSTRUCTIONS FOR MOUNTING FIXTURE OUTDOORS AND/OR IN WET LOCATION:

- Mounting surface should be clean, dry, flat and 1/4" larger than canopy/ fixture base on all sides. Any gaps between the mounting surface and canopy exceeding 3/16" should be corrected as required.
- With silicone (ex. GE-108) caulking compound, caulk completely around where back of canopy meets the wall surface to prevent water from seeping into outlet box.