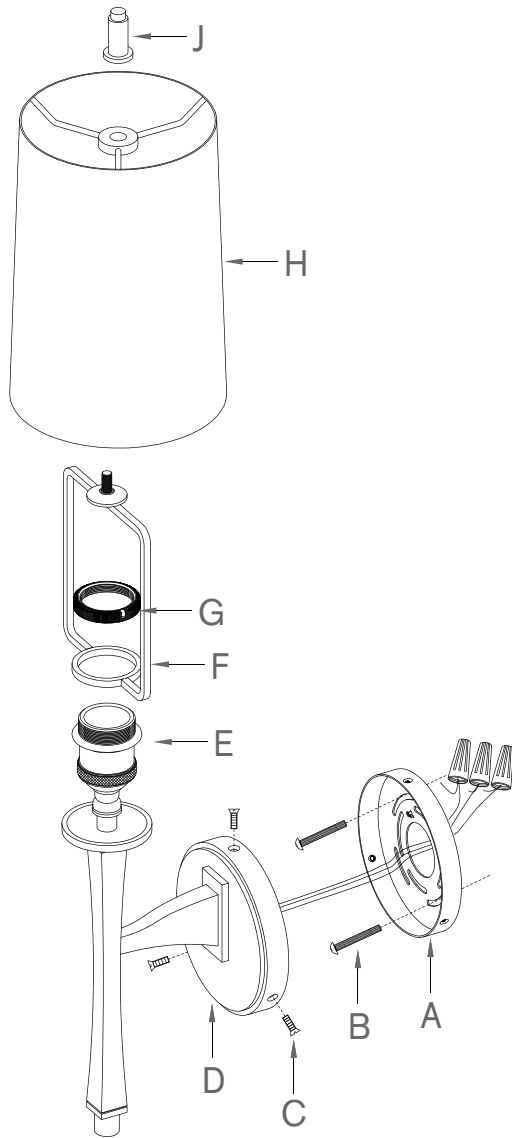


ASSEMBLY INSTRUCTIONS



Edie Sconce

Item # TOB2740

WE RECOMMEND INSTALLATION OF THIS LIGHTING FIXTURE BE DONE BY A LICENSED ELECTRICIAN.

WARNING * SWITCH OFF THE MAIN ELECTRICAL SUPPLY FROM THE MAIN FUSE BOX/CIRCUIT BREAKER BEFORE INSTALLATION.**

INSPECT ITEM CAREFULLY BEFORE ATTEMPTING TO INSTALL. IF THERE IS ANY DAMAGE OR OBVIOUS DEFECT, DO NOT INSTALL.

ITEM MAY NOT BE RETURNED ONCE IT HAS BEEN INSTALLED.

1. Remove mounting plate (A) from base of light fixture (D) by removing base screws (C) in counter-clockwise direction.
2. Affix mounting plate (A) to wall outlet box with mounting screws (B) provided.
3. Attach ground (green) wire to ground wire from wall outlet box (usually green or copper in color), fasten together with a plastic wire connector. Tighten wrap the wire connector with electrical tape. so the end of the connector is sealed. IT IS IMPERATIVE THAT THE OUTLET BOX IN YOUR HOME BE PROPERLY GROUNDED.
4. Connect neutral (white) fixture wire coming from fixture base to neutral (usually white) outlet wire. Fasten both wires together with a plastic wire connector and tightly wrap the wire connector with electrical tape.
5. Repeat the procedure with the hot (black) wires. Always make sure that no wire strands are left outside the connectors. DO NOT REVERSE THE HOT AND NEUTRAL CONNECTIONS OTHERWISE SAFETY WILL BE COMPROMISED.
6. Attach fixture base (D) to the affixed mounting plate (A) and tighten with base screws (C).
7. Remove socket ring (G) from threaded socket (E), place the bottom ring of harp (F) onto the threaded section of socket (E) and secure with socket ring (G).
8. Remove finial (J) from harp (F), place shade (H) over the bolt attached on top of harp (F). Screw finial (J) onto the bolt to secure shade (H) to harp (F).
9. Insert light bulb (not included) Type A, maximum 60 watt into socket.

*** Clean with a dry, soft cloth only. Use no harsh abrasives or chemical agents.



VISUAL COMFORT & Co. Est. 1987