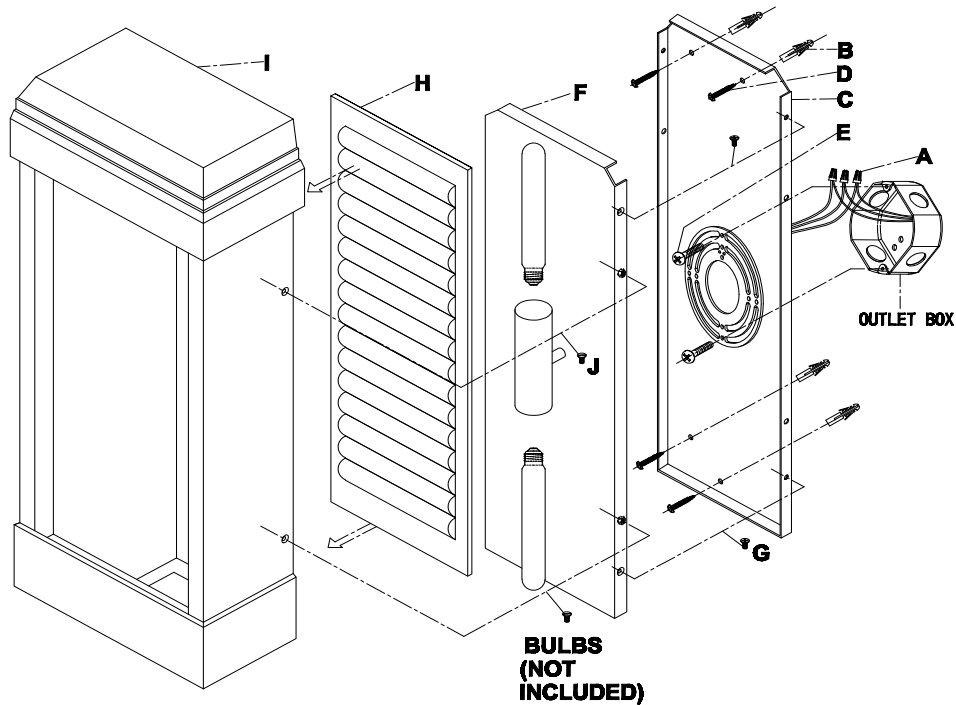


ASSEMBLY INSTRUCTIONS



Dunmore Large Curved Glass Louver Sconce Item # CHO 2019

WE RECOMMEND INSTALLATION OF THIS LIGHTING FIXTURE BE DONE BY A LICENSED ELECTRICIAN.

WARNING*SWITCH OFF THE MAIN ELECTRICAL SUPPLY FROM THE MAIN FUSE BOX/CIRCUIT BREAKER BEFORE INSTALLATION. INSPECT ITEM CAREFULLY BEFORE ATTEMPTING TO INSTALL. IF THERE IS ANY DAMAGE OR OBVIOUS DEFECT. DO NOT INSTALL.**

ITEM MAY NOT BE RETURNED ONCE IT HAS BEEN INSTALLED.

1. Carefully remove all parts from the box.
2. Remove the mounting plate (C) from the backplate (F) by loosening the screws (G).
3. Affix the anchors (B) to the wall.
4. Affix the mounting plate (C) to the outlet box by mounting screws (E) and secure screws (D) to the anchors (B).
5. Connect the hot wire from the backplate (F) to the hot wire from the outlet box. Fasten them together using wire nuts (A) and wrap the connection with the electrical tape (usually black).
6. Repeat this procedure for the neutral wire from the backplate (F) to the neutre wire from outlet box (usually white).
DO NOT REVERSE THE HOT AND NEUTRAL CONNECTIONS OR SAFETY WILL BE COMPROMISED.
7. Connect ground wire from the backplate (F) to ground wire from the outlet box (usually green or copper in color).
IT IS IMPERATIVE THAT THIS FIXTURE BE GROUNDED.
8. Affix the backplate (F) to the mounting plate (C) by screws (G).
9. Insert bulbs (not included) into the sockets.
10. Install the glass part (H) to the fixture (I) and secure with inside metal tabs.
11. Installation the fixture (I) to the backplate (F) by screws (J).
12. Installation is complete, turn on power at fuse or circuit breaker.

***Clean with a dry, soft cloth only. Use no harsh abrasives or chemical agents.

