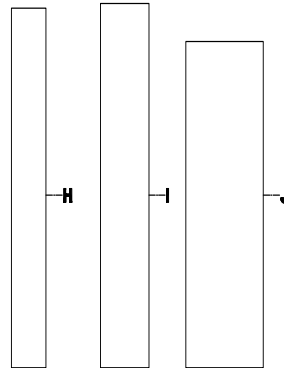
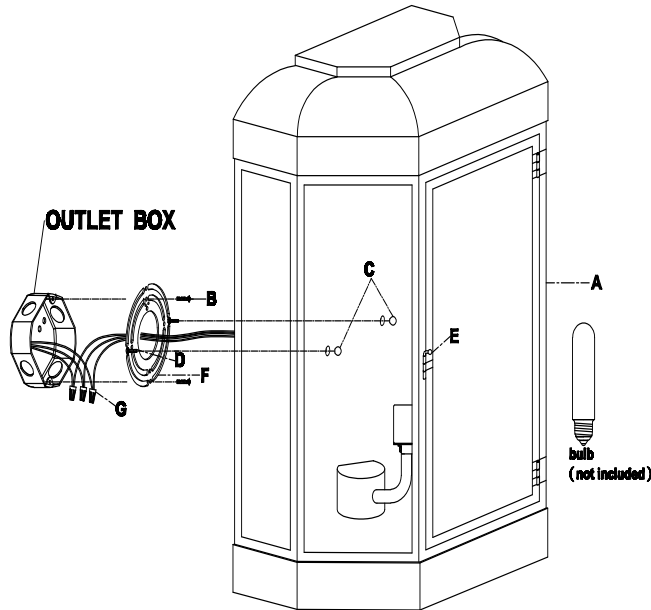


ASSEMBLY INSTRUCTIONS



Dublin Faceted Sconce Item # CHO 2004/ CHO 2006

WE RECOMMEND INSTALLATION OF THIS LIGHTING FIXTURE BE DONE BY A LICENSED ELECTRICIAN.

WARNING*SWITCH OFF THE MAIN ELECTRICAL SUPPLY FROM THE MAIN FUSE BOX/CIRCUIT BREAKER BEFORE INSTALLATION.**

INSPECT ITEM CAREFULLY BEFORE ATTEMPTING TO INSTALL. IF THERE IS ANY DAMAGE OR OBVIOUS DEFECT. DO NOT INSTALL.

ITEM MAY NOT BE RETURNED ONCE IT HAS BEEN INSTALLED.

NOTE: CAREFULLY UNPACK EACH PIECE IN TOP LAYER OF PACKING PRIOR TO REMOVING. RETAIN ALL PACKING MATERIAL UNTILL INSPECTION AND INSTALLATION ARE FINAL.

1. Carefully remove all parts from the box.
2. Remove the mounting plate (F) from fixture (A) by unscrewing the cap nuts (C).
3. Affix the mounting plate (F) to the outlet box by tightening the mounting screws (B).
4. Connect the hot wire (BLACK) from the fixture to the wire from the outlet box (usually BLACK) using wire nuts (G).
5. Connect the neutral wire (WHITE) from the fixture to the wire from the outlet box (usually WHITE) using wire nuts (G).

DO NOT REVERSE THE HOT AND NEUTRAL CONNECTIONS OR SAFETY WILL BE COMPROMISED.
6. Connect the fixture ground (bare) wire with the ground wire from the outlet box using wire nuts (G).

IT IS IMPERATIVE THAT THIS FIXTURE BE GROUNDED.
7. Pull off the door latch (E) and open the door panel.
8. Affix the fixture (A) to the mounting plate (F) by screwing the cap nuts (C) to the screws (D).
9. Insert the bulb (not included) into the socket.
10. Install the glass panels (H) and glass panels (I) into fixture (A) by inside tabs.
11. Put the glass panel (J) into the door's inside slot of fixture (A).
12. Pull door latch (E) in and close the door panel.
13. Installation is complete, turn on power at fuse or circuit breaker.

***Clean with a dry, soft cloth only. Use no harsh abrasives or chemical agents.

VISUAL COMFORT & Co. Est. 1987