

ASSEMBLY INSTRUCTIONS

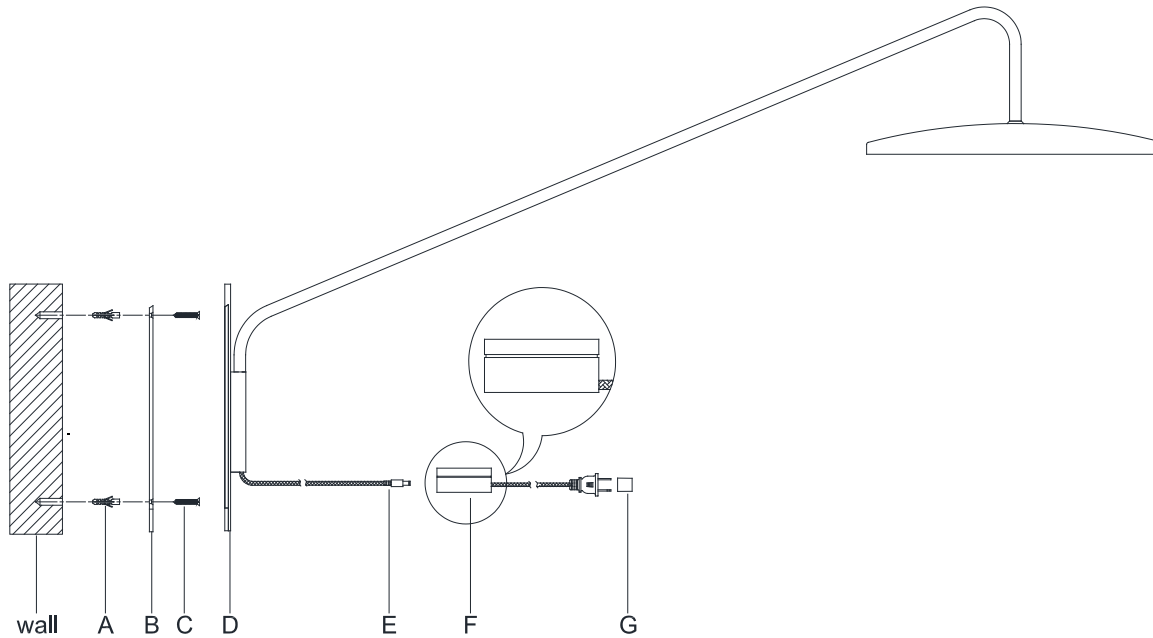
Dot 16" Articulating Wall Light

Item # PB 2020

INSPECT ITEM CAREFULLY BEFORE ATTEMPTING TO INSTALL. IF THERE IS ANY DAMAGE OR OBVIOUS DEFECT. DO NOT INSTALL.

ITEM MAY NOT BE RETURNED ONCE IT HAS BEEN INSTALLED.

NOTE: CAREFULLY UNPACK EACH PIECE IN TOP LAYER OF PACKING PRIOR TO REMOVING. RETAIN ALL PACKING MATERIAL UNTIL INSPECTION AND INSTALLATION ARE FINAL.



1. Carefully remove all parts from the box.
2. Drill 4 holes on the wall and make sure the hole distance will match to the holes on the mounting plate (B).
3. Knock the anchors (A) into the wall holes.
4. Attach the mounting plate (B) to the wall and secure with screws (C).
5. Hang the back plate (D) to the mounting plate (B).
6. Attach the DC plug (E) to the driver (F).
7. Remove protective plug cover (G) from the plug.
8. Plug into a proper electrical outlet and test the lamp.
9. Assembly is complete.

***Clean with a dry, soft cloth only. Use no harsh abrasives or chemical agents.

To adjust the lamp brightness:

1. Single click the driver to turn lamp on.
2. Press and hold the driver to achieve desired brightness.
3. Single click the driver again to turn lamp off.