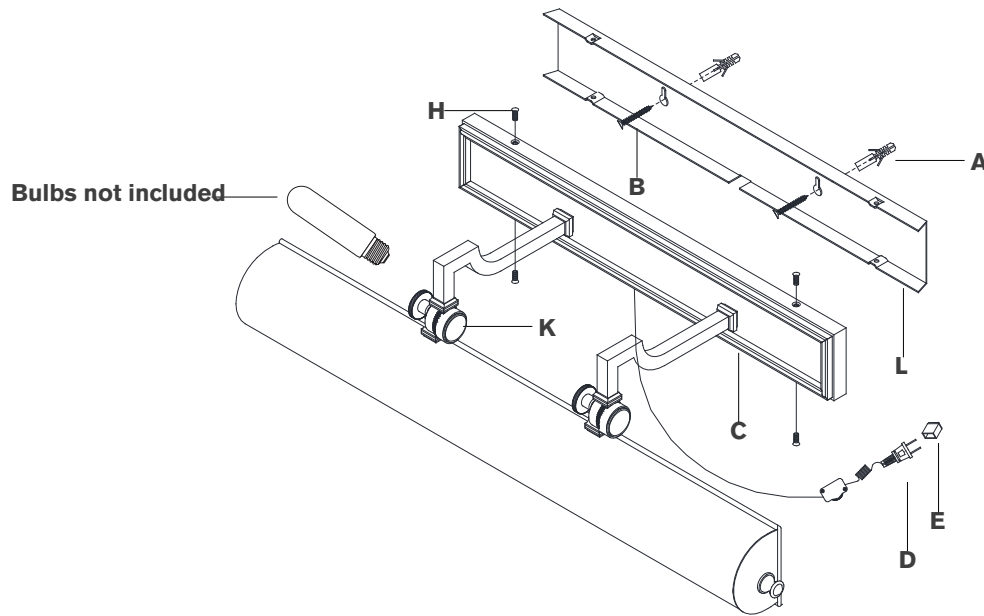


ASSEMBLY INSTRUCTIONS

Portable assembly



Dean 24" Picture Light

Item # AH2703

NOTICE:

This light fixture should be installed in accordance with all applicable, local installation codes, and by a person familiar with the construction and operation of it, as well as the hazards involved. Inspect item and contents carefully. If any damage or defect is found, do not install. Retain all packaging material until installation is complete and approved.

TOOLS REQUIRED (NOT INCLUDED):

Phillips Screwdriver

Slotted Screwdriver

Drill

Hammer

Pencil

1. Carefully remove all parts from the box. Place on a clean, soft surface.
2. Remove portable mounting plate (L) from fixture body (C) by unscrewing side screws (H).
3. Using the portable plate (L) as a guide, line up with the wall and mark anchor positions.
4. Using a drill bit slightly smaller than the anchor, drill holes in the marked positions. Install anchors (A) into the holes using hammer.
5. Install portable mounting plate (L) to wall by securing wood screws (B) to anchors (A).
6. Install fixture body (C) to portable mounting plate (L) and secure with side screws (H).
7. Insert light bulbs into the sockets.
8. To adjust the fixture shade loosen the adjustment knobs (K), adjust to desired position, then tighten knobs (K).
9. Remove protective plug cover (E) from plug (D).
10. Plug into a proper electrical outlet and test the fixture.

Care Instructions: Clean only with a soft dry cloth or feather duster. Do not use abrasive or chemical agents.

ASSEMBLY INSTRUCTIONS

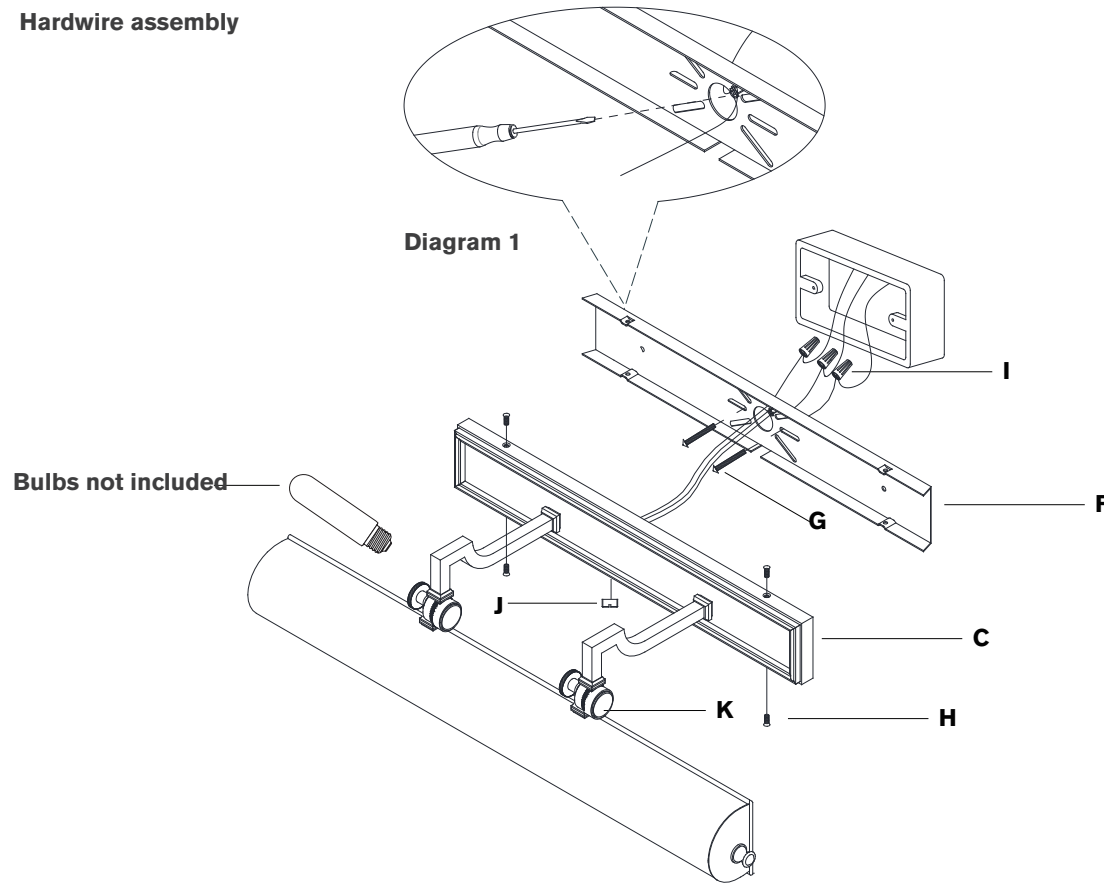
Dean 24" Picture Light

Item # AH2703S

NOTICE:

This light fixture should be installed in accordance with all applicable, local installation codes, and by a person familiar with the construction and operation of it, as well as the hazards involved. Inspect item and contents carefully. If any damage or defect is found, do not install. Retain all packaging material until installation is complete and approved.

Hardwire assembly



10. Install fixture body **(C)** to hardwire mounting plate **(F)** and secure with side screws **(H)**.
11. Insert light bulbs into the sockets.
12. To adjust the fixture shade loosen adjustment knobs **(K)**, adjust to desired position then tighten knobs **(K)**.

Care Instructions: Clean only with a soft dry cloth or feather duster. Do not use abrasive or chemical agents.