

S2401

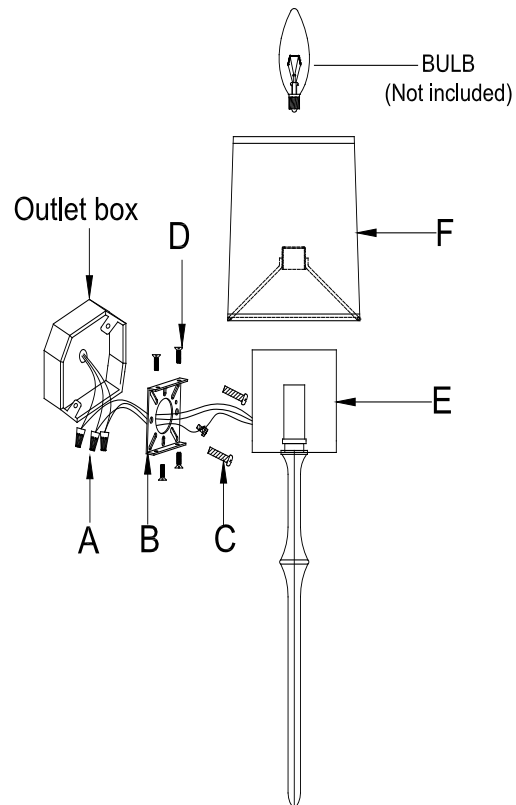
ASSEMBLY & INSTALLATION GUIDE

WE RECOMMEND INSTALLATION OF THIS LIGHTING FIXTURE BE DONE BY A LICENSED ELECTRICIAN.

WARNING * SWITCH OFF THE MAIN ELECTRICAL SUPPLY FROM THE MAIN FUSE BOX/CIRCUIT BREAKER BEFORE INSTALLATION.**

INSPECT ITEM CAREFULLY BEFORE ATTEMPTING TO INSTALL. IF THERE IS ANY DAMAGE OR OBVIOUS DEFECT, DO NOT INSTALL.

ITEM MAY NOT BE RETURNED ONCE IT HAS BEEN INSTALLED.



1. Carefully remove the mounting plate (B) from the back plate (E) by unscrewing the screws (D).
2. Use screw (C) to secure back plate (B) to outlet box on the wall.
3. Connect the Ground (bare) fixture wire to the ground (usually bare) wire from your outlet box using wire nut (A).
If your house does not have ground wire, then attach it to the green grounding screw on the mounting plate (B)
4. Attached the common wire (ribbed, no words) form the fixture to the white wire from the building using the provided wire nut (A).
5. IT IS IMPERATIVE THAT THIS FIXTURE BE GROUNDED
6. Attached the hot wire (smooth, with words) form the fixture to the white wire form the building with the provided wire nut (A). Secure each connection by tightening and then checking that no wires can be pulled out.
7. Carefully take wires inside outlet box.
8. Secure back plate (E) to plate (B) by screw (D).
9. IT IS IMPERATIVE THAT YOU NOT MIX THESE WIRES.
10. Put shade (F) on candle tube.
11. Insert bulb (not include) into socket.
12. Put the shade (F) on the socket
13. Restore power and enjoy your new fixture.
14. Installation is complete, turn on power at fuse or circuit breaker.