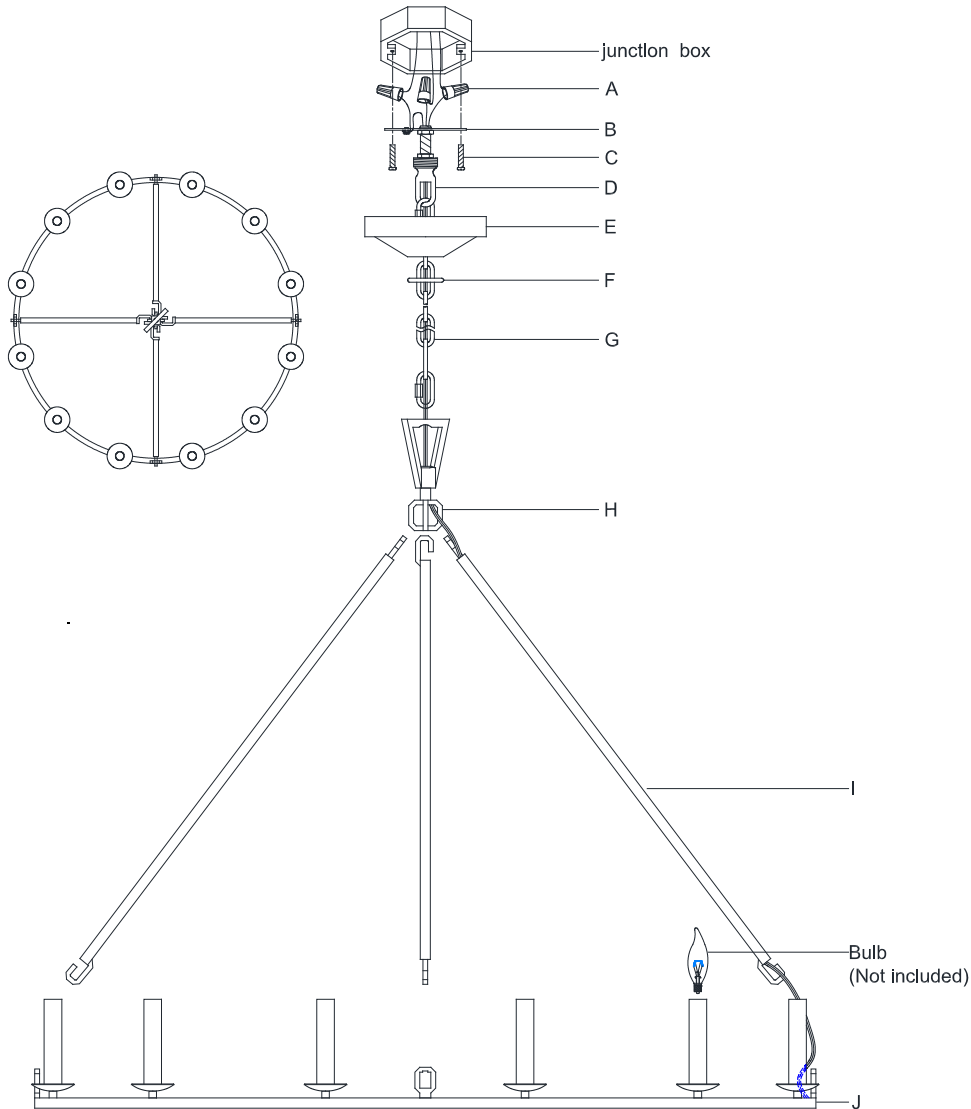


## ASSEMBLY INSTRUCTIONS



## Darlana Large Single Ring Chandelier

Item # CHC 5174

**WE RECOMMEND INSTALLATION OF THIS LIGHTING FIXTURE BE DONE BY A LICENSED ELECTRICIAN.**

**WARNING\*\*\*SWITCH OFF THE MAIN ELECTRICAL SUPPLY FROM THE MAIN FUSE BOX/CIRCUIT BREAKER BEFORE INSTALLATION.**

**INSPECT ITEM CAREFULLY BEFORE ATTEMPTING TO INSTALL. IF THERE IS ANY DAMAGE OR OBVIOUS DEFECT. DO NOT INSTALL.**

**ITEM MAY NOT BE RETURNED ONCE IT HAS BEEN INSTALLED.**

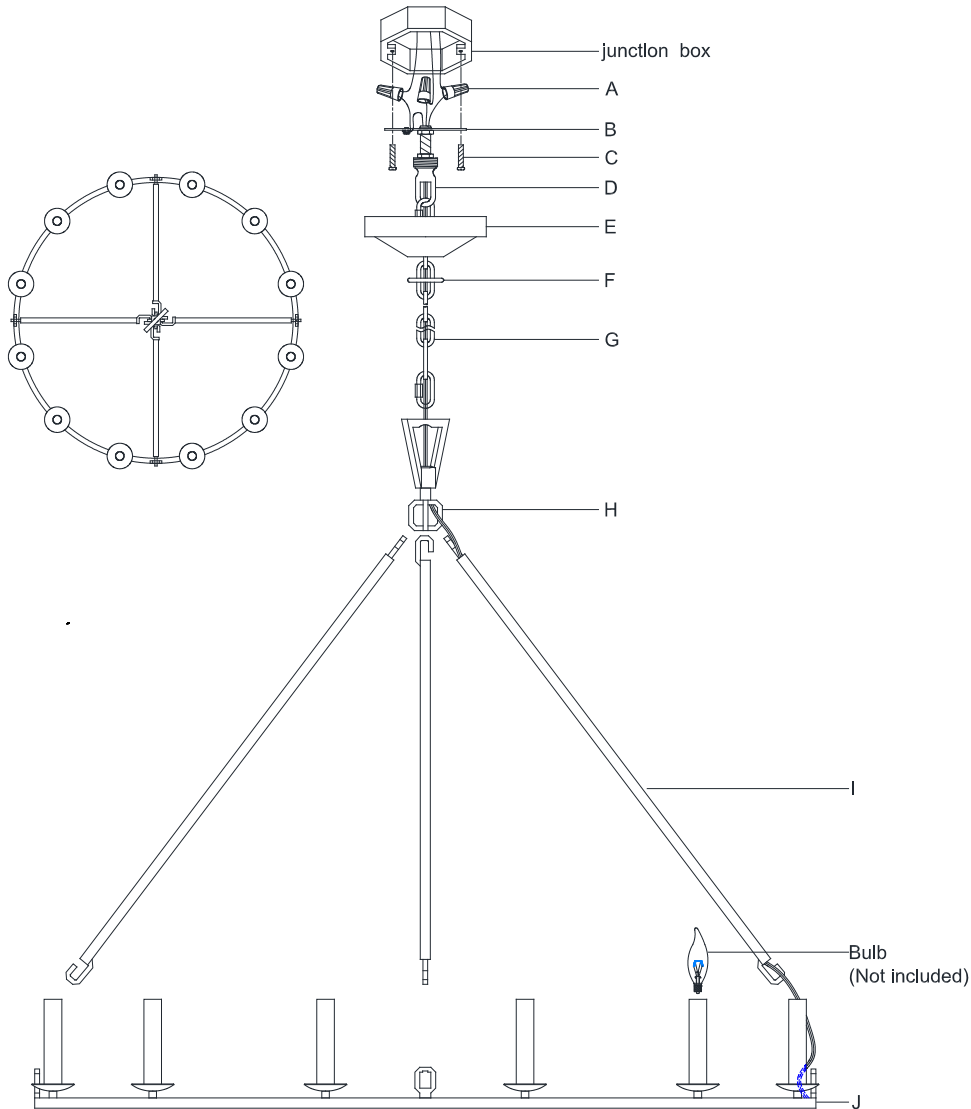
**NOTE: CAREFULLY UNPACK EACH PIECE IN TOP LAYER OF PACKING PRIOR TO REMOVING. RETAIN ALL PACKING MATERIAL UNTIL INSPECTION AND INSTALLATION ARE FINAL.**

1. Carefully remove all parts from the box.
  2. Install the mounting plate (B) to the junction box with mounting screws (C) provided.
  3. Put canopy (E) flush to the ceiling, and secure with collar ring (F).
  4. With the fixture desired height, shorten the chain (G) as needed using a pair of chain pliers.
  5. Open the chain quick link, then attach the chain quick link to the ceiling loop (D). Secure the chain quick link.
  6. Attach the rods (I) one end to the hook on the fixture top loop (H), one end to the hook on the ring of fixture body (J).
  7. Open the chain quick link, then attach the chain quick link to the fixture top loop (H). Secure the chain quick link.
  8. Weave the power supply cord and the ground wire through the chain (G).
  9. When you reach the canopy and collar loop (D), measure the wires then cut. Be certain to leave enough to connect inside of the outlet box.
  10. Strip the insulation back on the two power supply wires about 5/8".
  11. Loosen the collar ring (F) and let the canopy (E) slip down the chain carefully.
  12. Twist the power supply and ground wire together and push through the center hole of the collar loop (D).
  13. Connect the fixture ground (bare) wire with the ground wire from the junction box using wire nut (A). If your house does not have ground wire, then attach this wire to the green grounding screw inside of the junction box.
- IT IS IMPERATIVE THAT THIS FIXTURE BE GROUNDED.



VISUAL COMFORT & Co. Est. 1987

# ASSEMBLY INSTRUCTIONS



## Darlana Large Single Ring Chandelier

Item # CHC 5174

**WE RECOMMEND INSTALLATION OF THIS LIGHTING FIXTURE BE DONE BY A LICENSED ELECTRICIAN.**

**WARNING\*\*\*SWITCH OFF THE MAIN ELECTRICAL SUPPLY FROM THE MAIN FUSE BOX/CIRCUIT BREAKER BEFORE INSTALLATION.**

**INSPECT ITEM CAREFULLY BEFORE ATTEMPTING TO INSTALL. IF THERE IS ANY DAMAGE OR OBVIOUS DEFECT. DO NOT INSTALL.**

**ITEM MAY NOT BE RETURNED ONCE IT HAS BEEN INSTALLED.**

**NOTE: CAREFULLY UNPACK EACH PIECE IN TOP LAYER OF PACKING PRIOR TO REMOVING. RETAIN ALL PACKING MATERIAL UNTIL INSPECTION AND INSTALLATION ARE FINAL.**

14. Connect the fixture Neutral wire (ribbed) with the neutral wire (usually white) from the junction box using wire nut (A).
15. Connect the fixture Hot wire (smooth, marks with words) with the hot wire (usually black) from the junction box using wire nut (A).  
DO NOT REVERSE THE HOT AND NEUTRAL CONNECTIONS OR SAFETY WILL BE COMPROMISED.
16. Tuck these wire connections neatly into the junction box to secure.
17. Put canopy (E) flush to the ceiling, and secure with collar ring (F).
18. Insert bulbs (not included) into the sockets.
19. Installation is complete, turn on power at fuse or circuit breaker.

\*\*\*Clean with a dry, soft cloth only. Use no harsh abrasives or chemical agents.

