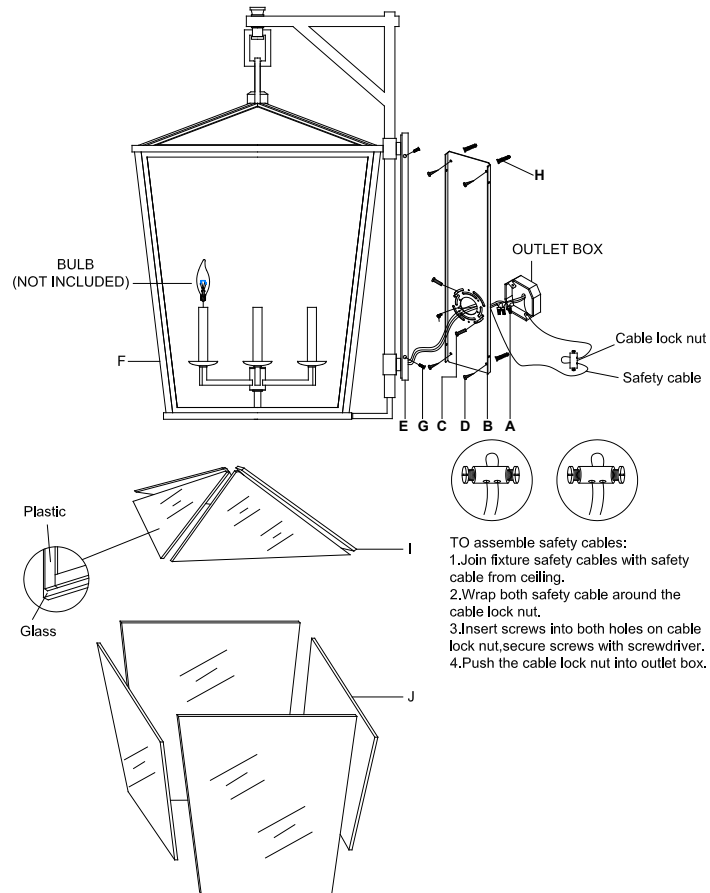


## ASSEMBLY INSTRUCTIONS



## Darlana Large Arm Wall Bracket Lantern

Item # CHO2044

**WE RECOMMEND INSTALLATION OF THIS LIGHTING FIXTURE BE DONE BY A LICENSED ELECTRICIAN.**

**WARNING\*\*\*SWITCH OFF THE MAIN ELECTRICAL SUPPLY FROM THE MAIN FUSE BOX/CIRCUIT BREAKER BEFORE INSTALLATION.**

**INSPECT ITEM CAREFULLY BEFORE ATTEMPTING TO INSTALL. IF THERE IS ANY DAMAGE OR OBVIOUS DEFECT. DO NOT INSTALL.**

**ITEM MAY NOT BE RETURNED ONCE IT HAS BEEN INSTALLED.**

1. Carefully remove all parts from the box.
2. Remove the mounting plate (B) from the backplate by removing the screws (E).
3. Drill 4 holes on the wall and make sure the hole distance will match to the 4 side holes on the mounting plate (B) holes.
4. Knock the 4 anchors (H) to the 4 wall holes and attach the mounting plate (B) to the wall by knock the screws (D) to anchors (H)..
5. Secure the mounting plate (B) on the outlet box of the wall by screws (C).
6. Connect the fixture Neutral wire (WHITE) with the neutral wire from the outlet box using wire nut (A).
7. Connect the fixture Hot (BLACK) wire with the hot wire from the outlet box using wire nut (A).  
DO NOT REVERSE THE HOT AND NEUTRAL CONNECTIONS OR SAFETY WILL BE COMPROMISED.
8. Connect the fixture Ground (bare) wire with the ground wire from the outlet box using wire nut (A). If your house does not have ground wire, then attach this wire to the green grounding screw inside of the outlet box.  
IT IS IMPERATIVE THAT THIS FIXTURE BE GROUNDED.
9. Tuck the wire connections neatly into outlet box.
10. Put the lantern (F) onto the mounting plate (B) and secure with side screw (E).
11. Insert the bulbs (not included).
12. Place glass panels (J) on the frame (F) and screw it by bending the metal tabs.
13. Place glass panels (I) on the frame (F) and screw it by bending the metal tabs, and make sure the glass panels outside with plastic rod.
14. Installation is complete, turn on power at fuse or circuit breaker.

\*\*\*Clean with a dry, soft cloth only. Use no harsh abrasives or chemical agents.

WITH SILLICONE CAULKING COMPOUND, CAULK COMPLETELY AROUND WHERE BACKPLATE MEETS THE WALL SURFACE TO PREVENT WATER FROM SEEPING INTO J-BOX.



VISUAL COMFORT & Co. Est. 1987