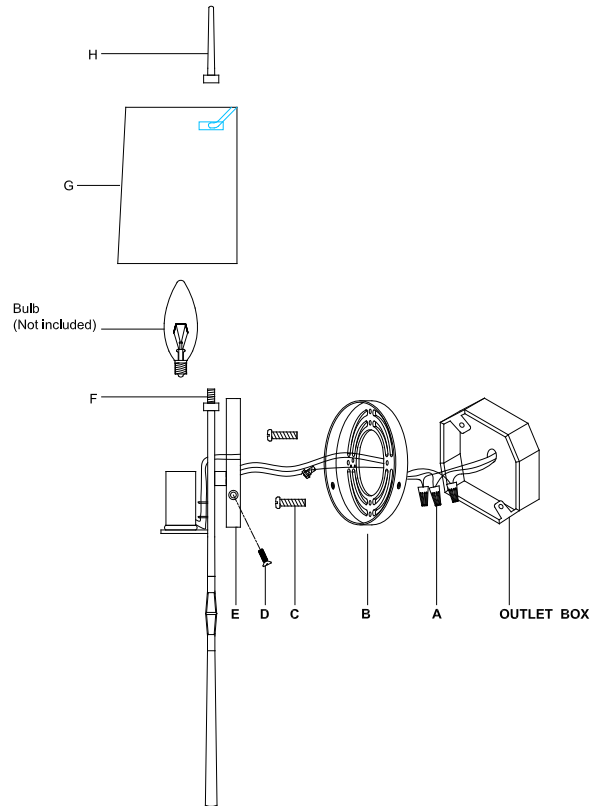


## ASSEMBLY INSTRUCTIONS



## Cranston Small Sconce

Item # S2406

WE RECOMMEND INSTALLATION OF THIS LIGHTING FIXTURE BE DONE BY A LICENSED ELECTRICIAN.

WARNING\*\*\*SWITCH OFF THE MAIN ELECTRICAL SUPPLY FROM THE MAIN FUSE BOX/CIRCUIT BREAKER BEFORE INSTALLATION.

INSPECT ITEM CAREFULLY BEFORE ATTEMPTING TO INSTALL. IF THERE IS ANY DAMAGE OR OBVIOUS DEFECT. DO NOT INSTALL.

ITEM MAY NOT BE RETURNED ONCE IT HAS BEEN INSTALLED.

- 
1. Carefully remove all parts from the box.
  2. Remove the mounting plate (B) from the backplate (E) by loosening the side screws (D).
  3. Attach mounting plate (B) onto the outlet box and secure with mounting screws (C).
  4. Connect the hot wire (BLACK) from the fixture to the hot wire from outlet box. Fasten them together with a plastic wire connector (A) provided.
  5. Repeat this procedure for the neutral wire (WHITE) from the fixture to the neutral wire from the outlet box.  
**DO NOT REVERSE THE HOT AND NEUTRAL CONNECTIONS OR SAFETY WILL BE COMPROMISED.**
  6. Connect ground wire from the fixture (bare copper) to ground wire from the outlet box (usually green or copper in color).  
**IT IS IMPERATIVE THAT THIS FIXTURE BE GROUNDED.**
  7. Attach the backplate (E) to the mounting plate (B) and secure with side screws (D).
  8. Insert bulb (not included) into the socket.
  9. Place shade (G) to the thread (F) and secure with finial (H).
  10. Installation is complete, turn on power at fuse or circuit breaker.

\*\*\*Clean with a dry, soft cloth only. Do not use harsh abrasives or chemical agents.

