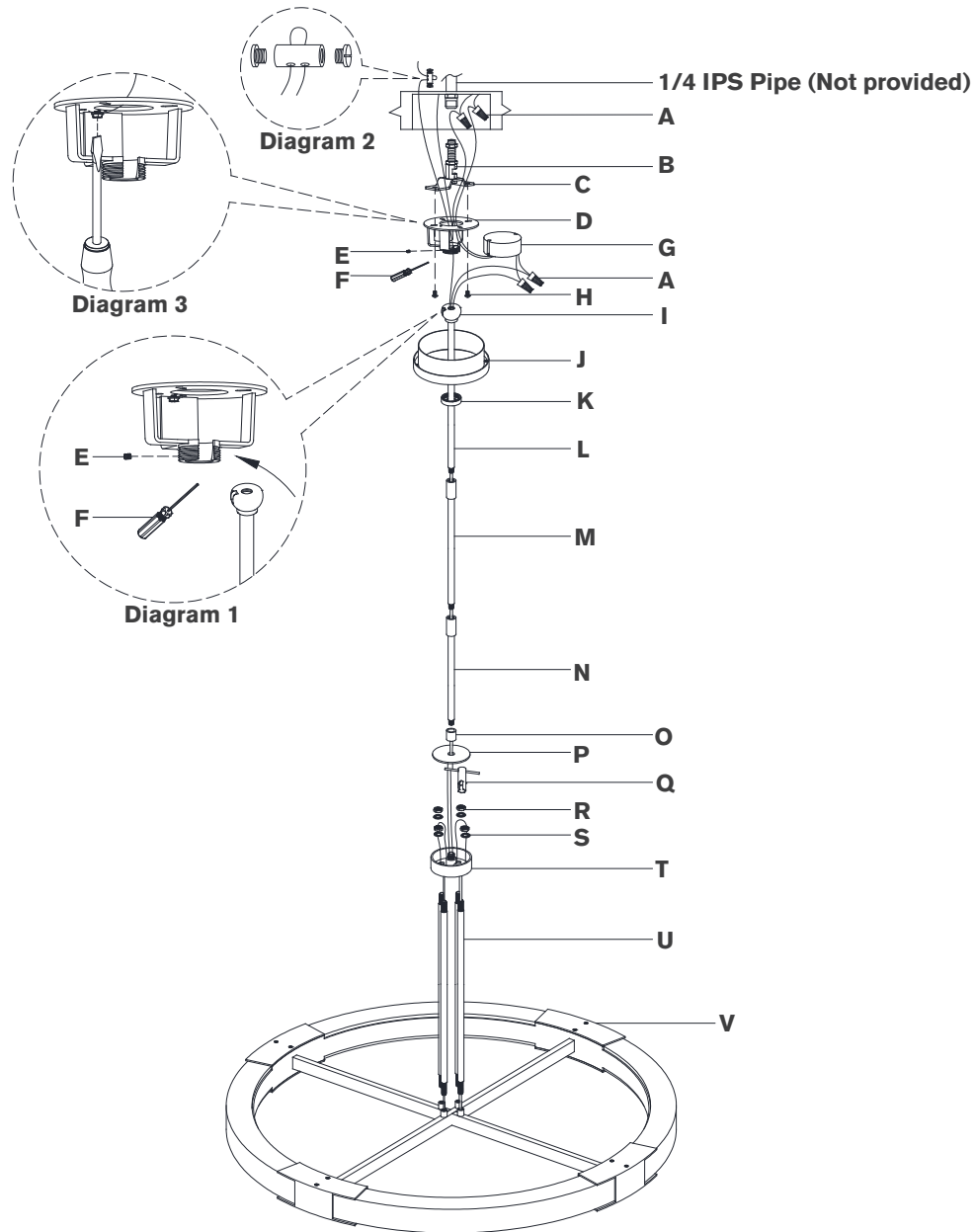


ASSEMBLY INSTRUCTIONS



Covet Large Ring Chandelier

Item # KW 5140

NOTICE:

This light fixture should be installed in accordance with all applicable, local installation codes, and by a person familiar with the construction and operation of it, as well as the hazards involved. Inspect item and contents carefully. If any damage or defect is found, do not install. Retain all packaging material until installation is complete and approved.

TOOLS REQUIRED (NOT INCLUDED):

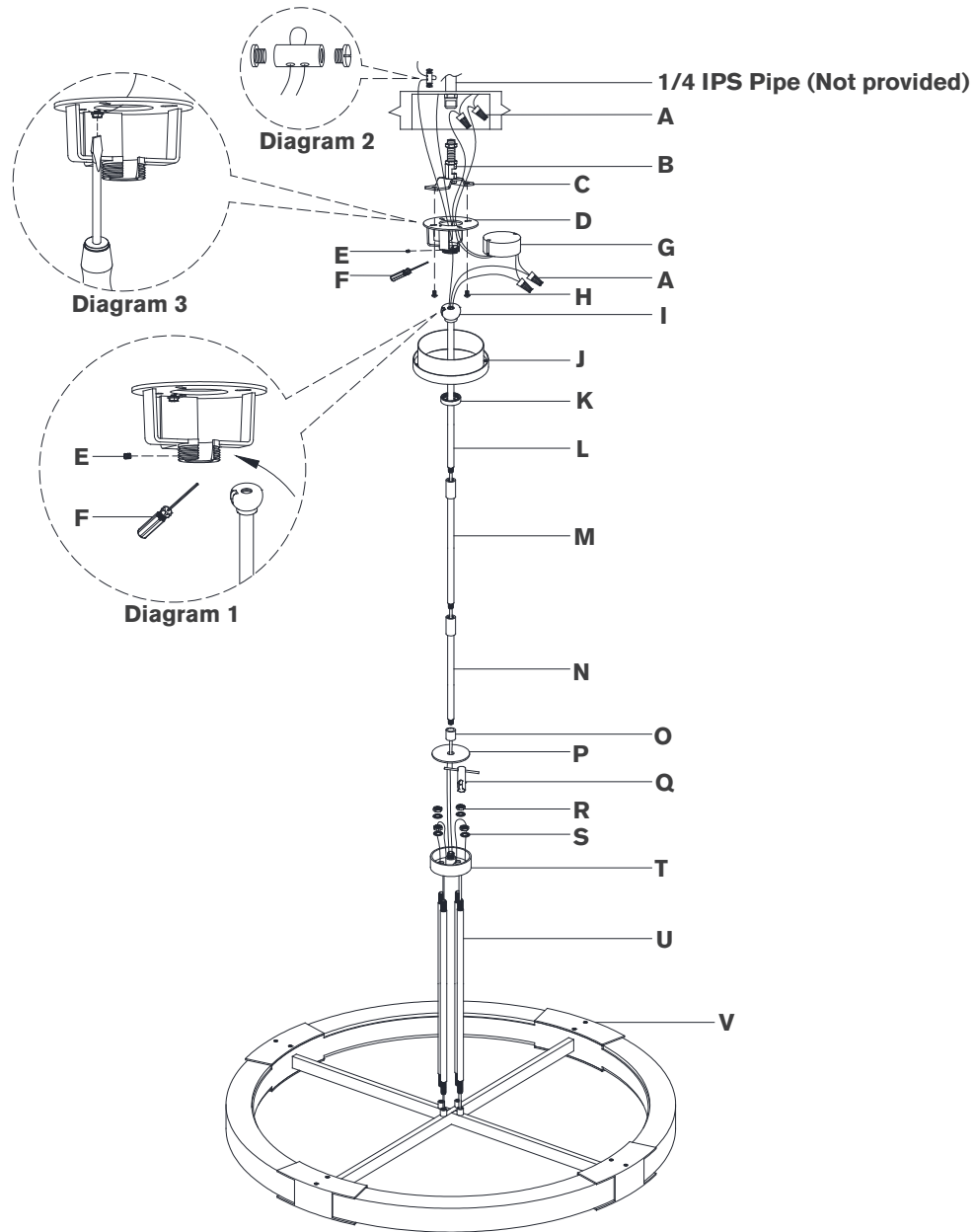
Phillips Screwdriver	Slotted Screwdriver	Wire Cutters
Wire Strippers	Slip-joint pliers	

PERSONS REQUIRED: Two

- Carefully remove all parts from the box. Place on a clean, soft surface.
- Remove mounting plate (**D**) from canopy (**J**) by removing collar ring (**K**).
- Remove mounting bracket (**C**) from mounting plate (**D**) by removing screws (**H**).
- Remove hickey (**B**) from mounting bracket (**C**) by removing hex nut.
- It is recommended to install a 1/4 IPS threaded pipe, secured to a structural member of the building (not included). Then install hickey (**B**) into threaded pipe and tighten with wrench.

NOTE: Item must be supported independent of the junction box due to hanging weight.
- Install nipple to hickey (**B**), then install mounting bracket (**C**) to nipple by tightening locknut.
- Install mounting plate (**D**) to mounting bracket (**C**) and secure with screws (**H**).
- Thread rods (**U**) to fixture body (**V**).
- Let rods (**U**) pass through hub (**T**) and secure with washers (**S**) and hex nuts (**R**) using provided wrench (**Q**).
- Install metal cap (**P**) to hub (**T**) and secure with connector (**O**).

ASSEMBLY INSTRUCTIONS



Covet Large Ring Chandelier

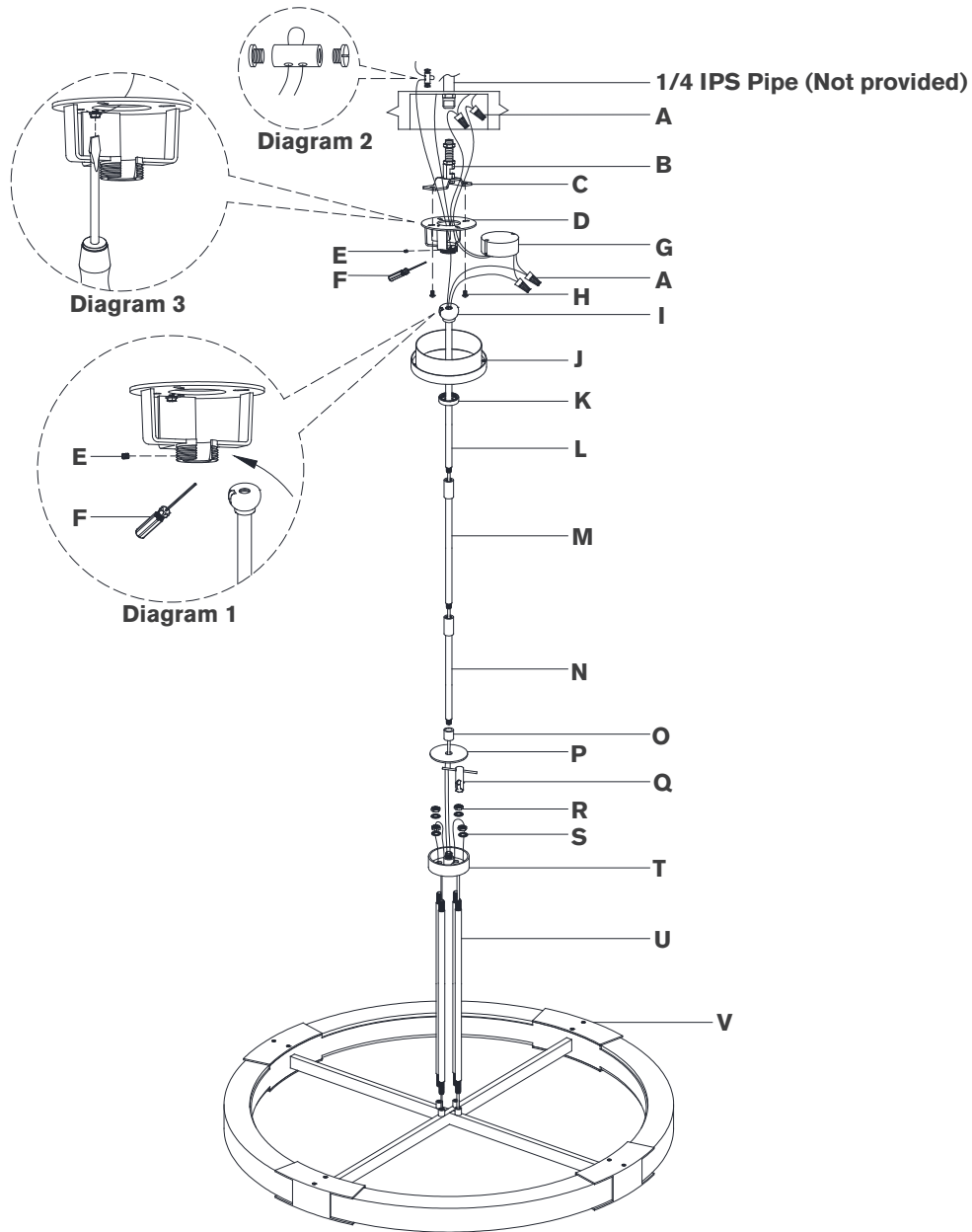
Item # KW 5140

NOTICE:

This light fixture should be installed in accordance with all applicable, local installation codes, and by a person familiar with the construction and operation of it, as well as the hazards involved. Inspect item and contents carefully. If any damage or defect is found, do not install. Retain all packaging material until installation is complete and approved.

11. Feed electrical wires and safety cable through bottom rod (**N**) and thread to connector (**O**). Repeat for middle rod (**M**), connecting to bottom rod (**N**).
12. Continue feeding wires and safety cable through collar ring (**K**), canopy (**J**) and top rod (**L**).
13. Holding fixture upright, slide collar ring (**K**) and canopy (**J**) down bottom rods (**N**) and rest on metal cap (**P**). Then connect rod (**L**) to rod (**M**).
NOTE: Slide components down slowly to avoid damages.
NOTE: It is recommended to have a helper assist in supporting the fixture for steps 14.
14. Hang fixture swivel ball (**I**) to center of mounting plate (**D**) and secure with set screw (**E**) using provided screwdriver (**F**). See diagram 1.
15. Cut excess wires, being sure to leave enough to reach the junction box. Separate wires, and strip insulation on each 5/8".
16. Loosen cable lock and install to end of safety cable. Run safety cable through junction box and around structural member of building. Insert cable through cable lock and tighten the ends with a screwdriver to secure. (See diagram 2)
17. Connect supply ground wire (usually green or bare copper) around the green grounding screw (see diagram 3). Tighten.
NOTE: It is imperative that the fixture is grounded.
18. Connect fixture neutral wire (black) to driver (**G**) output wire (black) using wire nut (**A**).

ASSEMBLY INSTRUCTIONS



Covet Large Ring Chandelier

Item # KW 5140

NOTICE:

This light fixture should be installed in accordance with all applicable, local installation codes, and by a person familiar with the construction and operation of it, as well as the hazards involved. Inspect item and contents carefully. If any damage or defect is found, do not install. Retain all packaging material until installation is complete and approved.

19. Connect fixture hot wire (red) to driver (G) output wire (red) using wire nut (A).
CAUTION: Do not reverse the hot and neutral connections.
20. Connect driver (G) input neutral wire (white) to the supply neutral wire (usually white) using wire nut (A).
21. Connect driver (G) input hot wire (black) to the supply hot wire (usually black) using wire nut (A).
CAUTION: Do not reverse the hot and neutral connections.
22. Make sure all wire connections are tight, then carefully tuck into the junction box.
23. Insert driver (G) into center of mounting plate (D).
24. Install canopy (J) to mounting plate (D) and secure with collar ring (K).

Care Instructions: Clean only with a soft dry cloth or feather duster. Do not use abrasive or chemical agents.