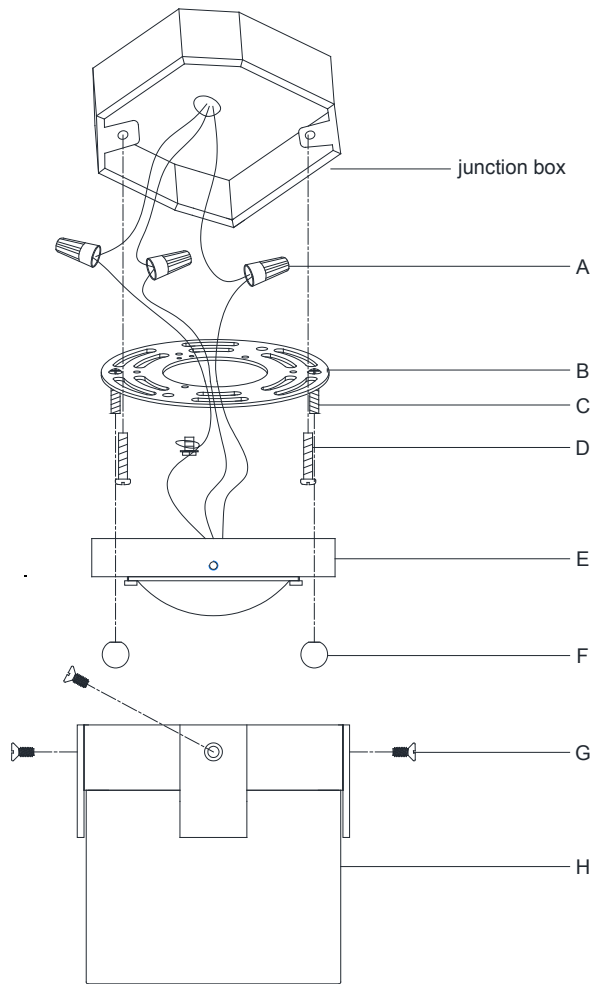


## ASSEMBLY INSTRUCTIONS



## Covet Petite Flush Mount

Item # KW 4112

WE RECOMMEND INSTALLATION OF THIS LIGHTING FIXTURE BE DONE BY A LICENSED ELECTRICIAN.

WARNING\*\*\*SWITCH OFF THE MAIN ELECTRICAL SUPPLY FROM THE MAIN FUSE BOX/CIRCUIT BREAKER BEFORE INSTALLATION.

INSPECT ITEM CAREFULLY BEFORE ATTEMPTING TO INSTALL. IF THERE IS ANY DAMAGE OR OBVIOUS DEFECT. DO NOT INSTALL.

ITEM MAY NOT BE RETURNED ONCE IT HAS BEEN INSTALLED.

NOTE: CAREFULLY UNPACK EACH PIECE IN TOP LAYER OF PACKING PRIOR TO REMOVING. RETAIN ALL PACKING MATERIAL UNTIL INSPECTION AND INSTALLATION ARE FINAL.

1. Carefully remove all parts from the box.
2. Remove the alabaster shade (H) from the canopy (E) by loosening side screws (G).
3. Remove the mounting plate (B) from the canopy (E) by loosening the ball nuts (F).
4. Affix mounting plate (B) onto the junction box and secure with mounting screws (D).
5. Connect ground wire from the fixture (bare copper) to ground wire from the junction box (usually green or copper in color) using wire nut (A).

IT IS IMPERATIVE THAT THIS FIXTURE BE GROUNDED.

6. Connect the neutral wire (WHITE) from the fixture to the neutral wire (White) from the junction box using wire nut (A).
7. Connect the hot wire (BLACK) from the fixture to the hot wire (Black) from the junction box using wire nut (A).

DO NOT REVERSE THE HOT AND NEUTRAL CONNECTIONS OR SAFETY WILL BE COMPROMISED.

8. Attach the canopy (E) to the mounting plate (B), let screws (C) pass through the holes on the canopy (E), then secure with ball nuts (F).
9. Attach the alabaster shade (H) to the canopy (E) and secure with side screws (G).
10. Installation is complete, turn on power at fuse or circuit breaker.

\*\*\*Clean with a dry, soft cloth only. Use no harsh abrasives or chemical agents.