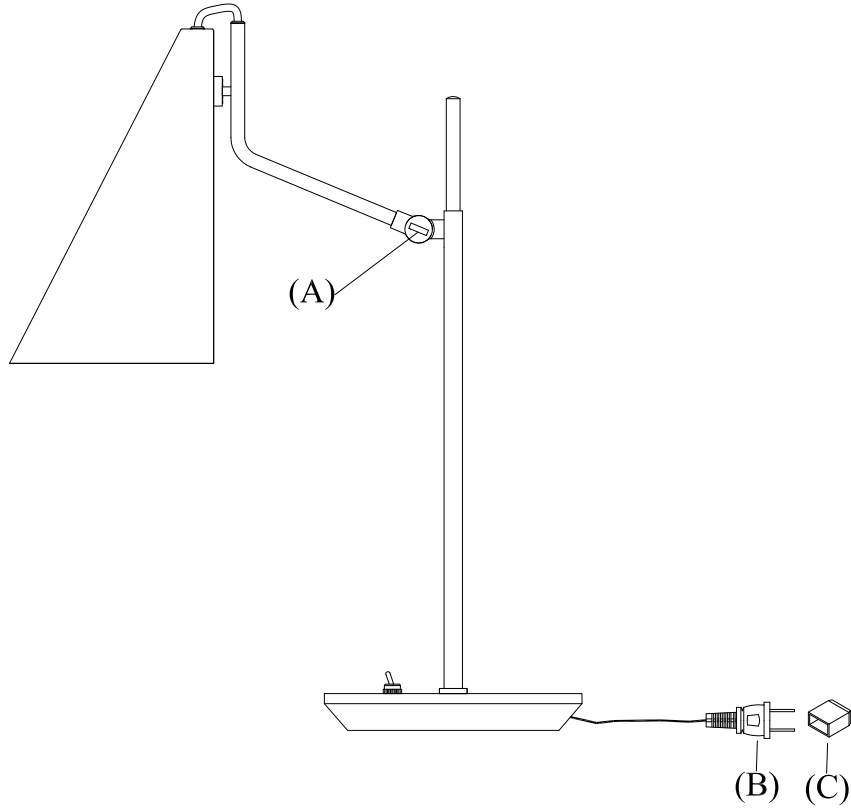


ARN3010

ASSEMBLY & INSTALLATION GUIDE

INSPECT ITEM CAREFULLY BEFORE ATTEMPTING TO INSTALL. IF THERE IS ANY DAMAGE OR OBVIOUS DEFECT, DO NOT INSTALL.

ITEM MAY NOT BE RETURNED ONCE IT HAS BEEN INSTALLED.



1. Insert light bulb into socket.
2. Remove plastic cover (C) from electrical plug (B).
3. Plug lamp into electrical outlet.
4. ADJUSTMENT INSTRUCTIONS
 1. Loosen adjustment key (A).
 2. Adjust lamp by swing lamp shade to desired position.
 3. Tighten adjustment key (A).