

## ASSEMBLY INSTRUCTIONS

### Classic Two-Tier Ring Chandelier

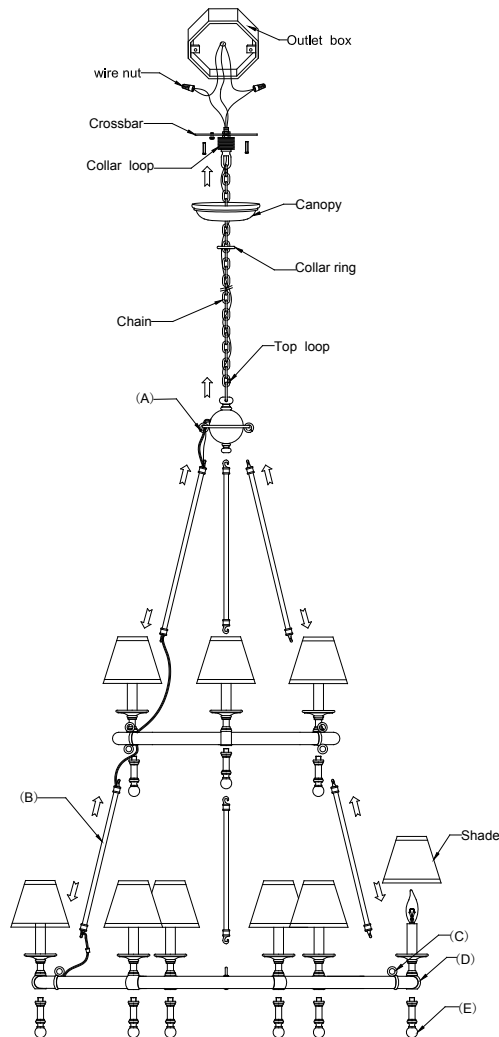
Item # SL5813

**WE RECOMMEND INSTALLATION OF THIS LIGHTING FIXTURE BE DONE BY A LICENSED ELECTRICIAN.**

**WARNING \*\*\* SWITCH OFF THE MAIN ELECTRICAL SUPPLY FROM THE MAIN FUSE BOX/CIRCUIT BREAKER BEFORE INSTALLATION.**

**INSPECT ITEM CAREFULLY BEFORE ATTEMPTING TO INSTALL. IF THERE IS ANY DAMAGE OR OBVIOUS DEFECT, DO NOT INSTALL.**

**ITEM MAY NOT BE RETURNED ONCE IT HAS BEEN INSTALLED.**



1. Carefully hang the pipe (B) into the loop (A) and ring on sample ring.
2. Carefully hang the pipe (B) into the loop (C) on large ring and loop under sample ring.
3. Thread the finial (E) into large ring (D) and sample ring.
4. Loosen the collar ring to release the canopy. Care fully ship the collar ring and canopy down over the chain to rest on the fixture body. Don not scratch the finish.
5. If you are certain that the height of the fixture is correct, cut the wires leaving 12" length from the top of the fixture.
6. Using the proper wire stripper, remove 5/8" of insulation from both fixture wires
7. Carefully attach the nipple and cross bar to the top of the fixture. You do not need to tighten at this time. Be certain to include both lock nuts between the collar and the cross bar. They are very important to installing the fixture.
8. Carefully raise the fixture to the outlet box and attach the cross bar to the outlet box using the appropriate screws. Be very careful not to pinch the wires between the outlet box and cross bar.
9. Install the cross bar to the outlet box in your ceiling using the appropriate screws. Be certain your outlet box is secure and that nothing is loose.
10. Rotate the fixture now to the position desired. Make certain that you do not unscrew the fixture from the cross bar.
11. Once you are certain the fixture is in the proper position, tighten the lock nuts against the collar and cross bar very tightly so that the fixture now cannot be rotated.



## ASSEMBLY INSTRUCTIONS

### Classic Two-Tier Ring Chandelier

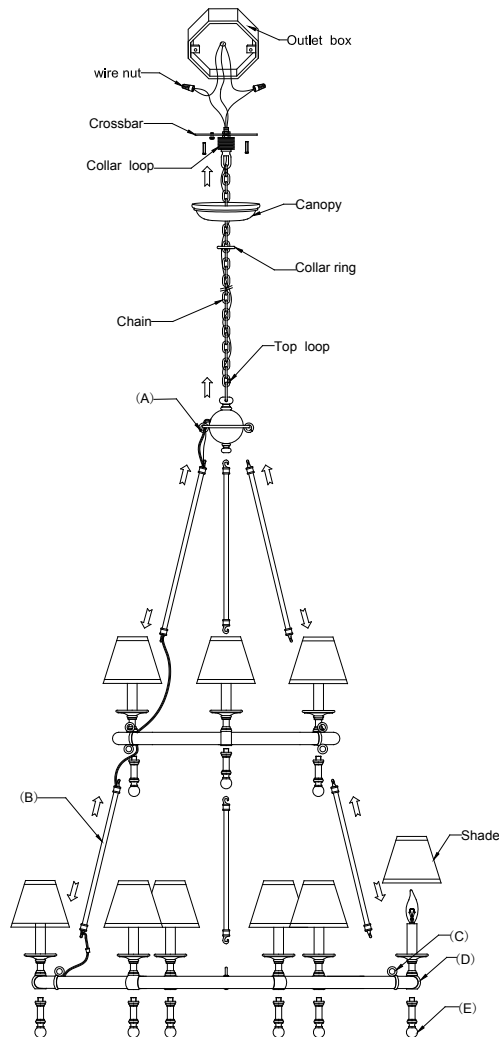
Item # SL5813

**WE RECOMMEND INSTALLATION OF THIS LIGHTING FIXTURE BE DONE BY A LICENSED ELECTRICIAN.**

**WARNING \*\*\* SWITCH OFF THE MAIN ELECTRICAL SUPPLY FROM THE MAIN FUSE BOX/CIRCUIT BREAKER BEFORE INSTALLATION.**

**INSPECT ITEM CAREFULLY BEFORE ATTEMPTING TO INSTALL. IF THERE IS ANY DAMAGE OR OBVIOUS DEFECT, DO NOT INSTALL.**

**ITEM MAY NOT BE RETURNED ONCE IT HAS BEEN INSTALLED.**



12. Connect the Neutral (ribbed edge, no markings, or white) fixture wire with the Neutral (usually white) wire from your outlet box using the appropriate wire connector and wrap with electrical tape.
13. Connect the Hot (smooth edge, markings, or black) fixture wire with the Hot (usually black) wire from your outlet box using the appropriate wire connector and wrap with electrical tape.
14. Connect the Ground (bare) fixture wire with the ground (usually bare) wire from your outlet box.  
**\*\*IT IS IMPERATIVE THAT THIS FIXTURE BE GROUNDED\*\***
15. Tuck these wire connections neatly into the ceiling junction box.
16. Raise the lock collar and thread onto ceiling loop protruding through canopy.
17. Install the light bulbs (NOT INCLUDED) into sockets
18. Put shades onto the bulbs.

