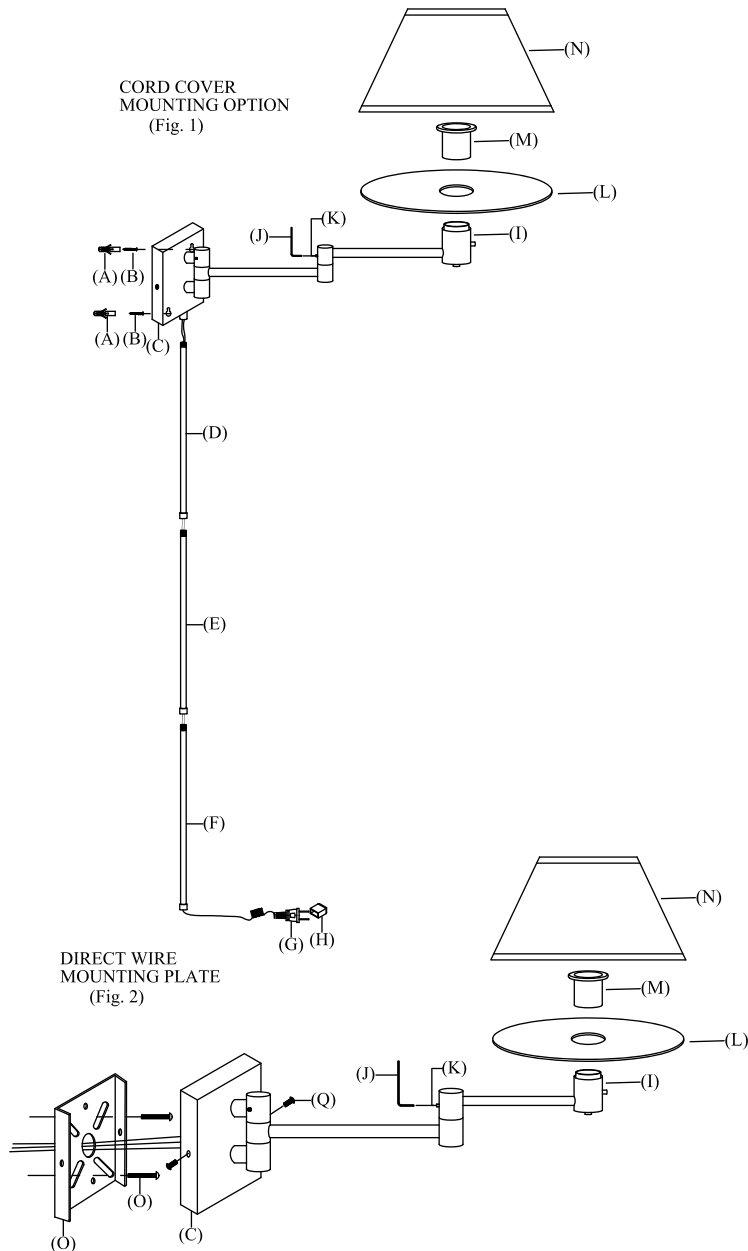


## ASSEMBLY INSTRUCTIONS



## Classic Swing Arm Wall Lamp

Item # 92000D

**WE RECOMMEND INSTALLATION OF THIS LIGHTING FIXTURE BE DONE BY A LICENSED ELECTRICIAN.**

**WARNING \*\*\* SWITCH OFF THE MAIN ELECTRICAL SUPPLY FROM THE MAIN FUSE BOX/CIRCUIT BREAKER BEFORE INSTALLATION. INSPECT ITEM CAREFULLY BEFORE ATTEMPTING TO INSTALL. IF THERE IS ANY DAMAGE OR OBVIOUS DEFECT, DO NOT INSTALL. ITEM MAY NOT BE RETURNED ONCE IT HAS BEEN INSTALLED.**

CORD COVER ASSEMBLY (See Fig. 1)

1. Screw threaded nipple of cord cover (D) into bottom threaded opening of back plate (C). Thread cord cover (E) into cord cover (D), thread cord cover (F) into cord cover (E) and hand tighten.
2. Measure center points between both mounting holes at back back plate (C). Mark two points with same distance on the wall, make sure they are vertical with each other. Drill small holes at both points, each hole should be big enough to be accommodated with plastic anchors (A). Install plastic anchors (A) into the holes in the wall.
3. Insert mounting screws (B) into plastic anchors (A), make sure screw head 1/8 threads are visible.
4. Hook back plate (C) onto both screws (B).
5. Pull out diffuser ring (M) from socket housing (I) by pulling up of the diffuser ring (I).
6. Place diffuser (L) onto top of socket housing (I), replace diffuser ring (M) to socket housing (I) to secure (L) to (I).
7. Insert the specified light bulb into socket.
8. Place shade (N) on shade diffuser (L) and snap into place inside lower ring on shade (N).
9. Remove plastic cover (H) from plug. Plug lamp into wall outlet.

DIRECT WIRE INSTALLATION (See Fig. 2)

We strongly recommend that a professional electrician install the fixture.

1. Guide wiring from wall outlet through center hole on mounting plate (O). Affix mounting plate (O) to wall outlet box with mounting screws (P) provided.
2. Cut fixture cord twelve inches away from back plate (C) and remove by grasping plug (G) and pulling out of cord cover (D, E & F).
3. Connect the ground wire (green color) of the fixture to the bare copper ground wire in the outlet box. The insulation on the fixture cord that was cut twelve inches in length in step 2 has a smooth side and a ribbed side. Connect the smooth wire to the black wire in the outlet box. Connect the ribbed wire to the white wire in the outlet box. (not shown in diagram)
4. Attach back plate (C) to the affixed mounting plate (O) and secure with screws (Q).
5. Repeat the step 6.7.8.9 of cord cover assembly.

ADJUSTMENT INSTRUCTIONS

1. Loosen adjustment screw (K) with wrench (J) provided.
2. Adjust lamp arm to desired position.
3. Tighten the adjustment screw (K) with wrench (J) provided.

\*\*\* Clean with a dry, soft cloth only. Use no harsh abrasives or chemical agents.