

# ASSEMBLY INSTRUCTIONS

## Caddo Medium Linear Lantern

Item # JN 5023

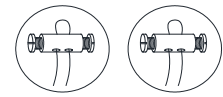
WE RECOMMEND INSTALLATION OF THIS LIGHTING FIXTURE BE DONE BY A LICENSED ELECTRICIAN.

**WARNING\*\*\*SWITCH OFF THE MAIN ELECTRICAL SUPPLY FROM THE MAIN FUSE BOX/CIRCUIT BREAKER BEFORE ATTEMPTING TO INSTALL.**

**INSPECT ITEM CAREFULLY BEFORE ATTEMPTING TO INSTALL. IF THERE IS ANY DAMAGE OR OBVIOUS DEFECT. DO NOT INSTALL.**

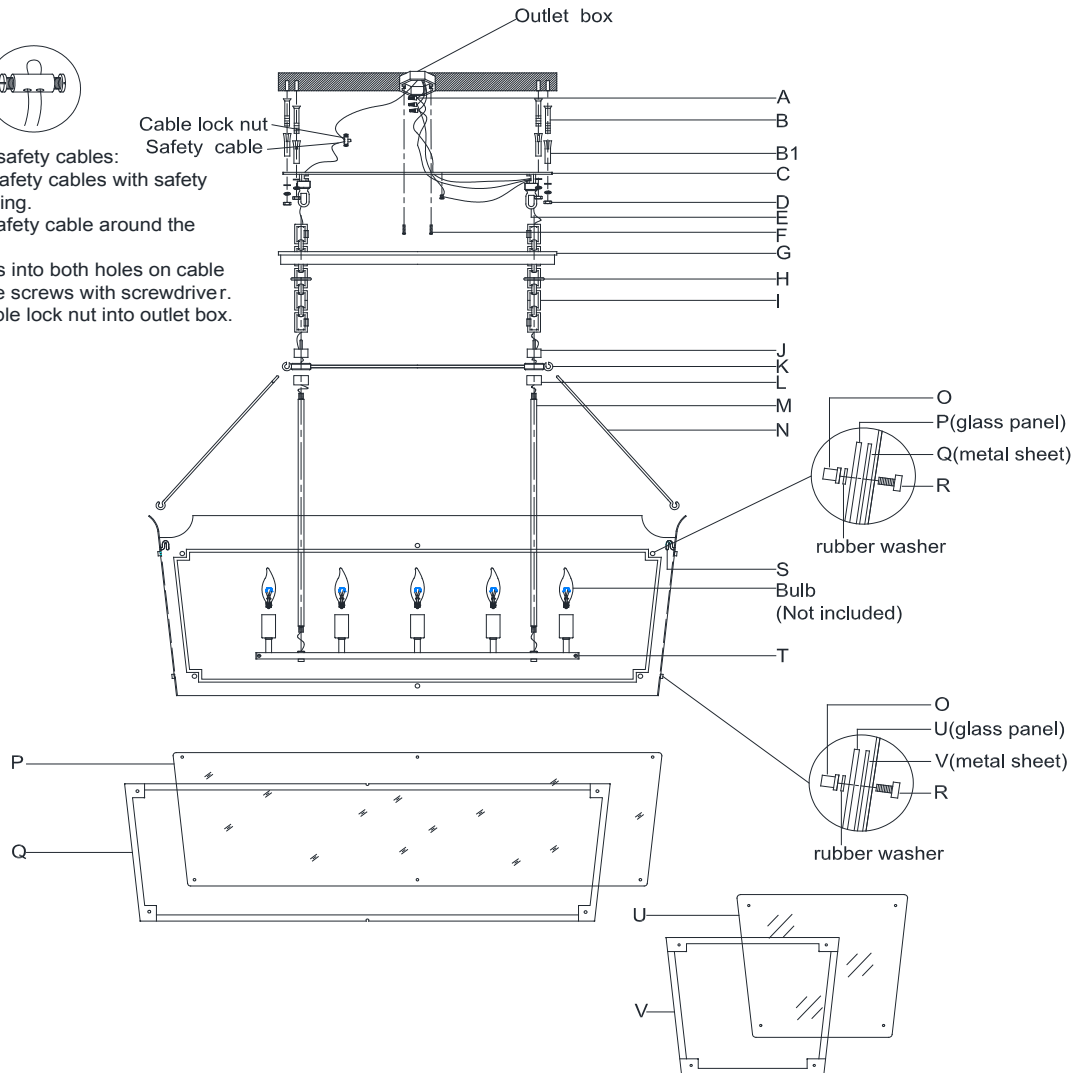
**ITEM MAY NOT BE RETURNED ONCE IT HAS BEEN INSTALLED.**

**NOTE: CAREFULLY UNPACK EACH PIECE IN TOP LAYER OF PACKING PRIOR TO REMOVING. RETAIN ALL PACKING MATERIAL UNTIL INSPECTION AND INSTALLATION ARE FINAL.**



TO assemble safety cables:

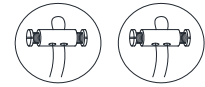
1. Join fixture safety cables with safety cable from ceiling.
2. Wrap both safety cable around the cable lock nut.
3. Insert screws into both holes on cable lock nut, secure screws with screwdriver.
4. Push the cable lock nut into outlet box.



1. Carefully remove all parts from the box.
2. Thread the rod (M) to the top of the light component (T).
3. Attach the connector (L), hook component (K) to the rod (M) and secure with top ring (J).
4. Attach the metal sheet (Q) and glass panel (P) to the metal frame (S) and secure with rubber washer and nut (O & R).
5. Attach the metal sheet (V) and glass panel (U) to the metal frame (S) and secure with rubber washer and nut (O & R).
6. Hang the rod (N) one end to the hook component (K), one end to the metal frame (S).
7. Put the mounting plate (C) on the ceiling and mark the holes position with pencil.
8. Drill 4 holes on the ceiling and knock the expansion pipes (B1) and screws (B) onto the ceiling holes and make sure they are flat.
9. Install the mounting plate (C) with ceiling loop (E) to the outlet box by mounting screws (F) provided, then secure the screws (B) by mounting nuts (D) provided.
10. With the fixture desired height, shorten the chain (I) as needed using a pair of chain pliers.
11. Open the chain quick link, then attach the chain quick link to the top ring (J). Secure the chain quick link.
12. Let collar ring (H) and canopy (G) go through the chain (I).
13. Open the chain quick link, then attach the chain quick link to the ceiling loop (E). Secure the chain quick link.
14. Weave the power supply cord and the ground wire through the chain (I).

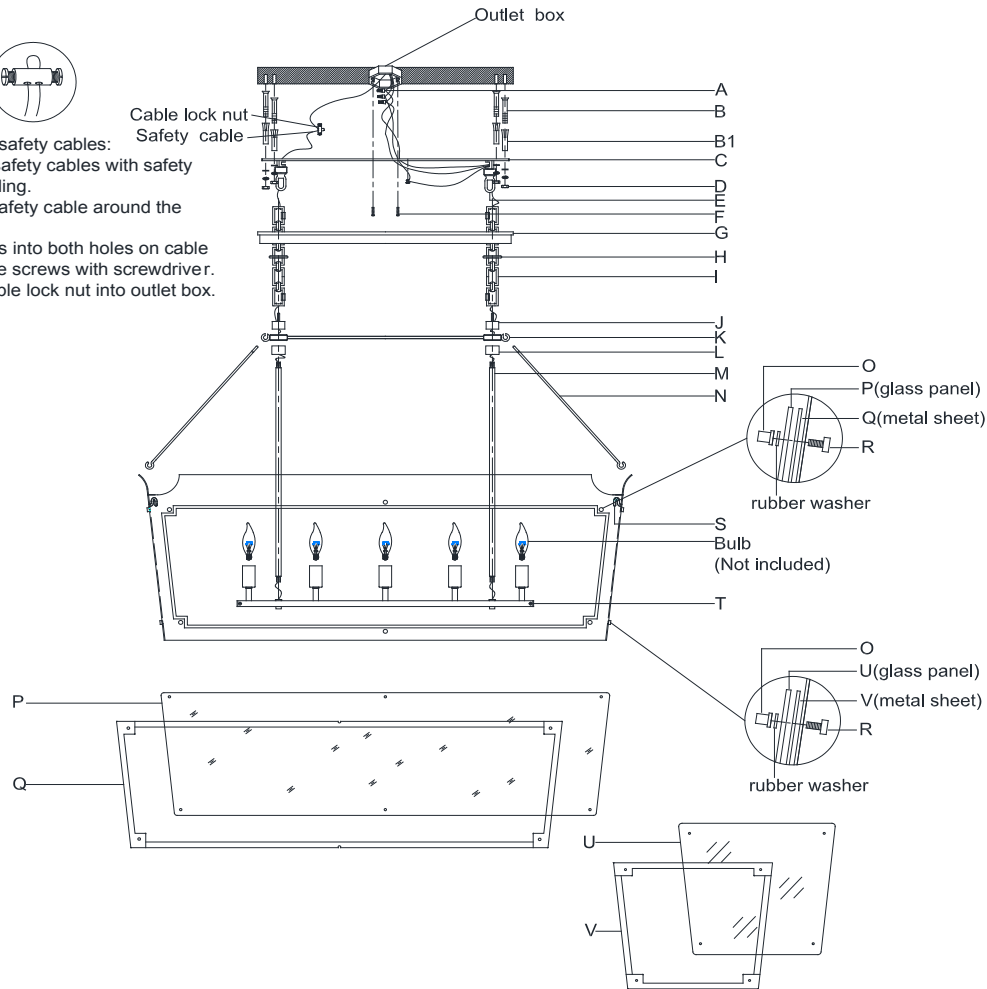


# ASSEMBLY INSTRUCTIONS



**TO assemble safety cables:**

1. Join fixture safety cables with safety cable from ceiling.
2. Wrap both safety cable around the cable lock nut.
3. Insert screws into both holes on cable lock nut, secure screws with screwdriver.
4. Push the cable lock nut into outlet box.



## Caddo Medium Linear Lantern

Item # JN 5023

**WE RECOMMEND INSTALLATION OF THIS LIGHTING FIXTURE BE DONE BY A LICENSED ELECTRICIAN.**

**WARNING\*\*\*SWITCH OFF THE MAIN ELECTRICAL SUPPLY FROM THE MAIN FUSE BOX/CIRCUIT BREAKER BEFORE INSTALLATION.**

**INSPECT ITEM CAREFULLY BEFORE ATTEMPTING TO INSTALL. IF THERE IS ANY DAMAGE OR OBVIOUS DEFECT. DO NOT INSTALL.**

**ITEM MAY NOT BE RETURNED ONCE IT HAS BEEN INSTALLED.**

**NOTE: CAREFULLY UNPACK EACH PIECE IN TOP LAYER OF PACKING PRIOR TO REMOVING. RETAIN ALL PACKING MATERIAL UNTIL INSPECTION AND INSTALLATION ARE FINAL.**

15. When you reach the canopy and ceiling loop, measure the wires then cut. Be certain to leave enough length to connect inside of the outlet box.
16. Strip the insulation back on the two power supply wires about 5/8".
17. Twist the power supply and ground wire together and push through the center hole of the ceiling loop (E).
18. Connect the fixture Ground (bare) wire with the ground wire from the outlet box using wire nut (A). If your house does not have ground wire, then attach this wire to the green grounding screw inside of the outlet box.  
  
IT IS IMPERATIVE THAT THIS FIXTURE BE GROUNDED.
19. Connect the fixture Neutral wire (ribbed) with the neutral wire (White) from the outlet box using wire nut (A).
20. Connect the fixture Hot wire (smooth, marks with words) with the hot wire (Black) from the outlet box using wire nut (A).  
  
DO NOT REVERSE THE HOT AND NEUTRAL CONNECTIONS OR SAFETY WILL BE COMPROMISED.
21. Tuck these wire connections neatly into the outlet box to secure.
22. Put canopy (G) to the ceiling and secure with collar ring (H).
23. Insert bulbs (not included) into the sockets.
24. Installation is complete, turn on power at fuse or circuit breaker.

\*\*\*Clean with a dry, soft cloth only. Use no harsh abrasives or chemical agents.

