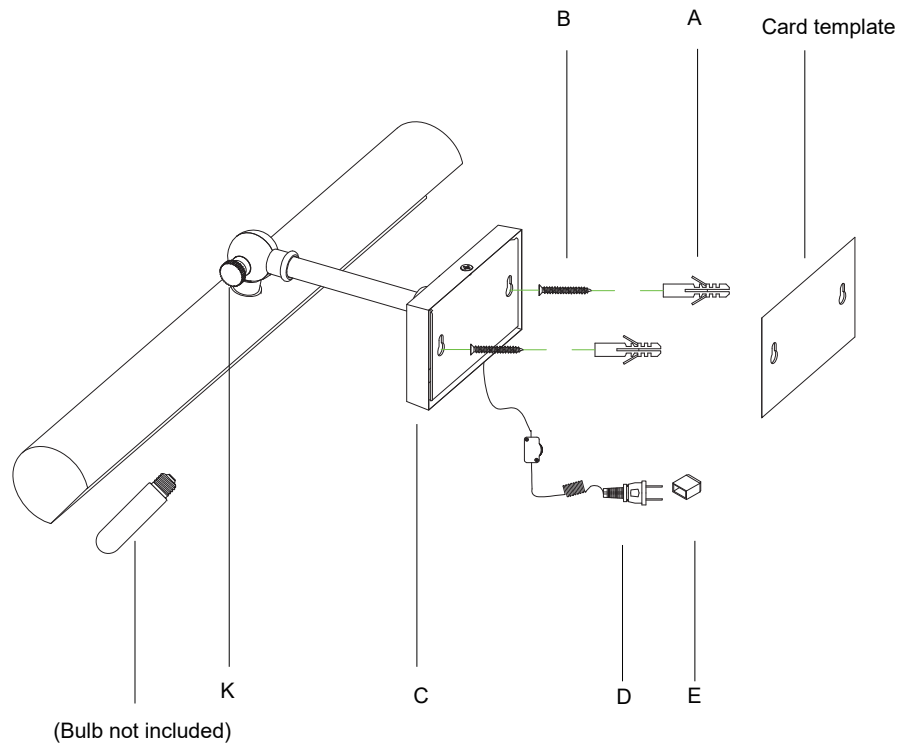


ASSEMBLY INSTRUCTIONS

Portable assembly



8" Cabinet Maker's Picture Light

Item # SL 2704

INSPECT ITEM CAREFULLY BEFORE ATTEMPTING TO INSTALL. IF THERE IS ANY DAMAGE OR OBVIOUS DEFECT. DO NOT INSTALL.

ITEM MAY NOT BE RETURNED ONCE IT HAS BEEN INSTALLED.

NOTE: CAREFULLY UNPACK EACH PIECE IN TOP LAYER OF PACKING PRIOR TO REMOVING. RETAIN ALL PACKING MATERIAL UNTIL INSPECTION AND INSTALLATION ARE FINAL.

1. Carefully remove all parts from the box.
2. Put the card template to the desired location and mark the key hole points on the wall.
3. Remove the card template and drill holes on the wall and insert the anchors (A) into the holes.
4. Insert the wood screws (B) to the anchors (A) and leave the threads 1/8" out.
5. Hook the fixture body (C) to the wood screws (B).
6. Insert bulb (not included) into the socket.
7. To adjust the fixture shade loosen the adjustment knobs (K), adjust to desired position, then lock tight knobs (K).
8. Remove the protective plug cover (E) from the plug (D).
9. Plug into a proper electrical outlet and test the fixture.

***Clean with a dry, soft cloth only. Use no harsh abrasives or chemical agents.

ASSEMBLY INSTRUCTIONS

8" Cabinet Maker's Picture Light

Item # SL 2704

WE RECOMMEND INSTALLATION OF THIS LIGHTING FIXTURE BE DONE BY A LICENSED ELECTRICIAN.

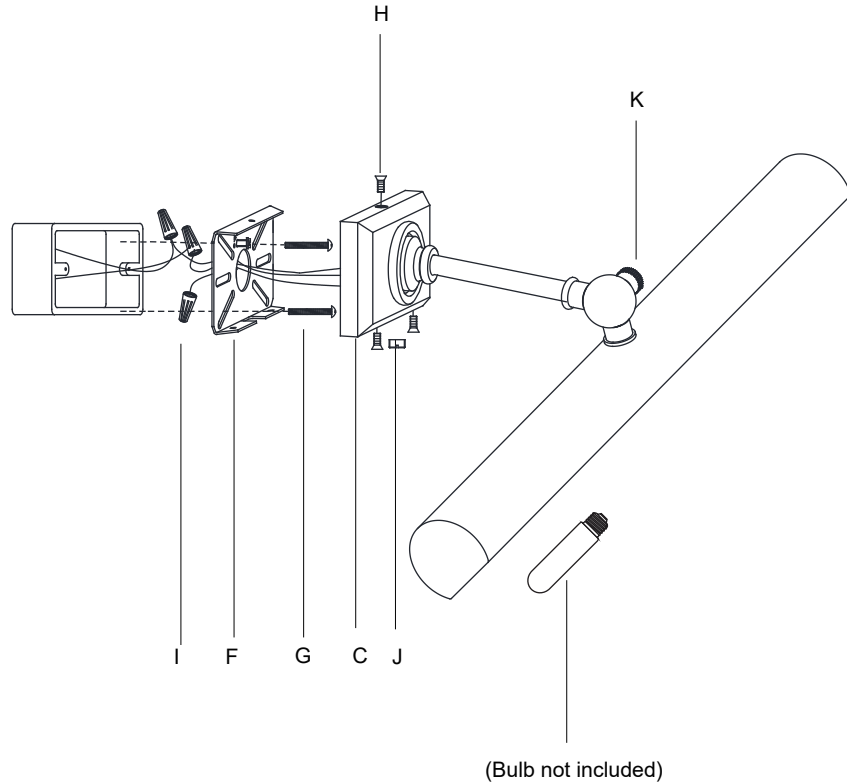
WARNING*SWITCH OFF THE MAIN ELECTRICAL SUPPLY FROM THE MAIN FUSE BOX/CIRCUIT BREAKER BEFORE INSTALLATION.**

INSPECT ITEM CAREFULLY BEFORE ATTEMPTING TO INSTALL. IF THERE IS ANY DAMAGE OR OBVIOUS DEFECT. DO NOT INSTALL.

ITEM MAY NOT BE RETURNED ONCE IT HAS BEEN INSTALLED.

NOTE: CAREFULLY UNPACK EACH PIECE IN TOP LAYER OF PACKING PRIOR TO REMOVING. RETAIN ALL PACKING MATERIAL UNTIL INSPECTION AND INSTALLATION ARE FINAL.

Hardwire assembly



1. Carefully remove all parts from the box.
2. Remove the portable mounting plate from the fixture body (C) by unscrewing the side screws (H).
3. Install the fixed mounting plate (I) to the junction box and secure with the mounting screws (G).
4. Remove the portable cord by loosening the wire nuts (I).
5. Insert the direct wire plug (J) into the wire exit on the bottom of the fixture body (C).
6. Wrap the fixture ground wire to the green ground screw on the mounting plate (F) and secure, then connect to ground wire in the junction box using wire nut (I).
IT IS IMPERATIVE THAT THIS FIXTURE BE GROUNDED.
7. Connect the fixture white wire to neutral wire in the junction box using the wire nut (I)
8. Connect the fixture black wire to hot wire in the junction box using the wire nut (I)
DO NOT REVERSE THE HOT AND NEUTRAL CONNECTIONS OTHERWISE SAFETY WILL BE COMPROMISED.
9. Install the fixture body (C) to the fixed mounting plate (F) and secure with the side screws (H).
10. To adjust the fixture shade loosen the adjustment knobs (K), adjust to desired position, then lock tight knobs (K).
11. Insert bulb (not included) into socket.
12. Installation is complete, turn on power at fuse or circuit breaker.

***Clean with a dry, soft cloth only. Use no harsh abrasives or chemical agents.