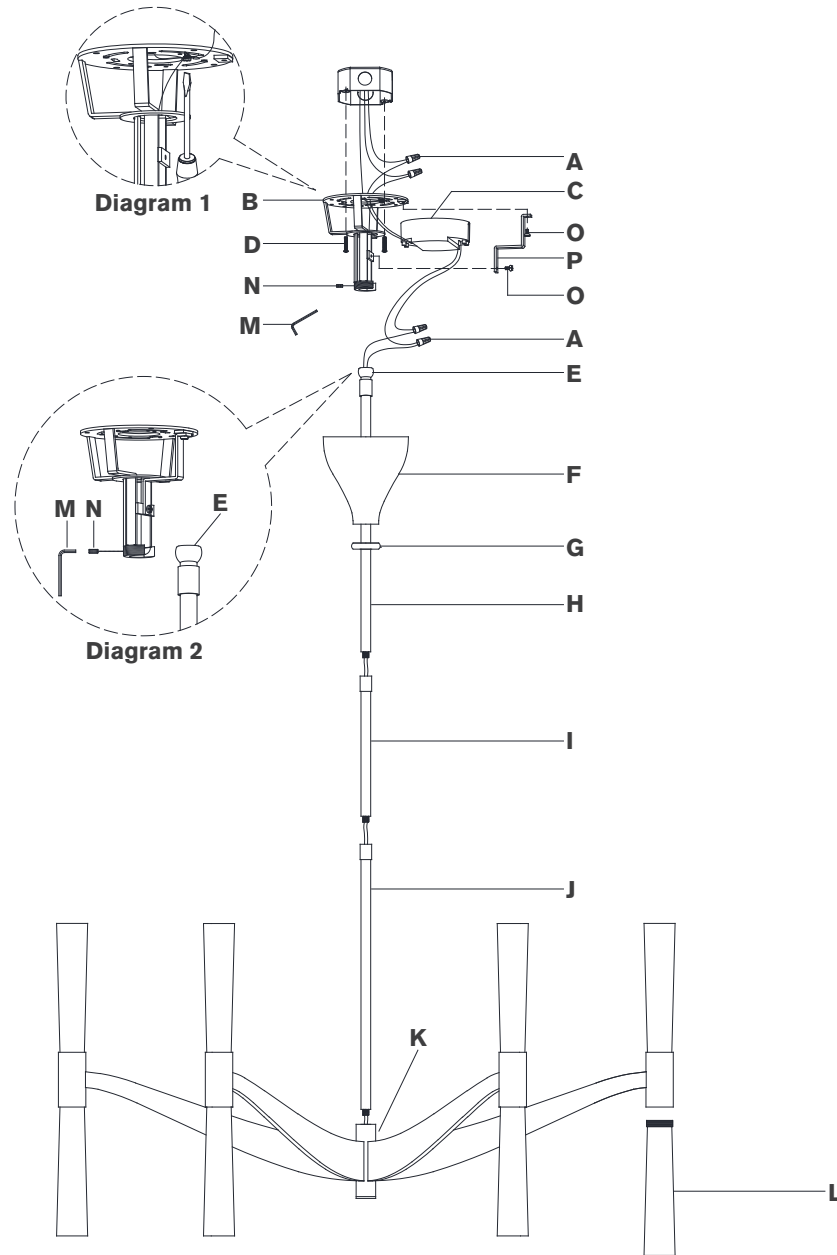


## ASSEMBLY INSTRUCTIONS



## Brenta Extra Large Chandelier

Item # ARN 5470

### NOTICE:

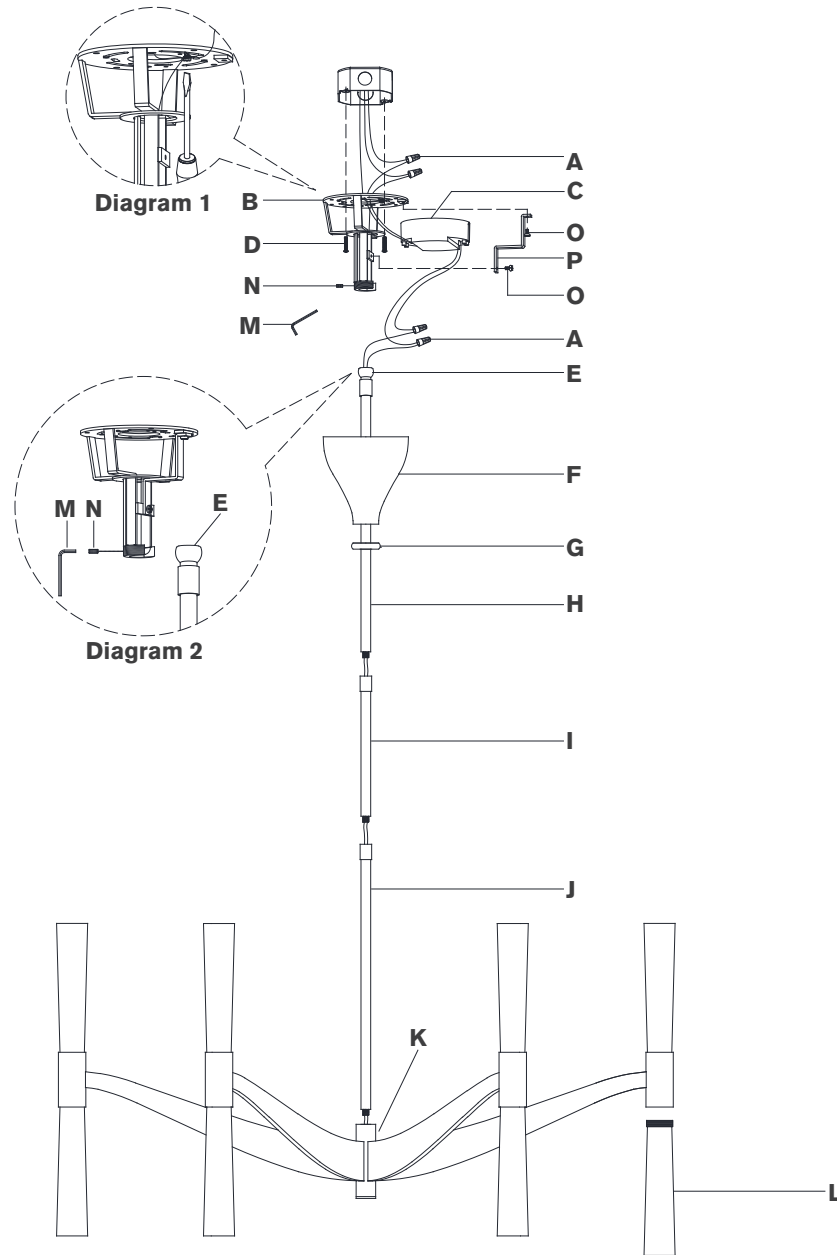
This light fixture should be installed in accordance with all applicable, local installation codes, and by a person familiar with the construction and operation of it, as well as the hazards involved. Inspect item and contents carefully. If any damage or defect is found, do not install. Retain all packaging material until installation is complete and approved.

### TOOLS REQUIRED (NOT INCLUDED):

Phillips Screwdriver      Slotted Screwdriver      Wire Strippers  
Wire Cutters

1. Carefully remove all parts from the box. Place on a clean, soft surface.
2. Remove mounting plate **(B)** from canopy **(F)** by removing collar ring **(G)**.
3. Remove bracket **(P)** from mounting plate **(B)** by unscrewing screws **(O)**.
4. Install mounting plate **(B)** to the junction box and secure with mounting screws **(D)**.
5. Connect supply ground wire (usually green or bare copper) around the green grounding screw (see diagram 1). Tighten.  
**NOTE:** It is imperative that the fixture is grounded.
6. Feed electrical wire through bottom rod **(J)** and connect to fixture **(K)**. Repeat for middle rod **(I)**, connecting to bottom rod **(J)**.
7. Continue feeding wire through collar ring **(G)**, canopy **(F)** and top rod **(H)**.
8. Holding fixture upright, slide collar ring **(G)** and canopy **(F)** down and rest on fixture **(K)**. Then connect top rod **(H)** to middle rod **(I)**.  
**NOTE:** Slide components down slowly to avoid damages.
9. Hang fixture swivel ball **(E)** to the center of mounting plate **(B)** and secure with set screw **(N)** using provided wrench **(M)**. See diagram 2.
10. Cut excess wire, being sure to leave enough to reach the junction box. Separate wire and strip insulation on each 5/8".

## ASSEMBLY INSTRUCTIONS



## Brenta Extra Large Chandelier

Item # ARN 5470

### NOTICE:

This light fixture should be installed in accordance with all applicable, local installation codes, and by a person familiar with the construction and operation of it, as well as the hazards involved. Inspect item and contents carefully. If any damage or defect is found, do not install. Retain all packaging material until installation is complete and approved.

11. Connect driver **(C)** input neutral wire (white) to the supply neutral wire (usually white) using wire nut **(A)**.
12. Connect driver **(C)** input hot wire (black) to the supply hot wire (usually black) using wire nut **(A)**.

**CAUTION:** Do not reverse the hot and neutral connections.

13. Connect fixture neutral wire (black) to driver **(C)** output wire (black) using wire nut **(A)**.
14. Connect fixture hot wire (red) to driver **(C)** output wire (red) using wire nut **(A)**.

**CAUTION:** Do not reverse the hot and neutral connections.

15. Make sure all wire connections are tight, then carefully tuck into the junction box.
16. Insert driver **(C)** into mounting plate bracket.
17. Install bracket **(P)** to mounting plate **(B)** and secure with screws **(O)**.
18. Install canopy **(F)** to mounting plate **(B)** and secure with collar ring **(G)**.
19. Thread shades **(L)** to fixture **(K)**.

**NOTE:** Do not over-tighten otherwise shade could become damaged.

**Care Instructions:** Clean only with a soft dry cloth or feather duster. Do not use abrasive or chemical agents.