

# SL5001

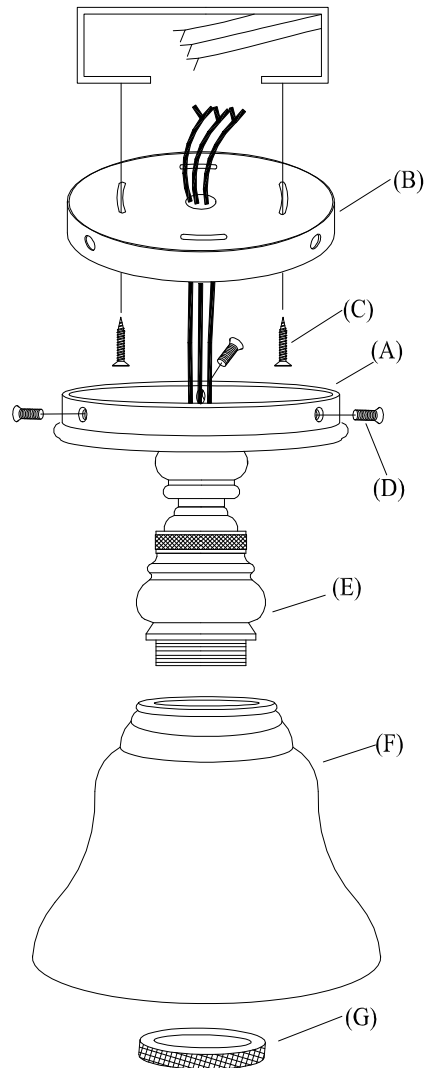
## ASSEMBLY & INSTALLATION GUIDE

**WE RECOMMEND INSTALLATION OF THIS LIGHTING FIXTURE BE DONE BY A LICENSED ELECTRICIAN.**

**WARNING \*\*\* SWITCH OFF THE MAIN ELECTRICAL SUPPLY FROM THE MAIN FUSE BOX/CIRCUIT BREAKER BEFORE INSTALLATION.**

**INSPECT ITEM CAREFULLY BEFORE ATTEMPTING TO INSTALL. IF THERE IS ANY DAMAGE OR OBVIOUS DEFECT, DO NOT INSTALL.**

**ITEM MAY NOT BE RETURNED ONCE IT HAS BEEN INSTALLED.**



1. Remove back plate (B) from base (A), unscrew base screws (D) and set aside.
2. Connect the neutral wire from the fixture (white) to the neutral junction box wire from the outlet box (usually white). Fasten them together with a plastic wire connector provided and wrap connection with electrical tape.
3. Repeat this procedure for the BLACK hot wire from the light fixture to the hot wire from the outlet box (usually black).
4. Connect the ground wire from the light fixture (bare copper wire) to the ground wire from the outlet box.
5. Attach the back plate (B) to the outlet box and tighten it with screws provided (C)
6. Replace the base fixture (A) to the back plate (B), tighten it with base screws (D).
7. Remove socket ring (G) from socket (E).
8. Attach shade (F) onto top of socket (E) and tighten it with socket ring (G).
9. Insert light bulb into socket.