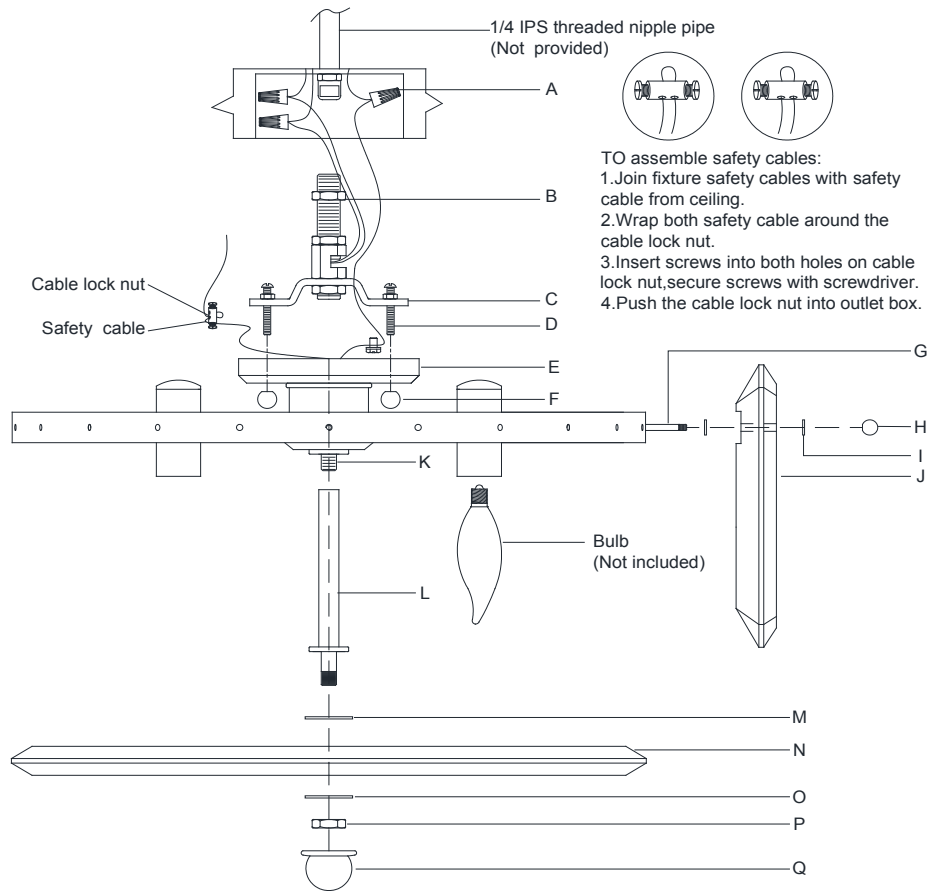


ASSEMBLY INSTRUCTIONS



TO assemble safety cables:
 1. Join fixture safety cables with safety cable from ceiling.
 2. Wrap both safety cable around the cable lock nut.
 3. Insert screws into both holes on cable lock nut, secure screws with screwdriver.
 4. Push the cable lock nut into outlet box.

Bonnington Medium Flush Mount

Item # ARN 4125

WE RECOMMEND INSTALLATION OF THIS LIGHTING FIXTURE BE DONE BY A LICENSED ELECTRICIAN.

WARNING*SWITCH OFF THE MAIN ELECTRICAL SUPPLY FROM THE MAIN FUSE BOX/CIRCUIT BREAKER BEFORE INSTALLATION.**

INSPECT ITEM CAREFULLY BEFORE ATTEMPTING TO INSTALL. IF THERE IS ANY DAMAGE OR OBVIOUS DEFECT. DO NOT INSTALL.

ITEM MAY NOT BE RETURNED ONCE IT HAS BEEN INSTALLED.

NOTE: CAREFULLY UNPACK EACH PIECE IN TOP LAYER OF PACKING PRIOR TO REMOVING. RETAIN ALL PACKING MATERIAL UNTIL INSPECTION AND INSTALLATION ARE FINAL.

- Carefully remove all parts from the box.
- Provide a 1/4" IPS pipe with one end securely mounted to a beam or a structural member. The other end should protrude through the center of the outlet box as shown.
- Install the threaded nipple (B) into the support pipe and adjust overall length to allow the canopy flush to the ceiling.
- Connect ground wire from the fixture (bare copper) to ground wire from the outlet box (usually green or copper in color) using wire nut (A).
IT IS IMPERATIVE THAT THIS FIXTURE BE GROUNDED.
- Connect the neutral wire (WHITE) from the fixture to the neutral wire (White) from the outlet box using wire nut (A).
- Connect the hot wire (BLACK) from the fixture to the hot wire (Black) from the outlet box using wire nut (A).
DO NOT REVERSE THE HOT AND NEUTRAL CONNECTIONS OR SAFETY WILL BE COMPROMISED.
- Attach the canopy (E) onto the mounting plate (C), let screws (D) pass through the holes on the canopy (E), then secure with ball nuts (F).
- Loosen the ball nuts (H) and remove one of the rubber washer (I).
- Attach the crystal bars (J) to the rods (G) and secure with plastic washer (I) and ball nut (H).
- Insert bulbs (not included) into the sockets.
- Thread the tube (L) to the nipple (K), then attach the plastic washer (M), crystal diffuser (N) to the tube (L) and secure with plastic washer (O), lock nut (P) and finial (Q).
If you do not need the crystal diffuser (N), you can thread the finial (Q) to the nipple (K).
- Installation is complete, turn on power at fuse or circuit breaker.

***Clean with a dry, soft cloth only. Use no harsh abrasives or chemical agents.

